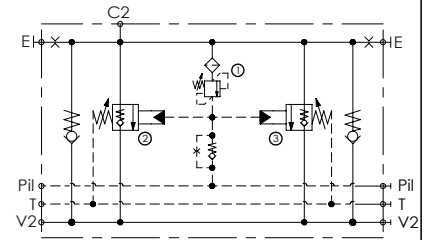
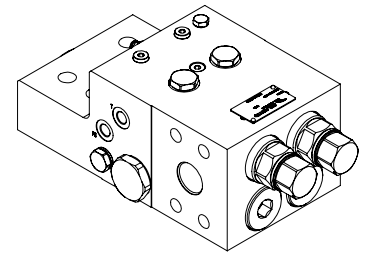
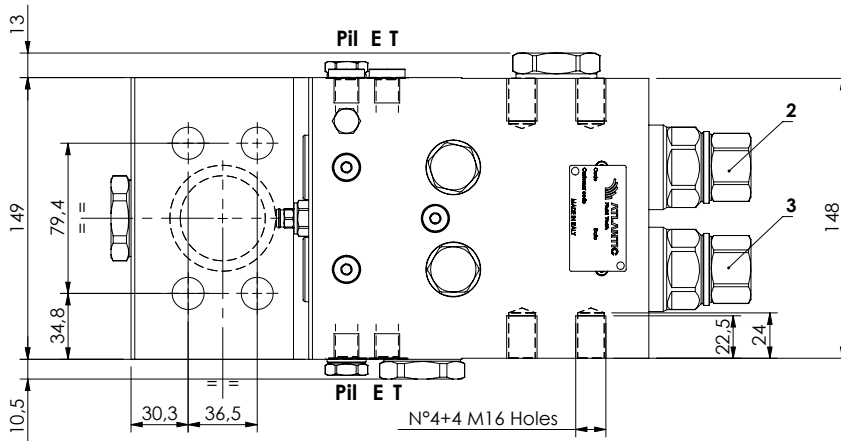
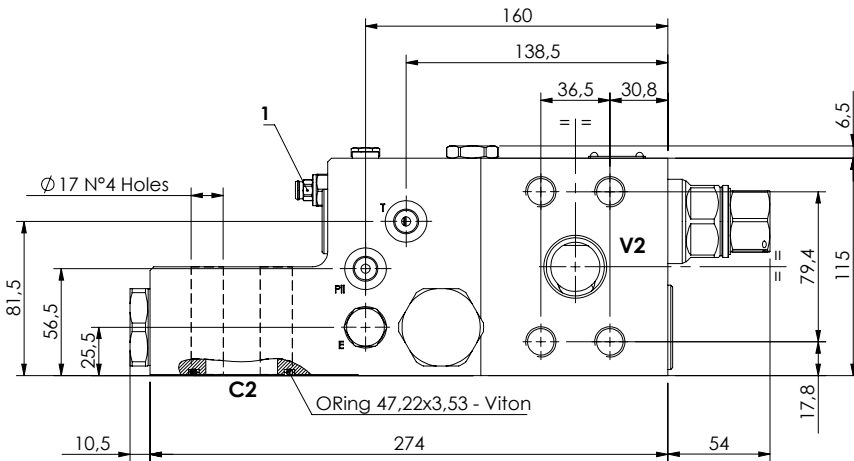


CHECK AND METERING VALVE

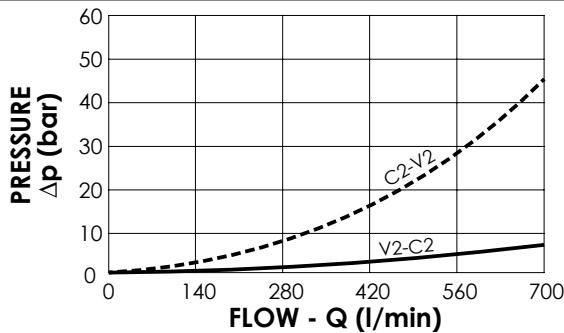
**MLST-700-AAGN**

FLANGED TYPE  
1" 1/2 SAE 6000



**SPECIFICATIONS**

Max. operating pressure:	420 bar
Rated flow:	700 l/min
Manifold:	Steel
Weight:	27,3 kg



**NOTES**

When correctly adjusted for the special excavator installation, these valves meet the requirement of ISO 8643

**ORDERING CODES**

Quick code	Description	Main ports size	Standard setting (bar)	Adjust. range (bar)	Pressure increase (bar/turn)
ML000098	MLST-700-AAGN-00-S22-N420	V2,C2:1" 1/2 SAE 6000 E,Pil,T:G 1/4"	① 400 Q=5 l/min ② 10.5 Crack. pr. ③ 7.5 Crack. pr.	① 150-420 ②③ 3-15	① 236 ②③ 3.4
ML000094	MLST-700-AAJN-00-S22-N420	V2,C2:1" 1/2 SAE 6000 E,Pil,T:1/4" JIS	① 400 Q=5 l/min ② 10.5 Crack. pr. ③ 7.5 Crack. pr.	① 150-420 ②③ 3-15	① 236 ②③ 3.4