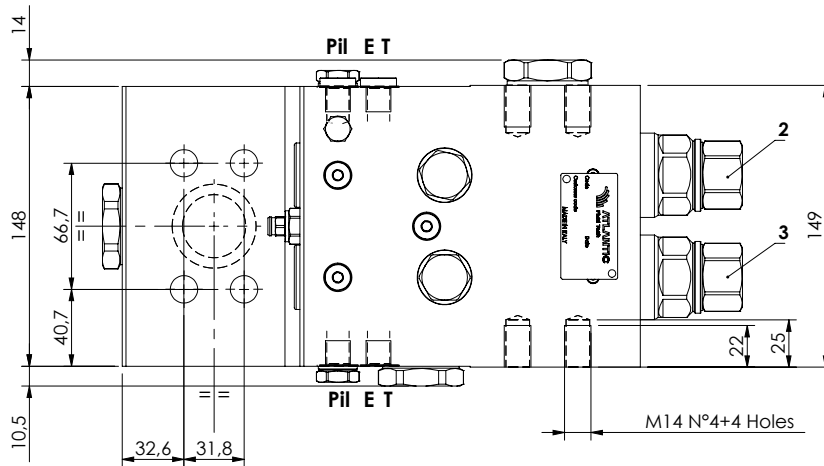
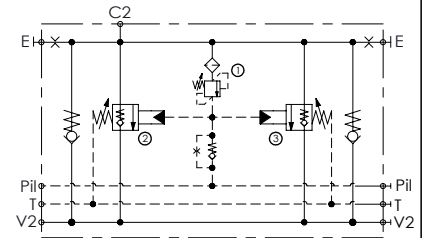
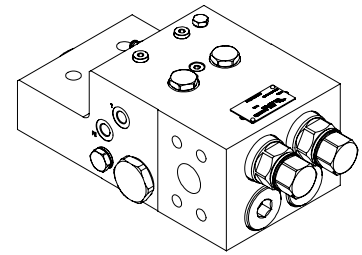
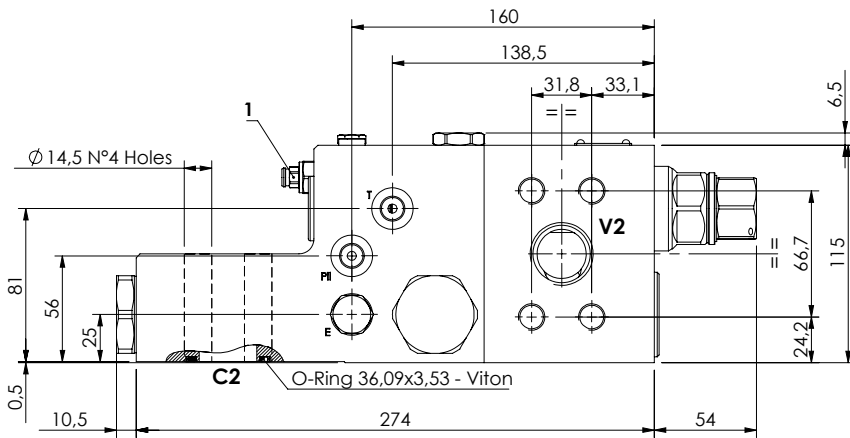


CHECK AND METERING VALVE

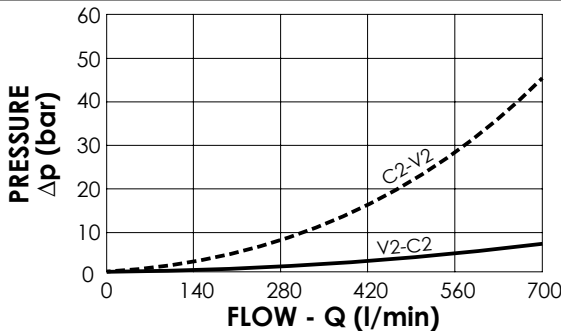
MLST-700-AAGN

FLANGED TYPE
1" 1/4 SAE 6000



SPECIFICATIONS

Max. operating pressure:	420 bar
Rated flow:	700 l/min
Manifold:	Steel
Weight:	27,5 kg



NOTES

When correctly adjusted for the special excavator installation, these valves meet the requirement of ISO 8643

ORDERING CODES

Quick code	Description	Main ports size	Standard setting (bar)	Adjust. range (bar)	Pressure increase (bar/turn)
ML000211	MLST-700-AAGN-00-S11-N420	V2,C2:1" 1/4 SAE 6000 E,Pii,T:G 1/4"	① 400 Q=5 l/min ② 10.5 Crack. pr. ③ 7.5 Crack. pr.	① 150-420 ②③ 3-15	① 236 ②③ 3.4