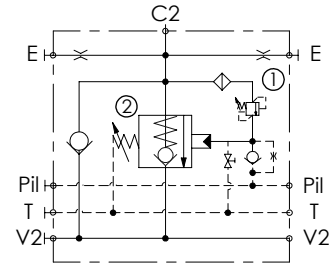
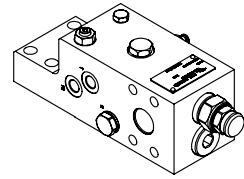
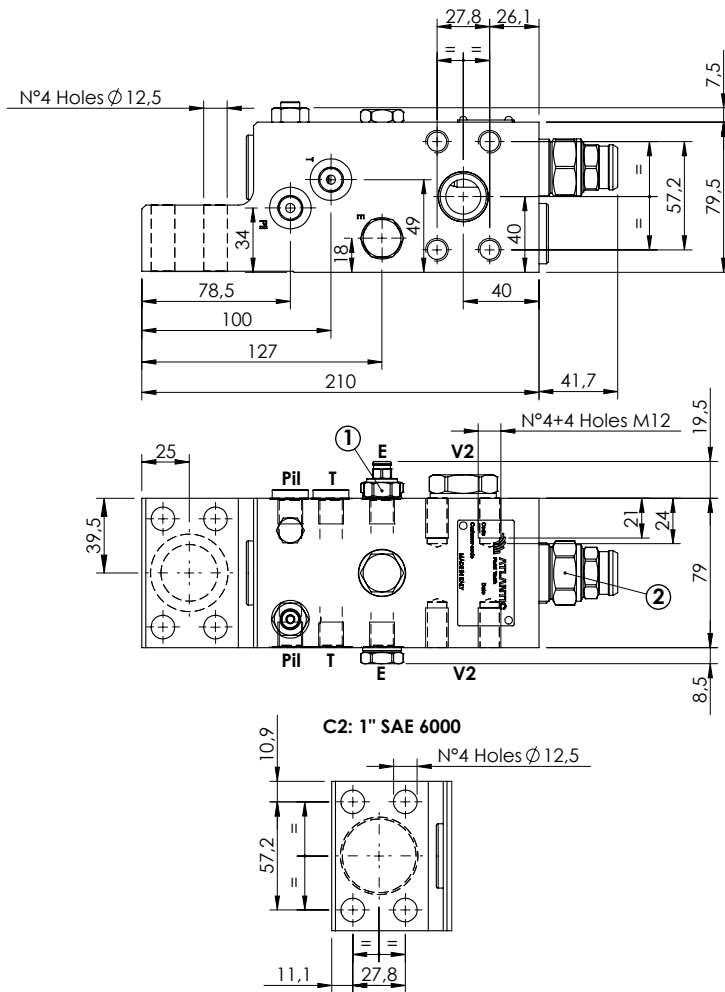


CHECK AND METERING VALVE

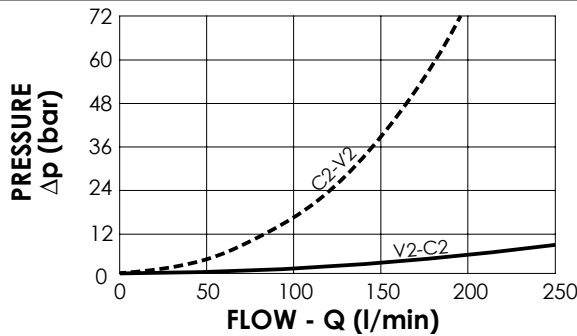
**MLST-200-AAGN**

FLANGED TYPE  
1" SAE 6000



**SPECIFICATIONS**

Max. operating pressure:	420 bar
Rated flow:	250 l/min
Manifold:	Steel
Weight:	8 kg



**NOTES**

When correctly adjusted for the specific excavator installation, these valves meet the requirement of ISO 8643

**ORDERING CODES**

Quick code	Description	Main ports size	Standard setting (bar)	Adjust. range (bar)	Pressure increase (bar/turn)
ML000138	MLST-200-AAGN-00-S10-N420	V2,C2: 1" SAE 6000 E,P11,T: G 1/4"	① 350 Q=5 l/min ② 7.5 Crack. pr.	① 150-420 ② 3-15	① 236 ② 5