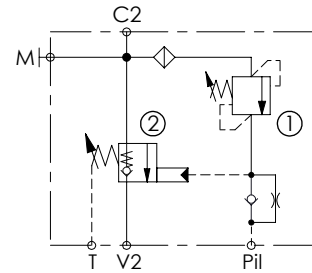
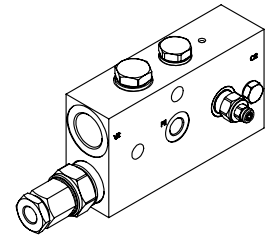
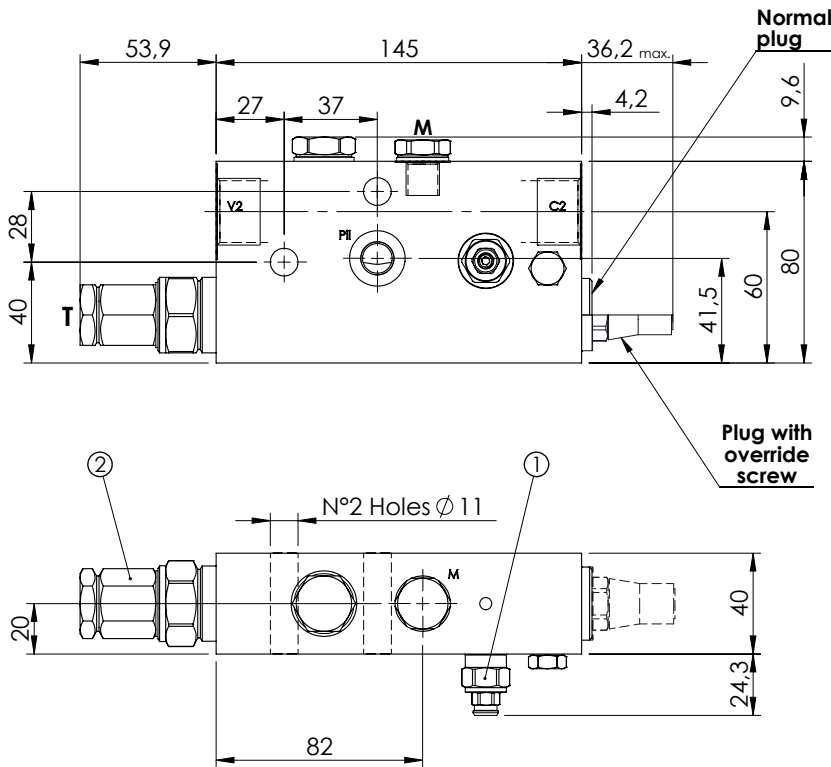


CHECK AND METERING VALVE

MLST-150-ALGL

IN LINE VERSION
LEFT VERSION

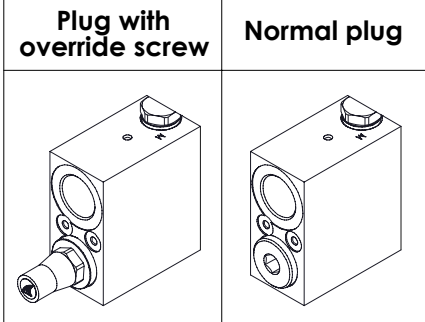
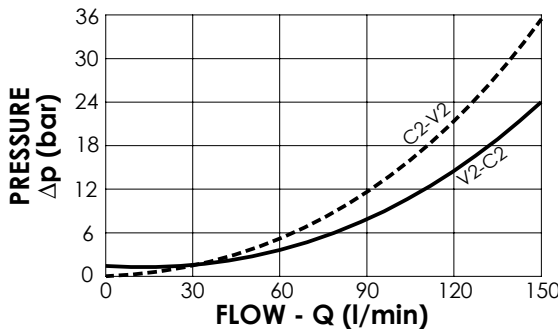


SPECIFICATIONS

Max. operating pressure:	420 bar
Rated flow:	150 l/min
Manifold:	Steel
Weight:	3,35 kg

NOTES

When correctly adjusted for the specific excavator installation, these valves meet the requirement of ISO 8643



ORDERING CODES

Quick code	Description	Main ports size	Plug with override screw	Standard setting (bar)	Adjust. range (bar)	Pressure increase (bar/turn)
ML000121	MLST-150-ALGL-00-G34-N420	V2,C2: G 3/4" PIL,T,M: G 1/4"	No	① 350 Q=5 l/min ② 7.5 Crack. pr.	① 150-420 ② 3-15	① 236 ② 8
ML000010	MLST-150-ALGL-00-G34-E420	V2,C2: G 3/4" PIL,T,M: G 1/4"	Yes	① 350 Q=5 l/min ② 7.5 Crack. pr.	① 150-420 ② 3-15	① 236 ② 8
ML000124	MLST-150-ALGL-00-U11-N420	V2,C2: 1 1/16-12 UNF PIL,T: 9/16-18 UNF M: G 1/4"	No	① 350 Q=5 l/min ② 7.5 Crack. pr.	① 150-420 ② 3-15	① 236 ② 8
ML000030	MLST-150-ALGL-00-U11-E420	V2,C2: 1 1/16-12 UNF PIL,T: 9/16-18 UNF M: G 1/4"	Yes	① 350 Q=5 l/min ② 7.5 Crack. pr.	① 150-420 ② 3-15	① 236 ② 8
ML000125	MLST-150-ALGL-00-J34-N420	V2,C2: 3/4" JIS PIL,T,M: 1/4" JIS	No	① 350 Q=5 l/min ② 7.5 Crack. pr.	① 150-420 ② 3-15	① 236 ② 8
ML000104	MLST-150-ALGL-00-J34-E420	V2,C2: 3/4" JIS PIL,T,M: 1/4" JIS	Yes	① 350 Q=5 l/min ② 7.5 Crack. pr.	① 150-420 ② 3-15	① 236 ② 8