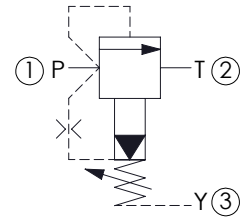
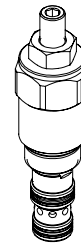
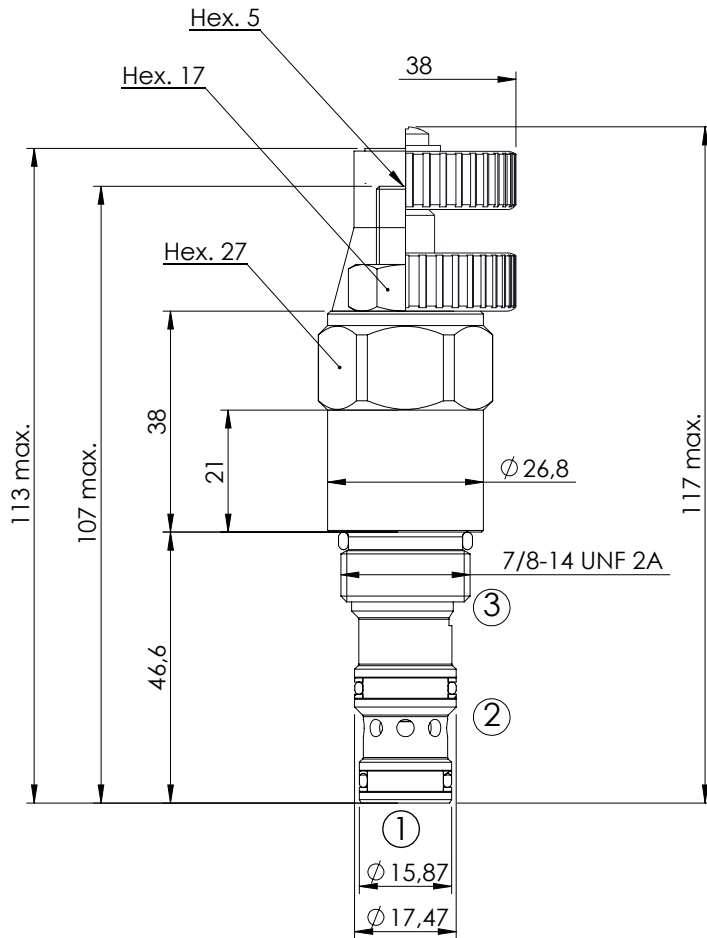


RELIEF VALVE

CPLV-120-PSNA

PILOT OPERATED
SPOOL TYPE
SEPARATE TANK LINE



SPECIFICATIONS

Max. operating pressure:	350 bar
Rated flow:	120 l/min
Cavity:	SAE-10-3N
Weight:	0,26 kg
Installation torque:	55 - 62 Nm
Leakage:	200 cm ³ @ 200 bar (1>2)
Seal kit:	RB700092

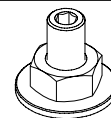
SEALING CAP

Ordering code:

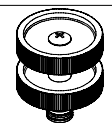
AT000022



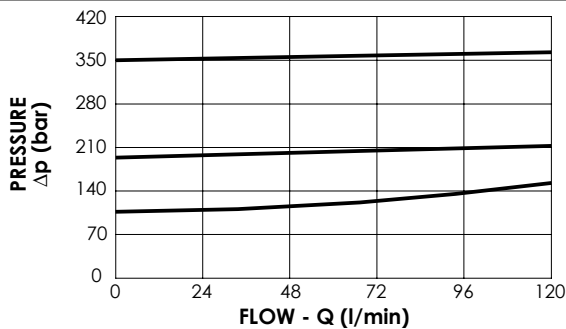
OPTIONS



Adjustment with Screw



Adjustment with Handknob



ORDERING CODES

Quick code	Description	Standard setting (bar, Q=5 l/min)	Adjust. range (bar)	Pressure increase (bar/turn)	Option
CP000228	CPLV-120-PSNA-HN-S10-N350	350	140-350	114	Adjustment with Screw
CP000427	CPLV-120-PSNA-HN-S10-N200	200	70-210	69	Adjustment with Screw
CP000428	CPLV-120-PSNA-HN-S10-N100	100	35-120	37	Adjustment with Screw
CP000429	CPLV-120-PSNA-VN-S10-N350	350	140-350	114	Adjustment with Handknob
CP000430	CPLV-120-PSNA-VN-S10-N200	200	70-210	69	Adjustment with Handknob
CP000431	CPLV-120-PSNA-VN-S10-N100	100	35-120	37	Adjustment with Handknob