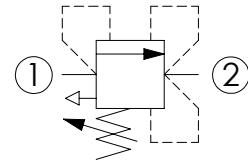
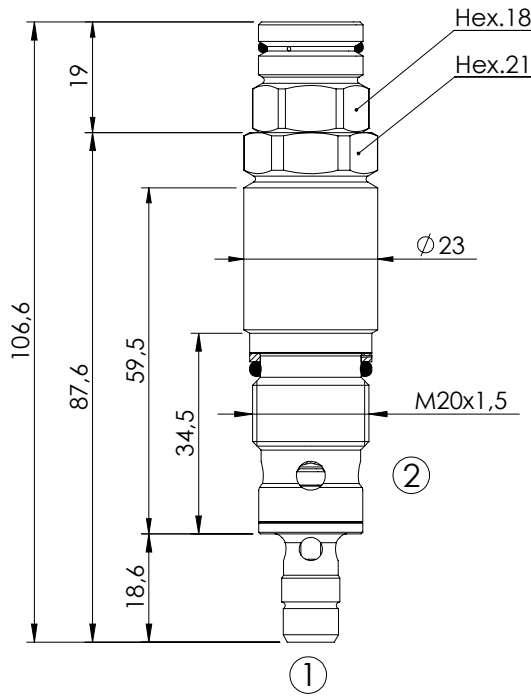


RELIEF VALVE

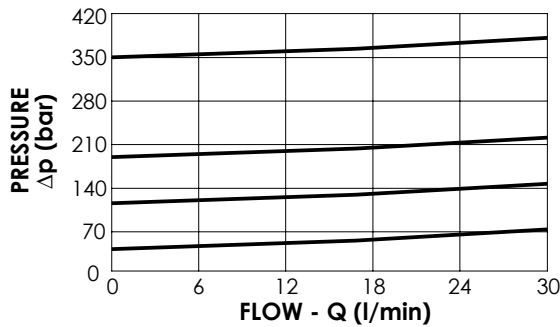
**CPLT-030-DPNA**

DIRECT ACTING  
STABILIZED PISTON  
COMPENSATED



**SPECIFICATIONS**

Max. operating pressure:	420 bar
Rated flow:	30 l/min
Cavity:	VP000008
Weight:	0,2 kg



**NOTES**

Installation torque:	45-50 Nm
Seal kit:	RC700008

**ORDERING CODES**

Quick code	Description	Standard setting (bar, Q=5 l/min)	Adjustment range (bar)	Pressure increase (bar/turn)
CP000125	CPLT-030-DPNA-HN-008-N420	350	250-420	104
CP000078	CPLT-030-DPNA-HN-008-N350	350	100-350	91
CP000079	CPLT-030-DPNA-HN-008-N200	200	50-210	42
CP000080	CPLT-030-DPNA-HN-008-N100	100	30-100	20
CP000081	CPLT-030-DPNA-HN-008-N050	50	10-50	10