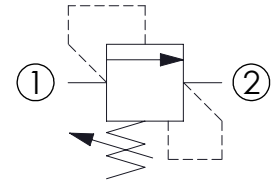
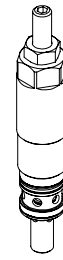
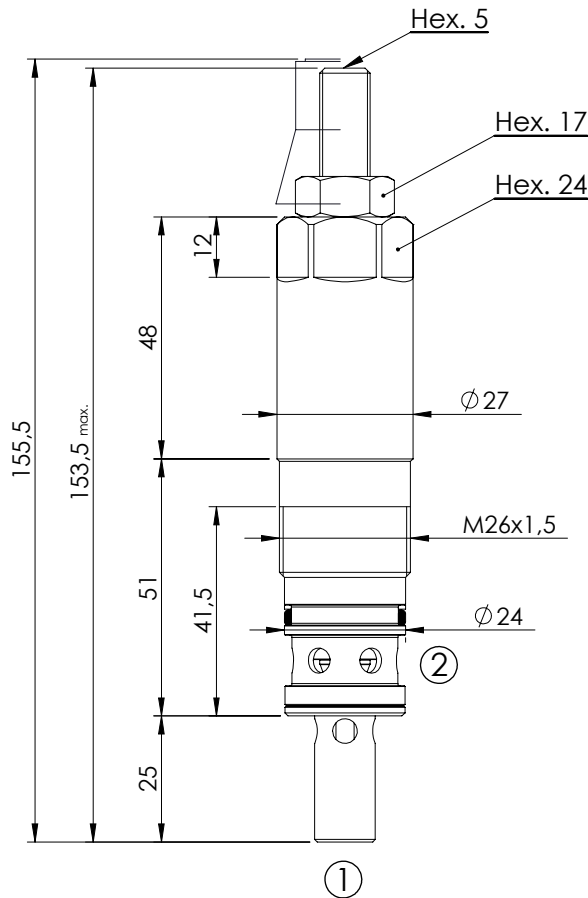


RELIEF VALVE

**CPLN-080-DPNA**

**DIRECT ACTING  
STABILIZED PISTON**

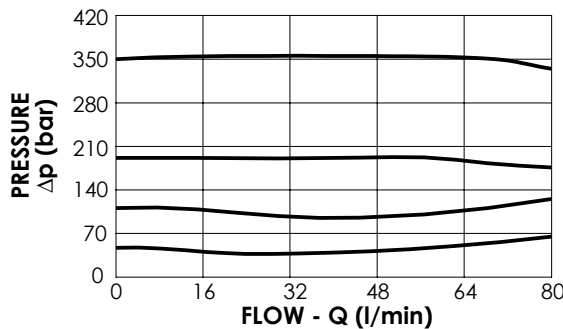
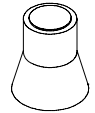


**SPECIFICATIONS**

Max. operating pressure:	420 bar
Rated flow:	80 l/min
Cavity:	VP000086
Weight:	0,34 kg

**SEALING CAP**

Ordering code:  
**AT000021**



**NOTES**

Installation torque:	80 - 95 Nm
Seal kit:	RC700086

**ORDERING CODES**

Quick code	Description	Standard setting (bar, Q=5 l/min)	Adjustment range (bar)	Pressure increase (bar/turn)
CP000180	CPLN-080-DPNA-HN-086-N420	350	150-420	53
CP000026	CPLN-080-DPNA-HN-086-N350	350	100-350	42
CP000076	CPLN-080-DPNA-HN-086-N200	200	60-210	24
CP000077	CPLN-080-DPNA-HN-086-N100	100	25-100	13
CP000099	CPLN-080-DPNA-HN-086-N050	50	5-50	9