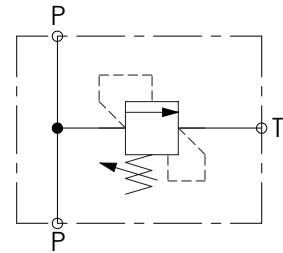
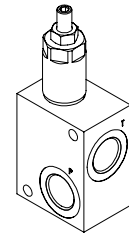
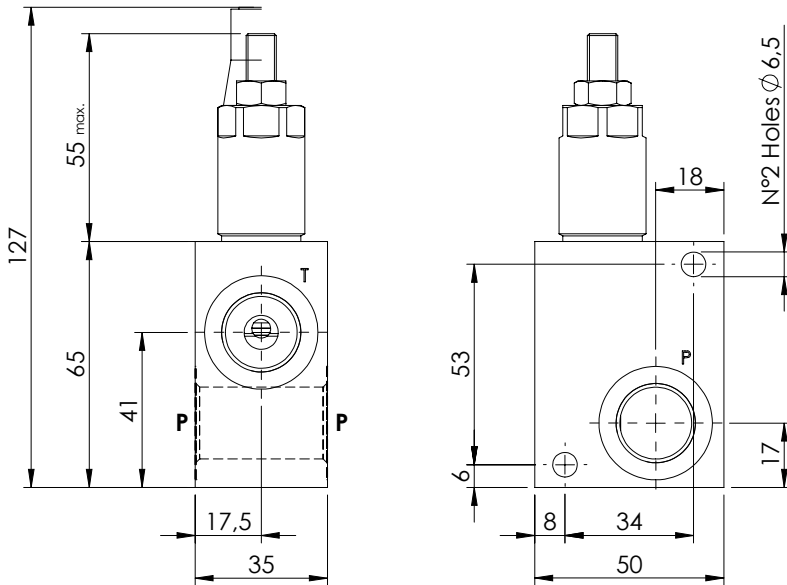


RELIEF VALVE IN BODY

KPLN-030-DPNA

**DIRECT ACTING
STABILIZED PISTON**



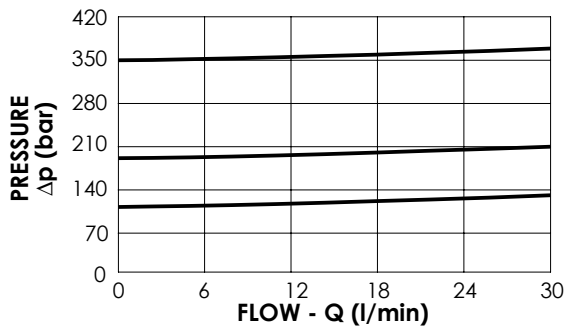
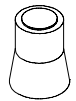
SPECIFICATIONS

Max. operating pressure:	350 bar
Rated flow:	30 l/min
Manifold:	Aluminium
Weight:	0,4 kg

SEALING CAP

Ordering code:

AT000020



NOTES

*Codes available with steel manifold.

ORDERING CODES

Quick code	Description	Main ports size	Standard setting (bar, Q=5 l/min)	Adjustm. range (bar)	Pressure increase (bar/turn)
KP000006	KPLN-030-DPNA-HN-G12-N350	P,T: G 1/2"	350	100-350	91
KP000005	KPLN-030-DPNA-HN-G12-N200	P,T: G 1/2"	200	50-210	42
KP000004	KPLN-030-DPNA-HN-G12-N100	P,T: G 1/2"	100	30-100	20
KP000003	KPLN-030-DPNA-HN-G38-N350	P,T: G 3/8"	350	100-350	91
KP000002	KPLN-030-DPNA-HN-G38-N200	P,T: G 3/8"	200	50-210	42
KP000001	KPLN-030-DPNA-HN-G38-N100	P,T: G 3/8"	100	30-100	20