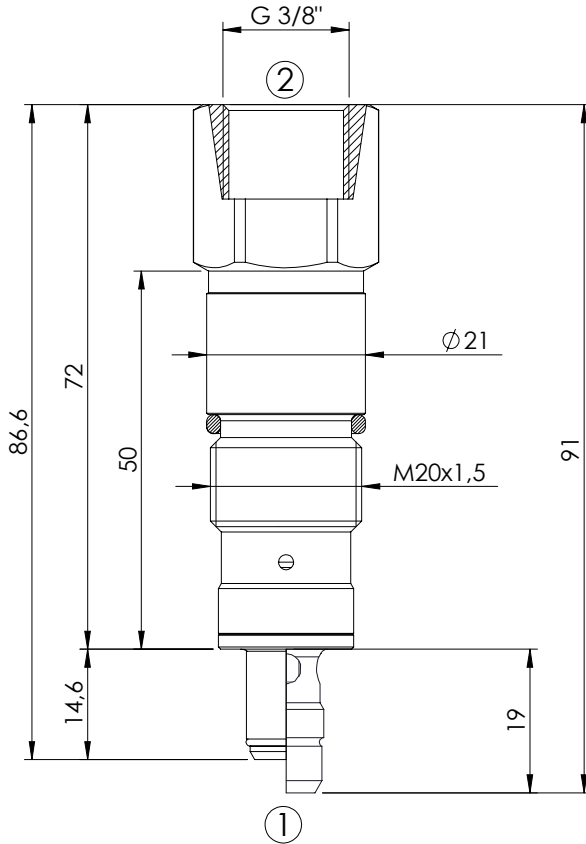


RELIEF VALVE

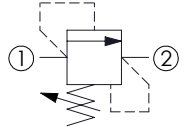
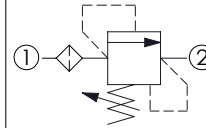
CPLN-XXX-DHAA

**DIRECT ACTING
STABILIZED PISTON
HARDENED SEAT**



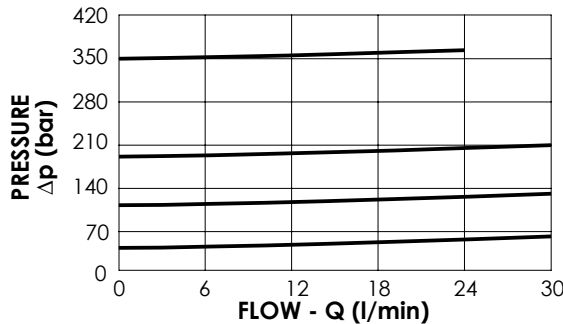
With Filter

Without Filter



SPECIFICATIONS

Max. operating pressure:	500 bar
Max. operating pressure on T:	350 bar
Rated flow:	See table
Cavity:	VP000008
Weight:	0,14 kg



NOTES

Installation torque: 40-45 Nm

ORDERING CODES

Quick code	Description	Rated flow (l/min)	Standard setting (bar, Q=5 l/min)	Adjustment range (bar)	Pressure increase (bar/turn)	Options
CP000266	CPLN-023-DHAA-GF-008-N500	20	350	150-500	167	With Filter
CP000141	CPLN-030-DHAA-GN-008-N350	30	350	100-350	102	Without Filter
CP000190	CPLN-030-DHAA-GN-008-N200	30	200	50-210	46	Without Filter
CP000191	CPLN-030-DHAA-GN-008-N100	30	100	30-100	22	Without Filter
CP000192	CPLN-030-DHAA-GN-008-N050	30	50	10-50	11	Without Filter