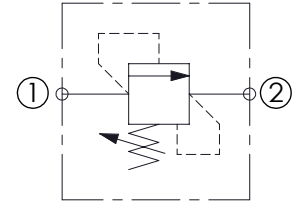
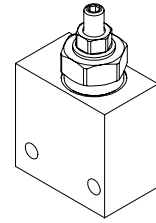
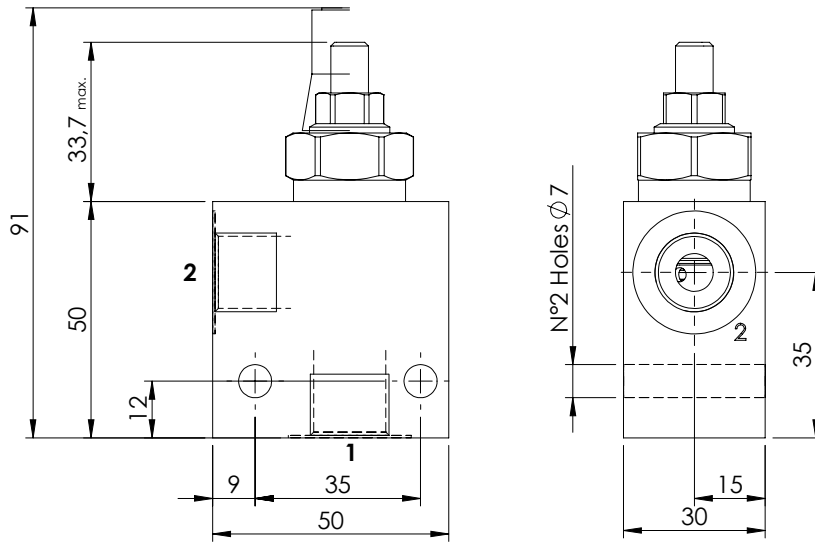
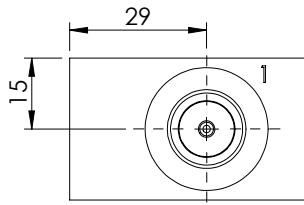


RELIEF VALVE IN BODY

KPLN-010-DPNA

**DIRECT ACTING
HARDENED SEAT**

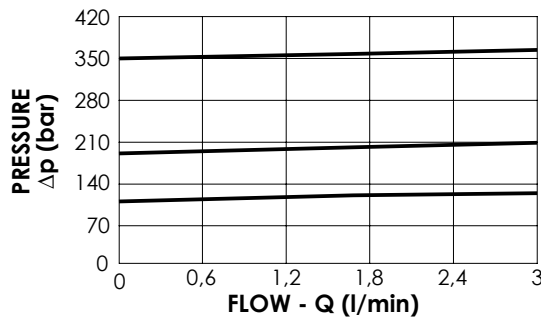


SPECIFICATIONS

Max. operating pressure:	350 bar
Rated flow:	3 l/min
Manifold:	Aluminium
Weight:	0,25 kg

SEALING CAP

Ordering code:
AT000020



ORDERING CODES

Quick code	Description	Main ports size	Standard setting (bar, Q=0.2 l/min)	Adjustm. range (bar)	Pressure increase (bar/turn)
KP000041	KPLN-010-DPNA-SN-G38-N350	P,T: G 3/8"	350	140-350	142
KP000042	KPLN-010-DPNA-SN-G38-N200	P,T: G 3/8"	200	90-210	87
KP000043	KPLN-010-DPNA-SN-G38-N100	P,T: G 3/8"	100	35-110	47
KP000044	KPLN-010-DPNA-SN-G14-N350	P,T: G 1/4"	350	140-350	142
KP000045	KPLN-010-DPNA-SN-G14-N200	P,T: G 1/4"	200	90-210	87
KP000046	KPLN-010-DPNA-SN-G14-N100	P,T: G 1/4"	100	35-110	47