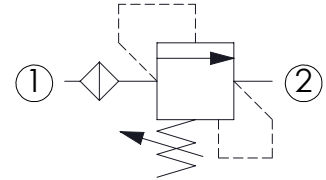
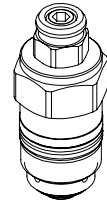
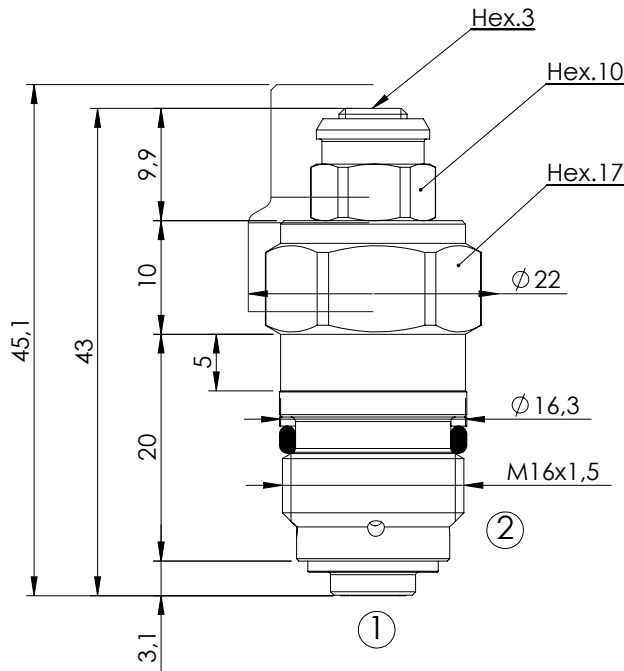


RELIEF VALVE

**CPLN-005-DPNA**

**DIRECT ACTING  
WITH FILTER**

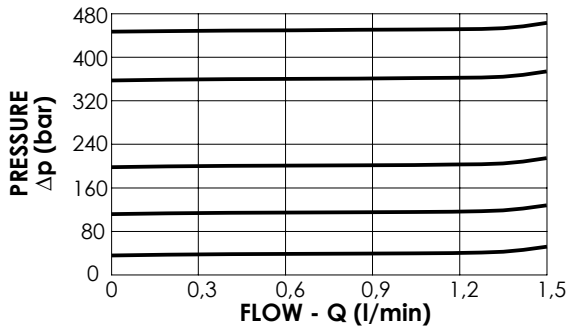
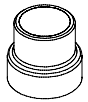


**SPECIFICATIONS**

Max. operating pressure:	460 bar
Rated flow:	1,5 l/min
Cavity:	VP000005
Weight:	0,05 kg

**SEALING CAP**

Ordering code:  
ST000014



**NOTES**

Installation torque:	27 - 33 Nm
Seal kit:	RC700005

**ORDERING CODES**

Quick code	Description	Standard setting (bar/cracking pressure)	Adjustment range (bar)	Pressure increase (bar/turn)
CP000015	CPLN-005-DPNA-PF-005-N460	460	150-460	236
CP000002	CPLN-005-DPNA-PF-005-N350	350	120-350	165
CP000029	CPLN-005-DPNA-PF-005-N200	200	100-200	75
CP000030	CPLN-005-DPNA-PF-005-N100	100	25-100	41
CP000277	CPLN-005-DPNA-PF-005-N040	40	10-40	22