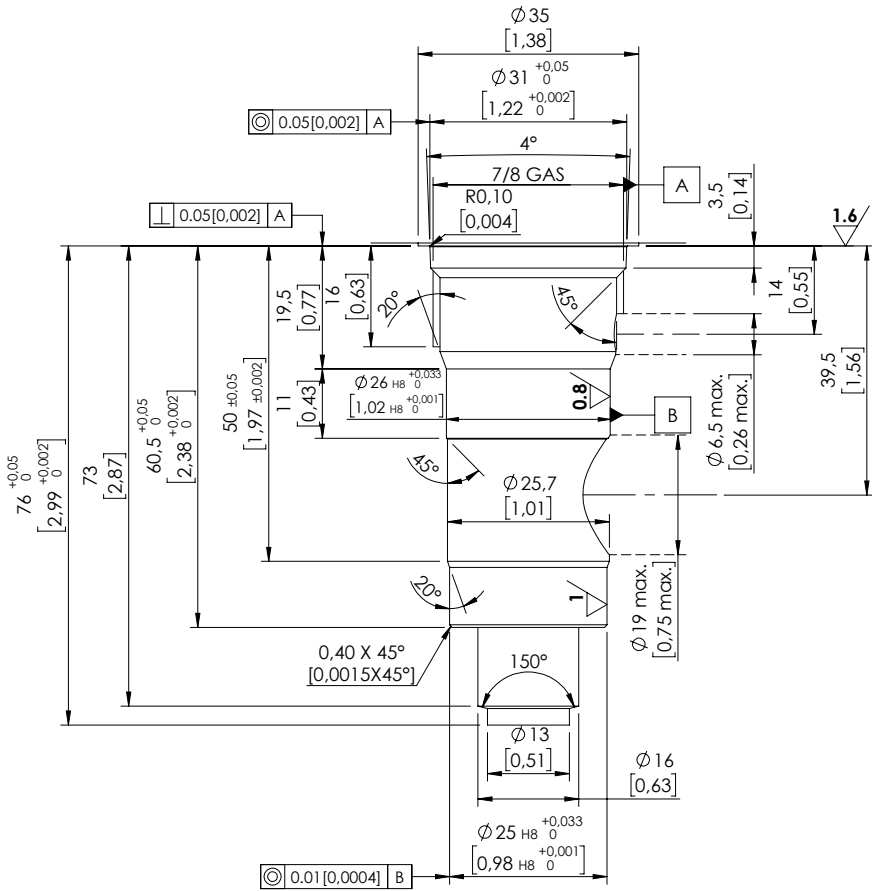


Dimensions: mm [inches]

### VP000555



General Tolerances:

$\text{◎ } 0,03$ [0,0012]
$\perp 0,02$ [0,0008]