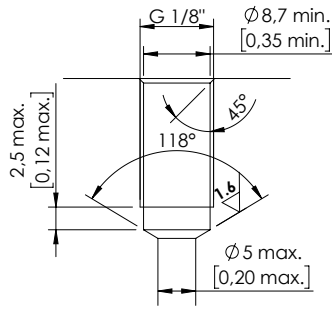
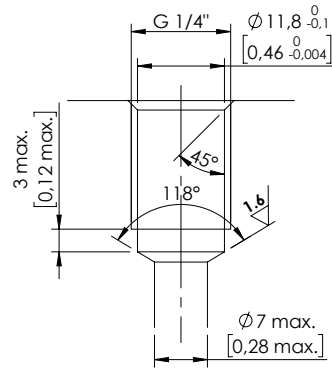


Dimensions: mm [inches]

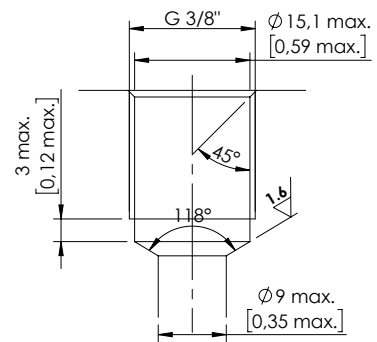
VP000307



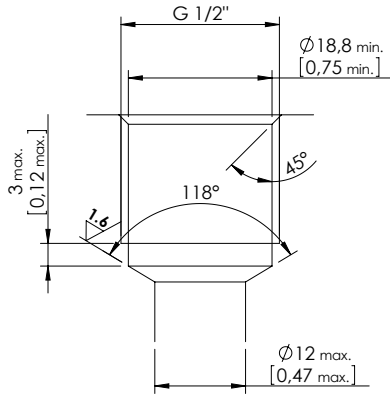
VP000309



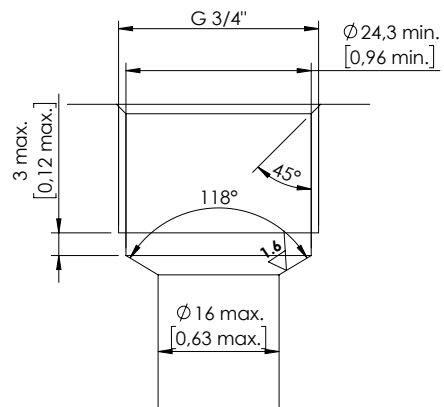
VP000310



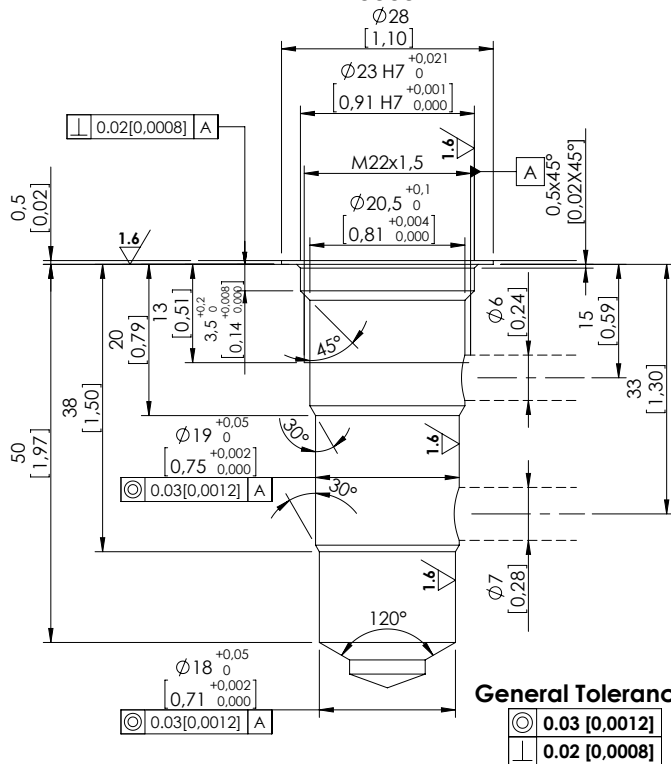
VP000311



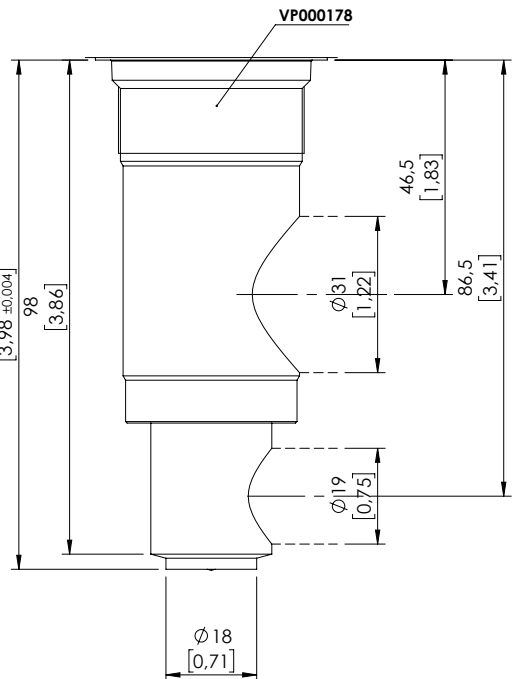
VP000312



VP000314



VP000330



General Tolerances:

- ⊙ 0.03 [0.0012]
- ⊥ 0.02 [0.0008]