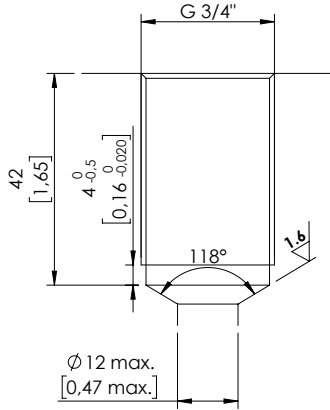
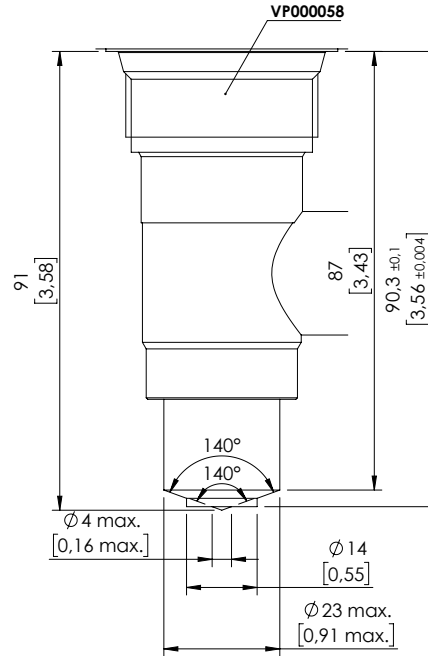


Dimensions: mm [inches]

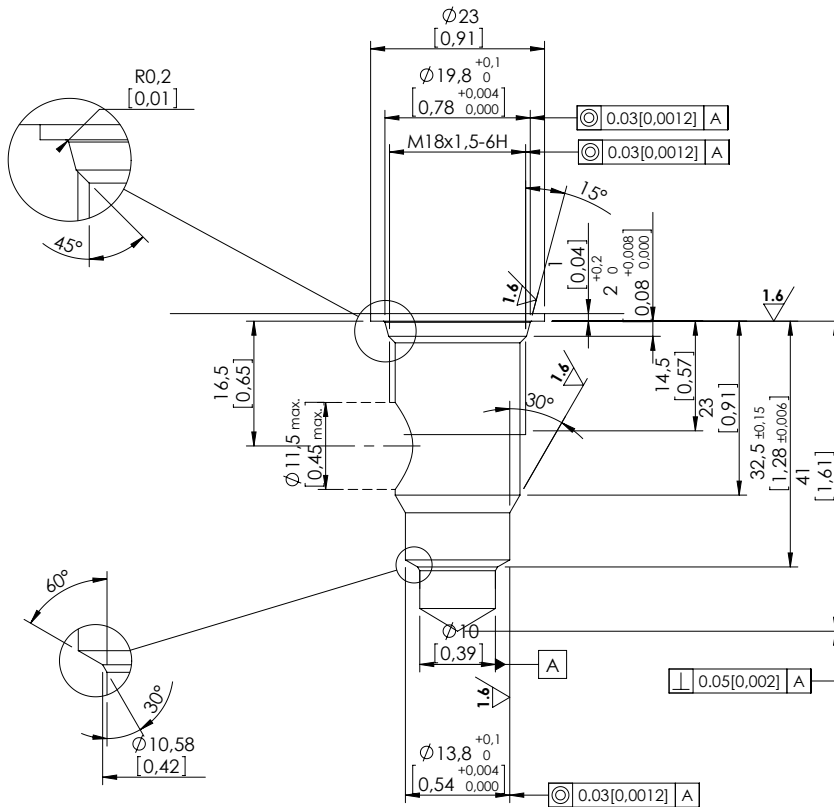
VP000202





VP000204



VP000249



General Tolerances:

	0.03 [0.0012]
	0.02 [0.0008]