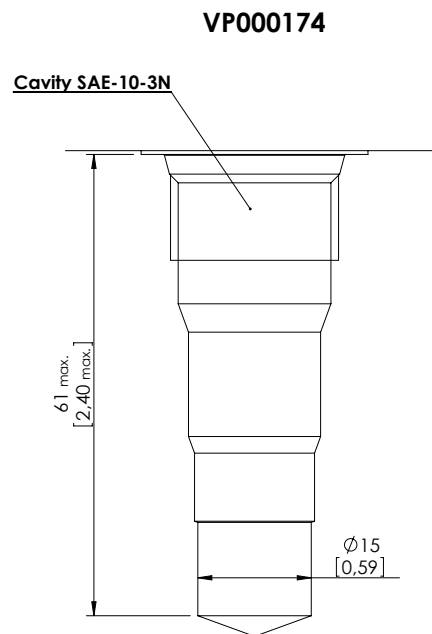
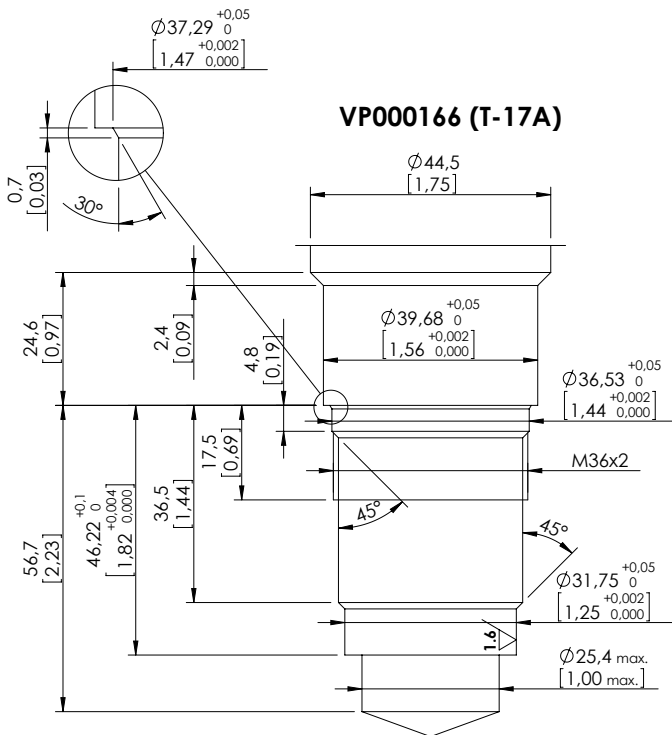
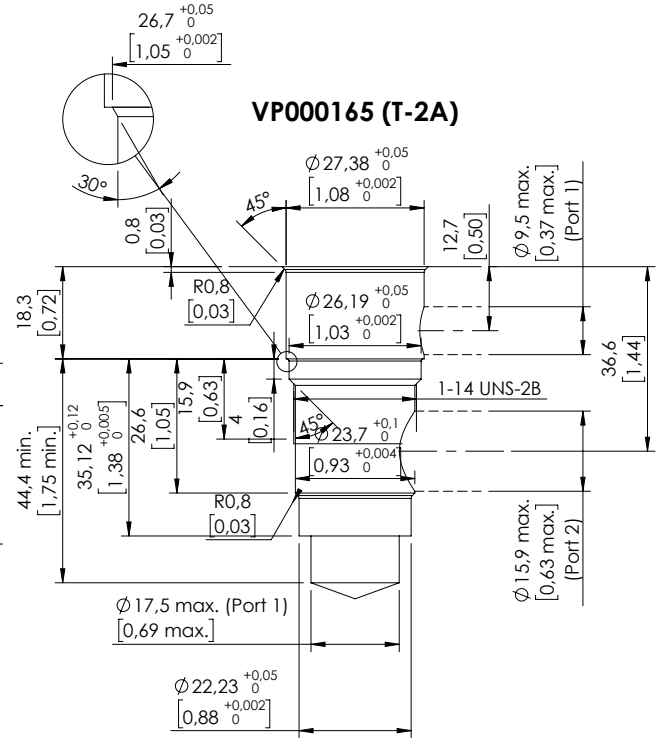
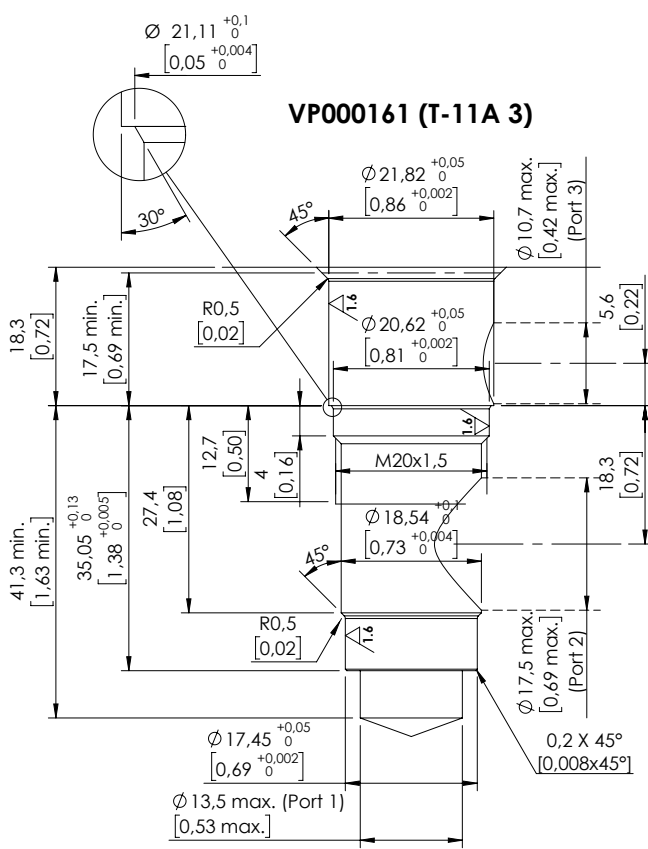


Dimensions: mm [inches]



General Tolerances:

\varnothing	0.03 [0,0012]
\perp	0.02 [0,0008]