



**ATLANTIC**  
Fluid Tech

**SECTION  
23**

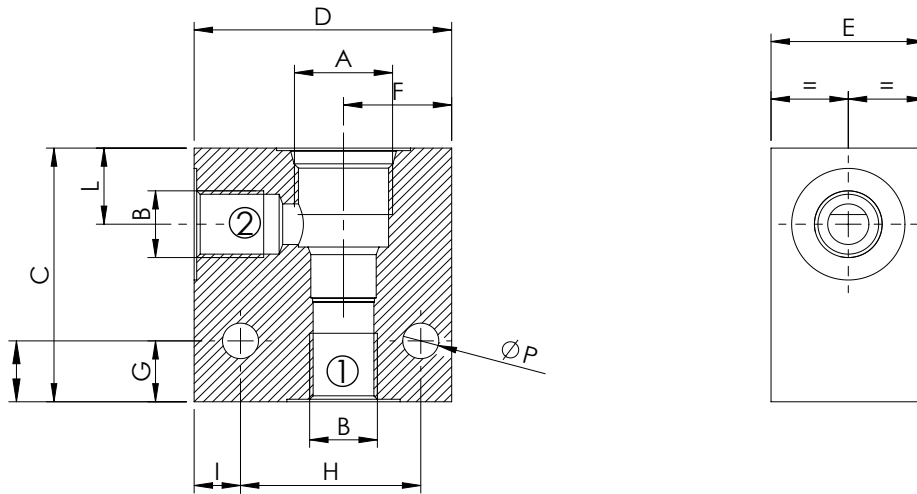
Standard  
Manifolds

# STANDARD MANIFOLDS

Description	Material	Valve type	Max. pressure bar (psi)	Installation	Port size	Page
<a href="#">SAE-XX-2N</a>	Aluminium	Two way	250 (3600)	In line	See datasheet	23.00.010
<a href="#">SAE-XX-2N</a>	Steel	Two way	350 (5000)	In line	See datasheet	23.00.020
<a href="#">SAE-XX-3C</a>	Aluminium	Three way	250 (3600)	In line	See datasheet	23.00.030
<a href="#">SAE-XX-3C</a>	Steel	Three way	350 (5000)	In line	See datasheet	23.00.030
<a href="#">SAE-XX-3N</a>	Aluminium	Three way	250 (3600)	In line	See datasheet	23.00.040
<a href="#">SAE-XX-3N</a>	Steel	Three way	350 (5000)	In line	See datasheet	23.00.040
<a href="#">SAE-XX-4N-3P</a>	Aluminium	Four way, three ports	250 (3600)	In line	See datasheet	23.00.050
<a href="#">SAE-XX-4N-3P</a>	Steel	Four way, three ports	350 (5000)	In line	See datasheet	23.00.050
<a href="#">SAE-XX-4N</a>	Aluminium	Four way	250 (3600)	In line	See datasheet	23.00.060
<a href="#">SAE-XX-4N</a>	Steel	Four way	350 (5000)	In line	See datasheet	23.00.060
<a href="#">VP000057</a>	Aluminium	Two way	250 (3600)	In line	See datasheet	23.00.070
<a href="#">VP000057</a>	Steel	Two way	350 (5000)	In line	See datasheet	23.00.070
<a href="#">VP000013</a>	Aluminium	Two way	250 (3600)	In line	See datasheet	23.00.070
<a href="#">VP000013</a>	Steel	Two way	350 (5000)	In line	See datasheet	23.00.070
<a href="#">VP000180</a>	Aluminium	Two way	250 (3600)	In line	See datasheet	23.00.070
<a href="#">VP000180</a>	Steel	Two way	350 (5000)	In line	See datasheet	23.00.070
<a href="#">SAE-XX-2N</a>	Aluminium	Two way, with override screw	250 (3600)	In line	See datasheet	23.00.080
<a href="#">SAE-XX-2N</a>	Steel	Two way, with override screw	350 (5000)	In line	See datasheet	23.00.080

STANDARD MANIFOLDS

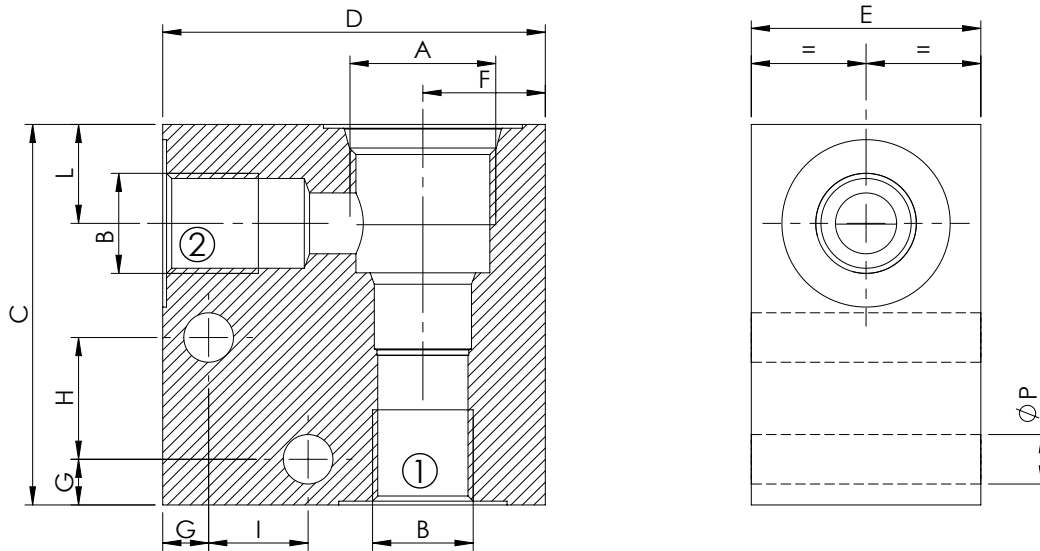
SAE-XX-2N



For other configurations/quick codes not available in this catalogue page please consult factory

CAVITY	DIMENSIONS: mm (inches)											QUICK CODE			
	A	B	C	D	E	F	G	H	I	L	M	N	P	Steel	Aluminium
SAE-08-2N	G 1/4"	50 (1,96)	50 (1,96)	30 (1,18)	21 (0,83)	12 (0,47)	35 (1,38)	9 (0,35)	15 (0,59)				7 (0,28)	LK000018	LK000017
	G 3/8"	50 (1,96)	50 (1,96)	30 (1,18)	21 (0,83)	12 (0,47)	35 (1,38)	9 (0,35)	15 (0,59)				7 (0,28)	LK000020	LK000019
	G 1/2"	50 (1,96)	50 (1,96)	35 (1,38)	23 (0,91)	12 (0,47)	35 (1,38)	9 (0,35)	16 (0,63)				7 (0,28)	LK000390	LK000247
	7/16-20	50 (1,96)	50 (1,96)	30 (1,18)	21 (0,83)	12 (0,47)	35 (1,38)	9 (0,35)	15 (0,59)				7 (0,28)		
	9/16-18	50 (1,96)	50 (1,96)	30 (1,18)	21 (0,83)	12 (0,47)	35 (1,38)	9 (0,35)	15 (0,59)				7 (0,28)		
SAE-10-2N	G 3/8"	60 (2,36)	60 (2,36)	35 (1,38)	25 (0,98)	15 (0,59)	45 (1,77)	7 (0,28)	19 (0,75)				7 (0,28)	LK000022	LK000021
	G 1/2"	60 (2,36)	60 (2,36)	35 (1,38)	25 (0,98)	15 (0,59)	45 (1,77)	7 (0,28)	19 (0,75)				7 (0,28)	LK000024	LK000023
	G 3/4"	60 (2,36)	60 (2,36)	40 (1,57)	27,5 (1,08)	15 (0,59)	45 (1,77)	9 (0,35)	20 (0,79)				7 (0,28)	LK000047	LK000046
SAE-12-2N	G 1/2"	75 (2,95)	80 (3,15)	40 (1,57)	35 (1,38)	20 (0,79)	60 (2,36)	10 (0,39)	26,5 (1,04)				9 (0,35)	LK000207	LK000208
	G 3/4"	75 (2,95)	80 (3,15)	40 (1,57)	35 (1,38)	20 (0,79)	60 (2,36)	10 (0,39)	26,5 (1,04)				9 (0,35)	LK000205	LK000206
SAE-16-2N	G 3/4"	80 (3,15)	90 (3,54)	50 (1,96)	37 (1,46)	22 (0,87)	60 (2,36)	20 (0,79)	26 (1,02)				9 (0,35)	LK000156	LK000157
	G 1"	80 (3,15)	90 (3,54)	50 (1,96)	37 (1,46)	22 (0,87)	60 (2,36)	20 (0,79)	26 (1,02)				9 (0,35)	LK000154	LK000155
SAE-20-2N															

# SAE-XX-2N

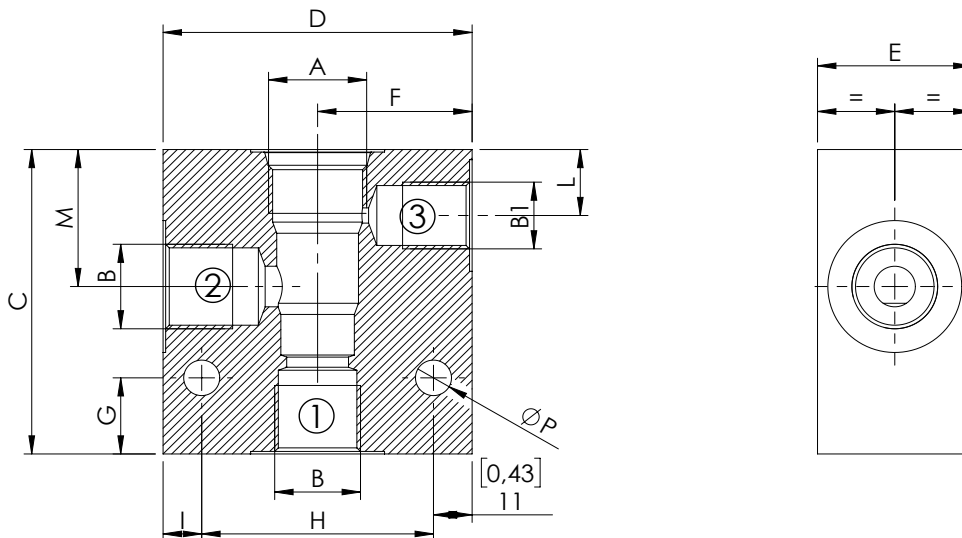


For other configurations/quick codes not available in this catalogue page please consult factory

CAVITY	DIMENSIONS: mm (inches)											QUICK CODE			
	A	B	C	D	E	F	G	H	I	L	M	N	P	Steel	Aluminium
SAE-08-2N	G 1/4"	50 (1,96)	50 (1,96)	30 (1,18)	16 (0,63)	6 (0,24)	16 (0,63)	13 (0,51)	13 (0,51)				6,5 (0,26)	LK000086	LK000005
	G 3/8"	50 (1,96)	50 (1,96)	30 (1,18)	16 (0,63)	6 (0,24)	16 (0,63)	13 (0,51)	13 (0,51)				6,5 (0,26)	LK000085	LK000077
	7/16-20	50 (1,96)	50 (1,96)	30 (1,18)	16 (0,63)	6 (0,24)	16 (0,63)	13 (0,51)	13 (0,51)				6,5 (0,26)	LK000277	LK000148
	9/16-18	50 (1,96)	50 (1,96)	30 (1,18)	16 (0,63)	6 (0,24)	16 (0,63)	13 (0,51)	13 (0,51)				6,5 (0,26)	LK000076	LK000278
SAE-10-2N															
SAE-12-2N															
SAE-16-2N															
SAE-20-2N															

STANDARD MANIFOLDS

SAE-XX-3C

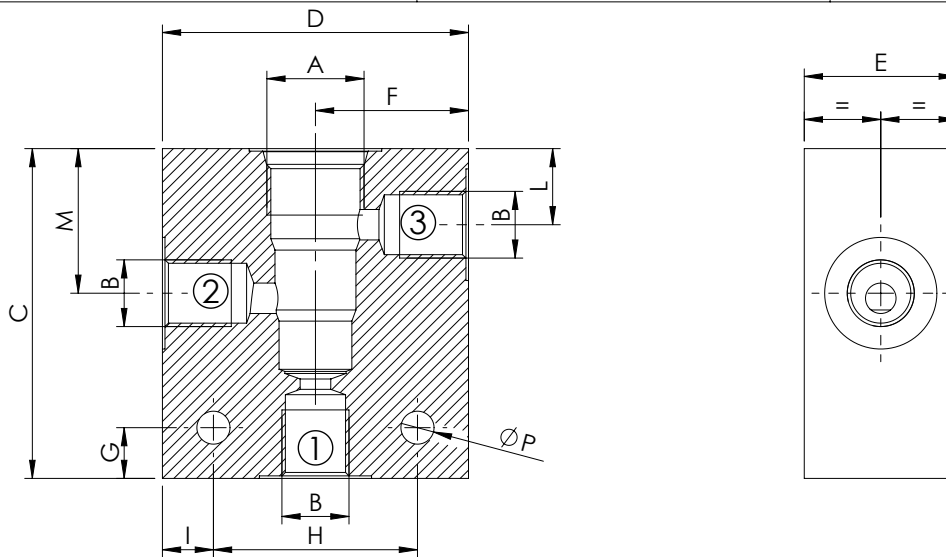


For other configurations/quick codes not available in this catalogue page please consult factory

CAVITY	DIMENSIONS: mm (inches)												QUICK CODE	
	A	B	B1	C	D	E	F	G	H	I	L	M	P	Steel
SAE-08-3C	G 3/8"	G 1/4"	60 (2,36)	60 (2,36)	30 (1,18)	30 (1,18)	15 (0,59)	45 (1,77)	7,5 (0,3)	13 (0,51)	27 (1,06)	7 (0,28)	LK000279	LK000033
SAE-10-3C	G 3/8"	G 1/4"	70 (2,76)	60 (2,36)	35 (1,38)	30 (1,18)	15 (0,59)	45 (1,77)	7,5 (0,3)	15 (0,59)	32 (1,26)	7 (0,28)	LK000280	LK000034
SAE-12-3C	G 1/2"	G 1/4"	80 (3,15)	75 (2,95)	40 (1,57)	35 (1,38)	15 (0,59)	55 (2,17)	10 (0,39)	24 (0,94)	42 (1,65)	7 (0,28)	LK000165	LK000164
	G 3/4"	G 1/4"	90 (3,54)	75 (2,95)	40 (1,57)	35 (1,38)	15 (0,59)	55 (2,17)	10 (0,39)	24 (0,94)	42 (1,65)	7 (0,28)	LK000210	LK000211
	7/8-14	9/16-18	80 (3,15)	75 (2,95)	40 (1,57)	35 (1,38)	15 (0,59)	55 (2,17)	10 (0,39)	24 (0,94)	42 (1,65)	9 (0,35)	LK000263	LK000262
SAE-16-3C	G 1"	G 1/4"	90 (3,54)	90 (3,54)	50 (1,96)	40 (1,57)	22 (0,87)	70 (2,76)	10 (0,39)	18,5 (0,73)	39 (1,54)	9 (0,35)	LK000212	LK000213
	G 3/4"	G 1/4"	90 (3,54)	80 (3,15)	50 (1,96)	38 (1,5)	22 (0,87)	60 (2,36)	10 (0,39)	18,5 (0,73)	39 (1,54)	9 (0,35)	LK000264	LK000265
	1 5/16-12	7/16-20	90 (3,54)	90 (3,54)	50 (1,96)	40 (1,57)	22 (0,87)	70 (2,76)	10 (0,39)	18,5 (0,73)	39 (1,54)	9 (0,35)	LK000266	LK000267
SAE-20-3C	G 1"	G 1/4"	110 (4,33)	100 (3,94)	60 (2,36)	45 (1,77)	25 (0,98)	75 (2,95)	12,5 (0,49)	21 (0,83)	51 (2,01)	11 (0,43)	LK000268	LK000269
	G 1-1/4"	G 1/4"	110 (4,33)	100 (3,94)	60 (2,36)	45 (1,77)	25 (0,98)	75 (2,95)	12,5 (0,49)	21 (0,83)	51 (2,01)	11 (0,43)	LK000270	LK000271
	1 5/8-12	7/16-20	110 (4,33)	100 (3,94)	60 (2,36)	45 (1,77)	25 (0,98)	75 (2,95)	12,5 (0,49)	21 (0,83)	51 (2,01)	11 (0,43)	LK000272	LK000273

STANDARD MANIFOLDS

SAE-XX-3N



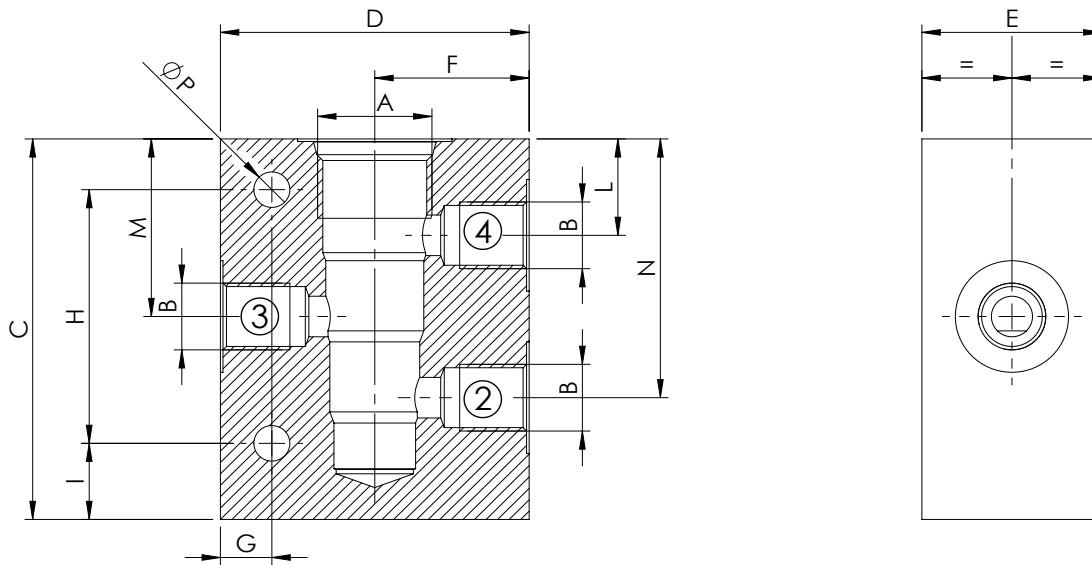
For other configurations/quick codes not available in this catalogue page please consult factory

CAVITY	DIMENSIONS: mm (inches)											QUICK CODE		
	A	B	C	D	E	F	G	H	I	L	M	N	P	Steel
SAE-08-3N	G 1/4"	65 (2,56)	60 (2,36)	30 (1,18)	30 (1,18)	10 (0,39)	40 (1,57)	10 (0,39)	15 (0,59)	28,5 (1,12)		6,5 (0,26)	LK000089	LK000008
	G 3/8"	65 (2,56)	60 (2,36)	30 (1,18)	30 (1,18)	10 (0,39)	40 (1,57)	10 (0,39)	15 (0,59)	28,5 (1,12)		6,5 (0,26)	LK000090	LK000009
SAE-10-3N	G 1/4"	65 (2,56)	65 (2,56)	35 (1,38)	32,5 (1,27)	10 (0,39)	50 (1,96)	7,5 (0,29)	18 (0,71)	35 (1,38)		6,5 (0,26)	LK000035	LK000012
	G 3/8"	65 (2,56)	60 (2,36)	35 (1,38)	30 (1,18)	10 (0,39)	45 (1,77)	7,5 (0,29)	18 (0,71)	34,5 (1,35)		7 (0,28)	LK000027	LK000013
	G 1/2"	70 (2,76)	70 (2,76)	35 (1,38)	35 (1,38)	15 (0,59)	50 (1,96)	10 (0,39)	18 (0,71)	34,5 (1,35)		7 (0,28)	LK000131	LK000057
SAE-12-3N	G 1/2"	100 (3,94)	80 (3,15)	40 (1,57)	42,5 (1,67)	15 (0,59)	55 (2,17)	12,5 (0,49)	29 (1,14)	54 (2,13)		7 (0,28)	LK000100	LK000281
	G 3/4"	100 (3,94)	80 (3,15)	40 (1,57)	40 (1,57)	15 (0,59)	55 (2,17)	12,5 (0,49)	29 (1,14)	54 (2,13)		7 (0,28)	LK000294	LK000295
SAE-16-3N	G 3/4"	100 (3,94)	90 (3,54)	50 (1,96)	45 (1,77)	20 (0,79)	60 (2,36)	15 (0,59)	26 (1,02)	54,5 (2,15)		10,5 (0,41)	LK000256	LK000257
SAE-20-3N														

STANDARD MANIFOLDS

**SAE-XX-4N 3P**

THREE PORTS

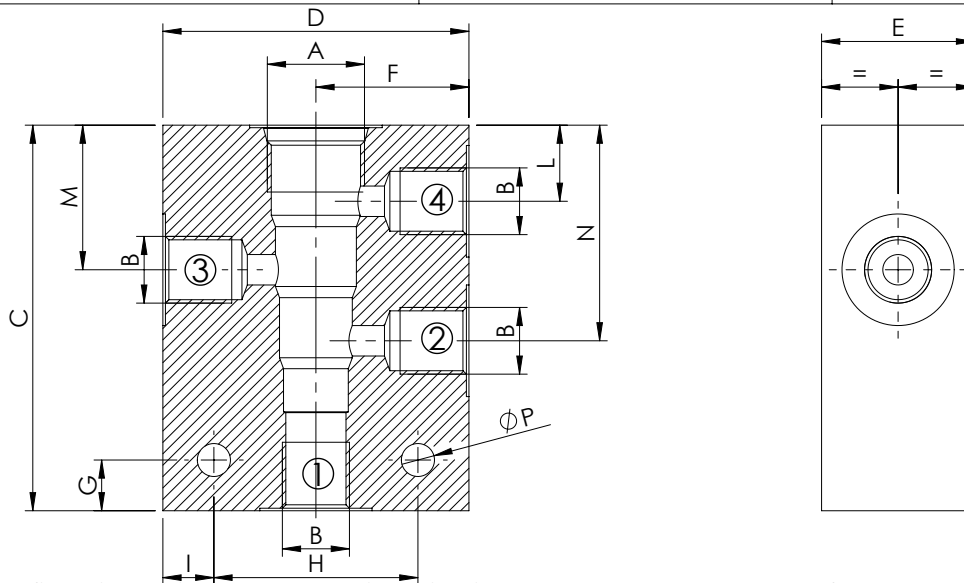


For other configurations/quick codes not available in this catalogue page please consult factory

CAVITY	DIMENSIONS: mm (inches)												QUICK CODE	
	A	B	C	D	E	F	G	H	I	L	M	N	P	Steel
SAE-08-4N	G 3/8"	75 (2,95)	60 (2,36)	35 (1,38)	30 (1,18)	10 (0,39)	50 (1,96)	15 (0,59)	15 (0,59)	29 (1,14)	43 (1,69)	7 (0,28)	LK000063	LK000376
SAE-10-4N	G 1/4"	75 (2,95)	60 (2,36)	35 (1,38)	30 (1,18)	10 (0,39)	50 (1,96)	15 (0,59)	19 (0,75)	35 (1,38)	51 (2,01)	7 (0,28)	LK000040	LK000038
	G 3/8"	75 (2,95)	60 (2,36)	35 (1,38)	30 (1,18)	10 (0,39)	50 (1,96)	15 (0,59)	19 (0,75)	35 (1,38)	51 (2,01)	7 (0,28)	LK000016	LK000037
	G 1/2"	85 (3,35)	65 (2,56)	35 (1,38)	32,5 (1,28)	10 (0,39)	50 (1,96)	15 (0,59)	19 (0,75)	35 (1,38)	51 (2,01)	7 (0,28)	LK000041	LK000039
	9/16-18	75 (2,95)	60 (2,36)	35 (1,38)	30 (1,18)	10 (0,39)	50 (1,96)	15 (0,59)	19 (0,75)	35 (1,38)	51 (2,01)	7 (0,28)	LK000331	LK000330
	1/4 JIS	75 (2,95)	60 (2,36)	35 (1,38)	30 (1,18)	10 (0,39)	50 (1,96)	15 (0,59)	19 (0,75)	35 (1,38)	51 (2,01)	7 (0,28)	LK000249	LK000367
SAE-12-4N	G 3/4"	120 (4,72)	80 (3,15)	40 (1,57)	40 (1,57)	12 (0,47)	90 (3,54)	15 (0,59)	28,5 (1,12)	53,5 (2,11)	78,5 (3,09)	7 (0,28)	LK000416	LK000417
SAE-16-4N	G 3/4"	120 (4,72)	90 (3,54)	50 (1,96)	45 (1,77)	12 (0,47)	90 (3,54)	15 (0,59)	25,5 (1)	54 (2,13)	82,5 (3,25)	8,5 (0,33)	LK000222	LK000225
	1 1/16 JIS	120 (4,72)	90 (3,54)	50 (1,96)	45 (1,77)	12 (0,47)	90 (3,54)	15 (0,59)	25,5 (1)	54 (2,13)	82,5 (3,25)	8,5 (0,33)	LK000223	LK000224
SAE-20-4N														

STANDARD MANIFOLDS

SAE-XX-4N



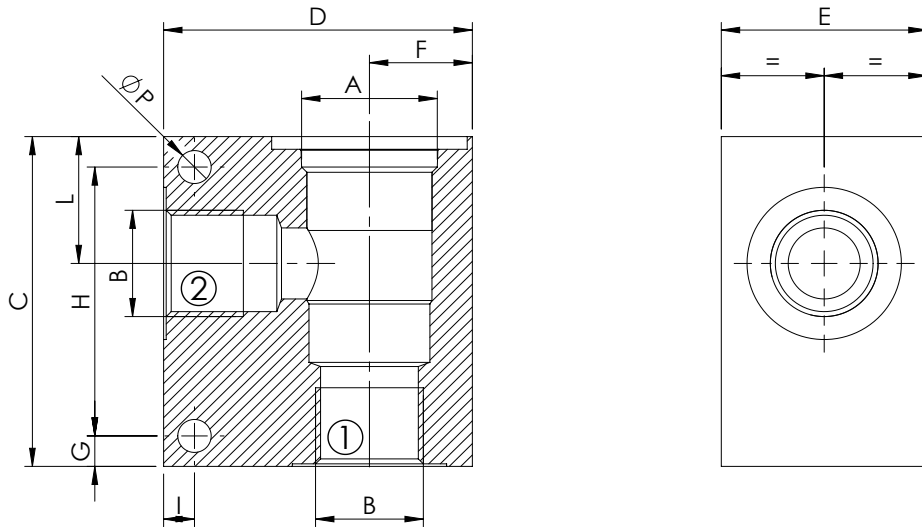
For other configurations/quick codes not available in this catalogue page please consult factory

CAVITY	DIMENSIONS: mm (inches)												QUICK CODE		
	A	B	C	D	E	F	G	H	I	L	M	N	P	Steel	Aluminium
SAE-08-4N	G 1/4"	76 (2,99)	60 (2,36)	30 (1,18)	30 (1,18)	10 (0,39)	40 (1,57)	10 (0,39)	15 (0,59)	28,5 (1,12)	42,5 (1,67)	6,5 (0,26)		LK000282	LK000015
	G 3/8"	76 (2,99)	60 (2,36)	30 (1,18)	30 (1,18)	10 (0,39)	40 (1,57)	10 (0,39)	15 (0,59)	28,5 (1,12)	42,5 (1,67)	6,5 (0,26)		LK000276	LK000014
SAE-10-4N	G 1/4"	80 (3,15)	65 (2,56)	35 (1,38)	32,5 (1,28)	10 (0,39)	50 (1,97)	7,5 (0,3)	18 (0,71)	35 (1,38)	50 (1,96)	6,5 (0,26)		LK000231	LK000010
	G 3/8"	80 (3,15)	65 (2,56)	35 (1,38)	32,5 (1,28)	10 (0,39)	50 (1,97)	7,5 (0,3)	18 (0,71)	35 (1,38)	50 (1,96)	6,5 (0,26)		LK000043	LK000011
SAE-12-4N	G 3/4"	125 (4,92)	80 (3,15)	40 (1,57)	40 (1,57)	20 (0,79)	55 (2,17)	12,5 (0,49)	28,5 (1,12)	53,5 (2,11)	79,5 (3,13)	7 (0,28)		LK000418	LK000419
SAE-16-4N															
SAE-20-4N															



STANDARD MANIFOLDS

VP000XXX



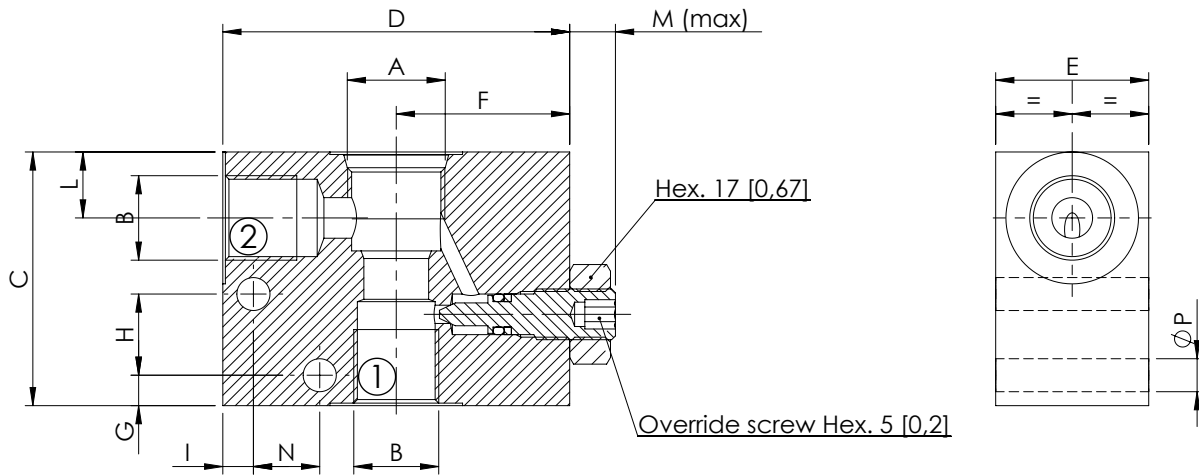
For other configurations/quick codes not available in this catalogue page please consult factory

CAVITY	DIMENSIONS: mm (inches)												QUICK CODE		
	A	B	C	D	E	F	G	H	I	L	M	N	P	Steel	Aluminium
VP000057	G 1/2"	65 (2,56)	60 (2,36)	40 (1,57)	20 (0,79)	6 (0,24)	53 (2,09)	6 (0,24)	25 (0,98)				6,5 (0,26)	LK000071	LK000055
	G 3/4"	65 (2,56)	60 (2,36)	40 (1,57)	20 (0,79)	6 (0,24)	53 (2,09)	6 (0,24)	25 (0,98)				6,5 (0,26)	LK000075	LK000065
	3/4-16	65 (2,56)	60 (2,36)	40 (1,57)	20 (0,79)	6 (0,24)	53 (2,09)	6 (0,24)	25 (0,98)				6,5 (0,26)	LK000275	LK000283
	7/8-14	65 (2,56)	60 (2,36)	40 (1,57)	20 (0,79)	6 (0,24)	53 (2,09)	6 (0,24)	25 (0,98)				6,5 (0,26)	LK000363	LK000366
	M22x1,5	65 (2,56)	60 (2,36)	40 (1,57)	20 (0,79)	6 (0,24)	53 (2,09)	6 (0,24)	25 (0,98)				6,5 (0,26)	LK000393	LK000392
VP000013	G 3/4"	80 (3,15)	80 (3,15)	50 (1,97)	26 (1,02)	7,5 (0,3)	65 (2,56)	7,5 (0,3)	31 (1,22)				8,5 (0,33)	LK000078	LK000066
	G 1"	80 (3,15)	80 (3,15)	50 (1,97)	26 (1,02)	7,5 (0,3)	65 (2,56)	7,5 (0,3)	31 (1,22)				8,5 (0,33)	LK000061	LK000042
VP000180	G 1-1/4"	100 (3,94)	90 (3,54)	70 (2,76)	35 (1,38)	17 (0,67)	75 (2,95)	15 (0,59)	39 (1,54)				8,5 (0,33)	LK000087	LK000094

STANDARD MANIFOLDS

# SAE-XX-2N

WITH OVERRIDE SCREW



For other configurations/quick codes not available in this catalogue page please consult factory

CAVITY	DIMENSIONS: mm (inches)												QUICK CODE	
	A	B	C	D	E	F	G	H	I	L	M	N	P	Steel
SAE-08-2N	G 1/4"	50 (1,96)	68 (2,68)	30 (1,18)	34 (1,34)	6 (0,24)	16 (0,63)	6 (0,24)	13 (0,51)	9 (0,35)	13 (0,51)	6,5 (0,26)	KS000009	KS000003
	G 3/8"	50 (1,96)	68 (2,68)	30 (1,18)	34 (1,34)	6 (0,24)	16 (0,63)	6 (0,24)	13 (0,51)	9 (0,35)	13 (0,51)	6,5 (0,26)	KS000008	KS000002