



ATLANTIC
Fluid Tech

**SECTION
22**

Accessories
and Spare

ACCESSORIES AND SPARE

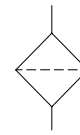
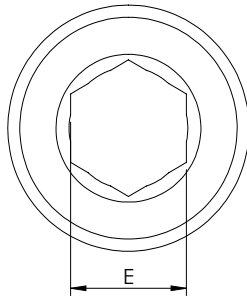
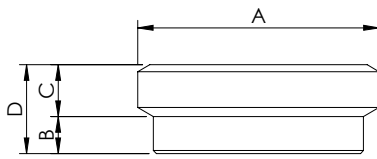


Hydraulic scheme	Valve description	Valve type	Rated flow l/min (gpm)	Max. pressure bar (psi)	Installation	Main port size or cavity type	Page
	Filter G 3/8"	300 micron filtration	50 (13)	Δp 35 (Δp 500)	Insert	G1/4"	22.010
	Filter G 1/4"	300 micron filtration	25 (7)		Insert	G3/8"	22.010
	Filter G 1/8"	300 micron filtration	10 (3)		Insert	G1/8"	22.010
	Manual override	Detent type	-	-	Screw	-	22.020
	Sleeve body G 1/4"	For hose burst and check valve	-	350 (5000)	In line	G1/4"	22.030
	Sleeve body G 3/8"	For hose burst and check valve	-	350 (5000)	In line	G3/8"	22.030
	Sleeve body G 1/2"	For hose burst and check valve	-	350 (5000)	In line	G1/2"	22.030
	Sleeve body G 3/4"	For hose burst and check valve	-	350 (5000)	In line	G3/4"	22.030
	Sleeve body G 1/4"	For flow control valve	-	350 (5000)	In line	G1/4"	22.040
	Sleeve body G 3/8"	For flow control valve	-	350 (5000)	In line	G3/8"	22.040
	Sleeve body G 1/2"	For flow control valve	-	350 (5000)	In line	G1/2"	22.040
	Sleeve body G 3/4"	For flow control valve	-	350 (5000)	In line	G3/4"	22.040
	CFSN-090-PBSR-06	For flow control valve	0 - 6 (0 - 2)	350 (5000)	In line	VP000132	22.050
	CFSN-090-PBSR-12	For flow control valve	0 - 12 (0 - 3)	350 (5000)	In line	VP000132	22.050
	CFSN-090-PBSR-25	For flow control valve	0 - 25 (0 - 7)	350 (5000)	In line	VP000132	22.050
	CFSN-090-PBSR-32	For flow control valve	0 - 32 (0 - 8)	350 (5000)	In line	VP000132	22.050
	CFSN-090-PBSR-50	For flow control valve	0 - 50 (0 - 13)	350 (5000)	In line	VP000132	22.050
	CFSN-090-PBSR-63	For flow control valve	0 - 63 (0 - 17)	350 (5000)	In line	VP000132	22.050
	CFSN-090-PBSR-70	For flow control valve	0 - 70 (0 - 19)	350 (5000)	In line	VP000132	22.050
	CFSN-090-PBSR-80	For flow control valve	0 - 80 (0 - 21)	350 (5000)	In line	VP000132	22.050
	CFSN-200-BHSR	For flow control valve	-	350 (5000)	In line	VP000096 VP000152	22.060
	CFSN-200-BVSR	For flow control valve	-	350 (5000)	In line	VP000096 VP000152	22.060
	CFSN-200-BMSR	For flow control valve	-	350 (5000)	In line	VP000096 VP000152	22.060
	CFSN-090-BHSR	For flow control valve	-	350 (5000)	In line	VP000132	22.060
	CFSN-090-BVSR	For flow control valve	-	350 (5000)	In line	VP000132	22.060
	CFSN-090-BMSR	For flow control valve	-	350 (5000)	In line	VP000132	22.060
	CFSN-035-BHSR	For flow control valve	-	350 (5000)	In line	VP000132	22.060
	CFSN-035-BVSR	For flow control valve	-	350 (5000)	In line	VP000132	22.060
	CFSN-035-BMSR	For flow control valve	-	350 (5000)	In line	VP000132	22.060
	VP000057 G 3/4"	Cavity plug	-	-	In line	VP000057	22.070
	VP000013 G 1"	Cavity plug	-	-	In line	VP000013	22.070
	SAE-XX-2N	Cavity plug	-	-	In line	-	22.080
	SAE-XX-3N	Cavity plug	-	-	In line	-	22.090
	SAE-XX-4N	Cavity plug	-	-	In line	-	22.100
	Seal kit	Cavity Personalized	-	-	-	-	22.110
		Cavity SAE	-	-	-	-	22.140

ACCESSORIES

FILTER

SCREW IN FILTER



SPECIFICATIONS

Max. operating Δp :	35 bar (500 psi)
Rated flow:	See table
Weight:	8 g (0,02 lbs)
Cavity:	See table
Contamination class to ISO 4406:	See technical spec.
MTTF:	150 - 1200 years: See technical spec.
For other configurations/quick codes not available in this catalogue page please consult factory	

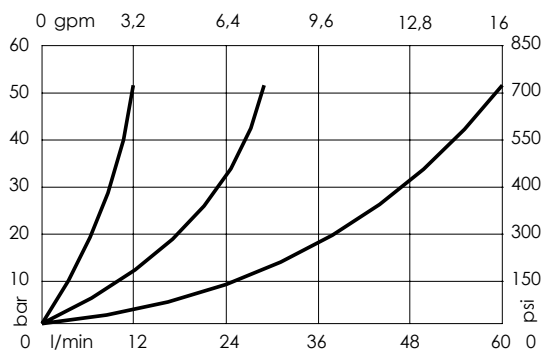
Dimensions: mm [inches]

APPLICATION LIMITATIONS

Not suitable for use with:

- fast acting valve
- cold oil
- high viscosity oil
- other conditions creating pressure drop greater than 35 bar (500 psi)
- max. operating pressure is 350 bar (5000 psi)

CURVES



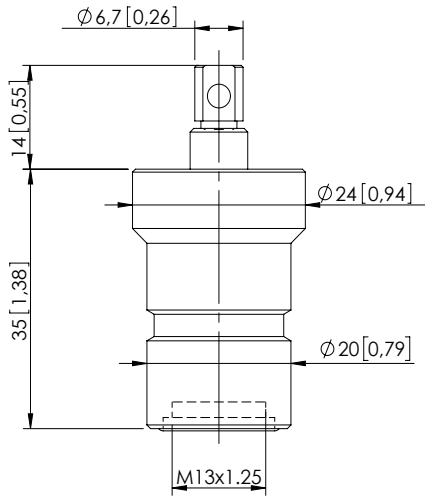
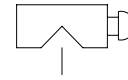
ORDERING CODES

Quick code	Description	Max. flow	Filtration	A	B	C	D	E	Installation torque
CT000002	Filter G 3/8"	50 l/min (13 gpm)	300 micron (0,0118 in)	G 3/8"	2,5 [0,10]	3,5 [0,14]	6 [0,24]	8 [0,31]	10 Nm (7 ft.-lb)
CT000003	Filter G 1/4"	25 l/min (7 gpm)	300 micron (0,0118 in)	G 1/4"	2 [0,08]	3 [0,12]	5 [0,20]	6 [0,24]	5 Nm (4 ft.-lb)
CT000004	Filter G 1/8"	10 l/min (3 gpm)	300 micron (0,0118 in)	G 1/8"	1,6 [0,06]	2,2 [0,09]	3,8 [0,15]	5 [0,20]	3 Nm (2 ft.-lb)

Revision A1

MANUAL OVERRIDE

DETENT TYPE



Dimensions: mm [inches]

NOTES

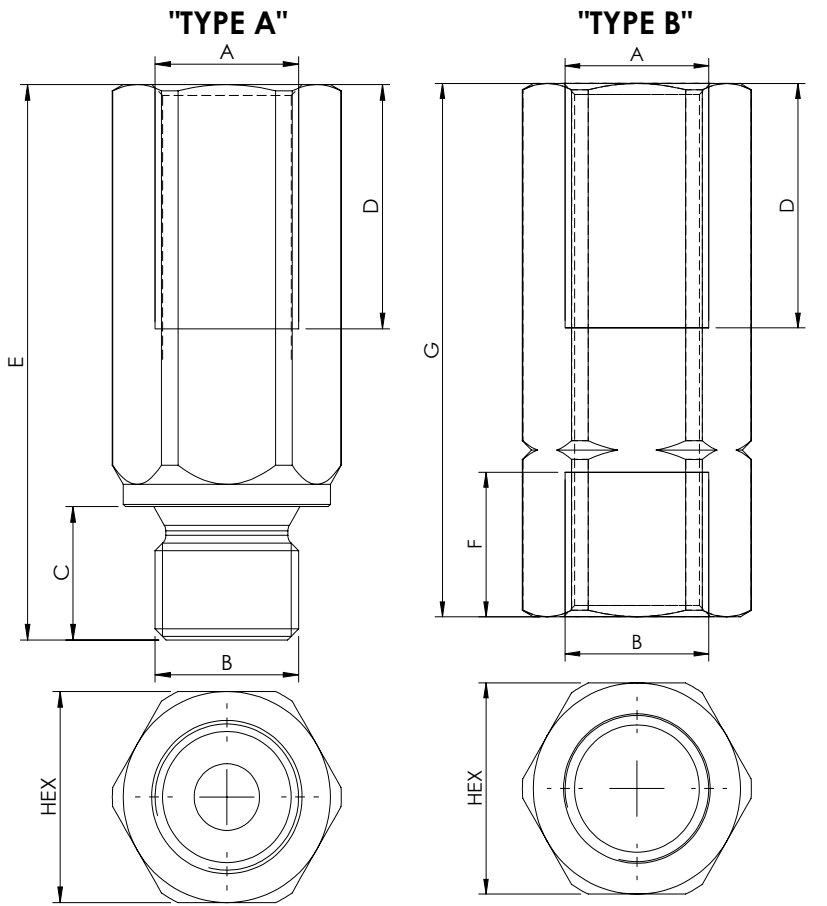
Suitable for push style override solenoid valves.

ORDERING CODES

Quick code	Description	
ST000364	Manula override	

SLEEVE BODY

SLEEVE



Dimensions: mm [inches]

SPECIFICATIONS

Max. operating pressure:	350 bar (5000 psi)
Material:	Steel
Contamination class to ISO 4406:	See technical spec.
MTF _d :	150 - 1200 years: See technical spec.

NOTES

Suitable for:
 -Hose burst valve (CFHN-XXX-MHST)
 For other configurations/quick codes not available in this catalogue page please consult factory

ORDERING CODES

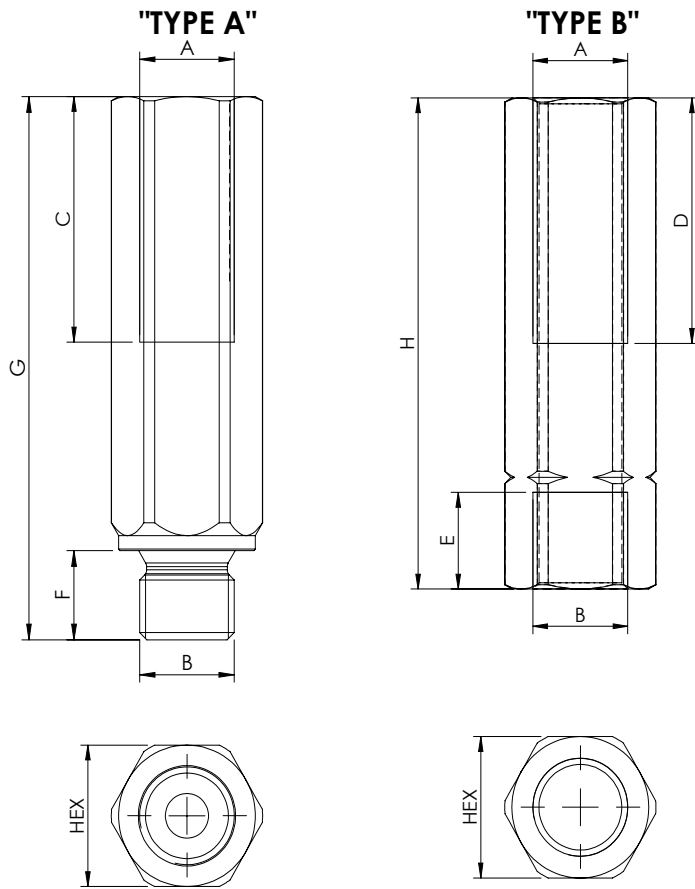
Quick code "TYPE A"	Quick code "TYPE B"	A/B	C	D	E	F	G	Hex.	Weight "TYPE A"	Weight "TYPE B"
PC000127	PC000315	G 1/4"	12 [0,47]	22 [0,86]	50 [1,97]	13 [0,51]	48 [1,89]	19 [0,75]	0,07 kg (0,15 lb)	0,07 kg (0,15 lb)
PC000128	PC000260	G 3/8"	12 [0,47]	26 [1,02]	55 [2,17]	13 [0,51]	52 [2,05]	22 [0,87]	0,09 kg (0,20 lb)	0,09 kg (0,20 lb)
PC000129	PC000349	G 1/2"	14 [0,55]	30 [1,18]	65 [2,55]	15 [0,59]	60 [2,36]	27 [1,06]	0,16 kg (0,35 lb)	0,15 kg (0,33 lb)
PC000130	PC000496	G 3/4"	16 [0,63]	38 [1,49]	78 [3,07]	17 [0,66]	72 [2,83]	32 [1,26]	0,25 kg (0,55 lb)	0,23 kg (0,51 lb)
PC000580	PC000581	G 1"	18 [0,70]	47 [1,85]	92 [3,62]	19 [0,74]	85 [3,34]	41 [1,61]	0,50 kg (1,1 lb)	0,46 kg (1,0 lb)

Revision B

SLEEVE BODY



SLEEVE



Dimensions: mm [inches]

SPECIFICATIONS

Max. operating pressure:	350 bar (5000 psi)
Material:	Steel
Contamination class to ISO 4406:	See technical spec.
MTF _a :	150 - 1200 years: See technical spec.

NOTES

Suitable for:
 -Flow control valves (CFST-XXX-MDST)
 For other configurations/quick codes not available in this catalogue page please consult factory

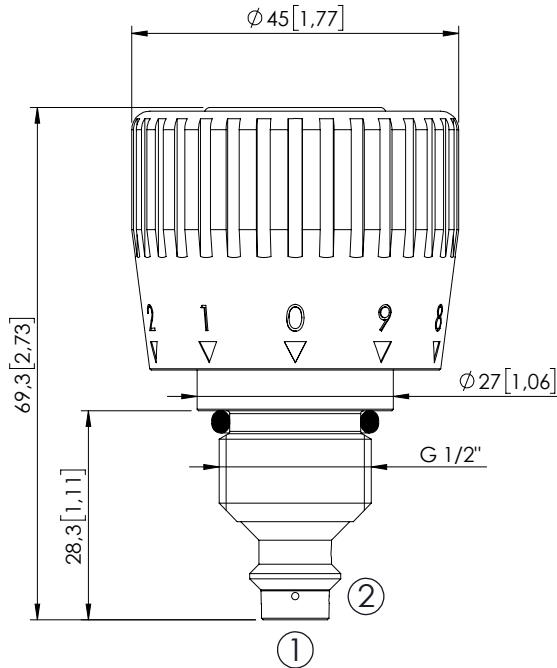
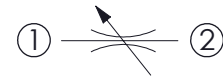
ORDERING CODES

Quick code "TYPE A"	Quick code "TYPE B"	A/B	C	D	E	F	G	H	Hex.	Weight "TYPE A"	Weight "TYPE B"
PC000196	PC000232	G 1/4"	33 [1,30]	33 [1,30]	13 [0,51]	12 [0,47]	73 [2,87]	66 [2,60]	19 [0,75]	0,12 kg (0,26 lb)	0,10 kg (0,22 lb)
PC000197	PC000249	G 3/8"	40 [1,57]	34 [1,34]	13 [0,51]	12 [0,47]	82 [3,23]	70 [2,76]	22 [0,87]	0,15 kg (0,33 lb)	0,13 kg (0,30 lb)
PC000162	PC000462	G 1/2"	45 [1,77]	40 [1,57]	15 [0,59]	14 [0,55]	96 [3,78]	80 [3,15]	27 [1,06]	0,25 kg (0,55 lb)	0,21 kg (0,46 lb)
PC000198	PC000165	G 3/4"	51 [2,01]	51 [2,01]	17 [0,66]	16 [0,63]	105 [4,13]	100 [3,94]	32 [1,26]	0,35 kg (0,77 lb)	0,32 kg (0,70 lb)

ACCESSORIES

CFSN-090-BPSR

FLOW REGULATOR
SPARE PART



Dimensions: mm [inches]

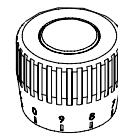
SPECIFICATIONS

Max. operating pressure:	350 bar (5000 psi)
Rated flow:	80 l/min (21 gpm)
Cavity:	VP000132
Weight:	0,25 kg 0,55 lbs)
Installation torque:	130 - 140 Nm (96 - 103 ft-lb)
Seal kit:	RC700132
Contamination class to ISO 4406:	See technical spec.
MTF _d :	150 - 1200 years: See technical spec.

NOTES

Components we be supplied partially disassembled.
Contact AFT sales network for assembling instruction
For other configurations/quick codes not available in this catalogue page please consult factory

OPTIONS

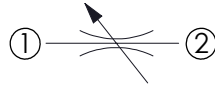


Graduated handknob
for flow regulation
under pressure

ORDERING CODES

Quick code	Description	Flow range adjustment	Options
CF000237	CFSN-090-BMSR-06-132-N350	0-6 l/min (0-2 gpm)	Graduated handknob
CF000238	CFSN-090-BMSR-12-132-N350	0-12 l/min (0-3 gpm)	Graduated handknob
CF000239	CFSN-090-BMSR-25-132-N350	0-25 l/min (7 gpm)	Graduated handknob
CF000240	CFSN-090-BMSR-32-132-N350	0-32 l/min (0-8 gpm)	Graduated handknob
CF000392	CFSN-090-BMSR-50-132-N350	0-50 l/min (0-13 gpm)	Graduated handknob
CF000242	CFSN-090-BMSR-63-132-N350	0-63 l/min (0-17 gpm)	Graduated handknob
CF000243	CFSN-090-BMSR-70-132-N350	0-70 l/min (0-19 gpm)	Graduated handknob
CF000244	CFSN-090-BMSR-80-132-N350	0-80 l/min (0-21 gpm)	Graduated handknob

FLOW CONTROL



	REGULATION TYPE		
	STANDARD (G 3/4")	STANDARD (G 1/2")	FINE
A D J U S T M E N T T Y P E	<p>Hex.30 [1,18] 40,3 max. [1,59 max.] 1 [0,04]</p> <p>Screw and locknut Ø 38 [1,50]</p>	<p>Hex.27 [1,06] 38 max. [1,50 max.] 1 [0,04]</p> <p>Screw and locknut Ø 38 [1,50]</p>	<p>Hex.27 [1,06] 38,8 max. [1,53 max.] 1 [0,04]</p> <p>Screw and locknut Ø 38 [1,50]</p>
	<p>45 max. [1,77 max.]</p> <p>Handknob and locknut Ø 45 [1,77]</p>	<p>44 max. [1,73 max.]</p> <p>Handknob and locknut Ø 45 [1,77]</p>	<p>44,5 max. [1,75 max.]</p> <p>Handknob and locknut Ø 45 [1,77]</p>
	<p>44,5 max. [1,75 max.]</p> <p>Graduated handknob Ø 45 [1,77]</p>	<p>41,5 max. [1,63 max.]</p> <p>Graduated handknob Ø 45 [1,77]</p>	<p>42 max. [1,65 max.]</p> <p>Graduated handknob Ø 45 [1,77]</p>
R E G U L A T I O N	<p>31,3 [1,23] G3/4" Totally closed</p>	<p>24 [0,94] G1/2" Totally closed</p>	<p>24 [0,94] G1/2" Totally closed</p>

SPECIFICATIONS

Max. operating pressure:	350 bar (5000 psi)
Rated flow:	See table
Cavity:	See table
Contamination class to ISO 4406:	See technical spec.
MTF _d :	150 - 1200 years: See technical spec.

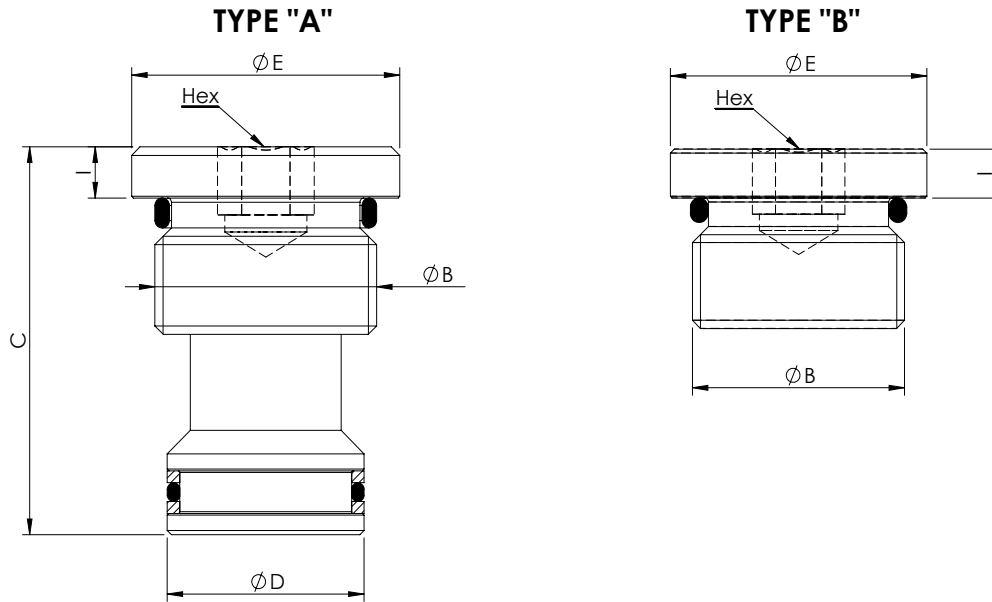
NOTES

Dimensions: mm [inches]

- Spare parts for flow regulations parts parts in body.
 - Contact AFT sales network for assembling instruction.
- For other configurations/quick codes not available in this catalogue page please consult factory

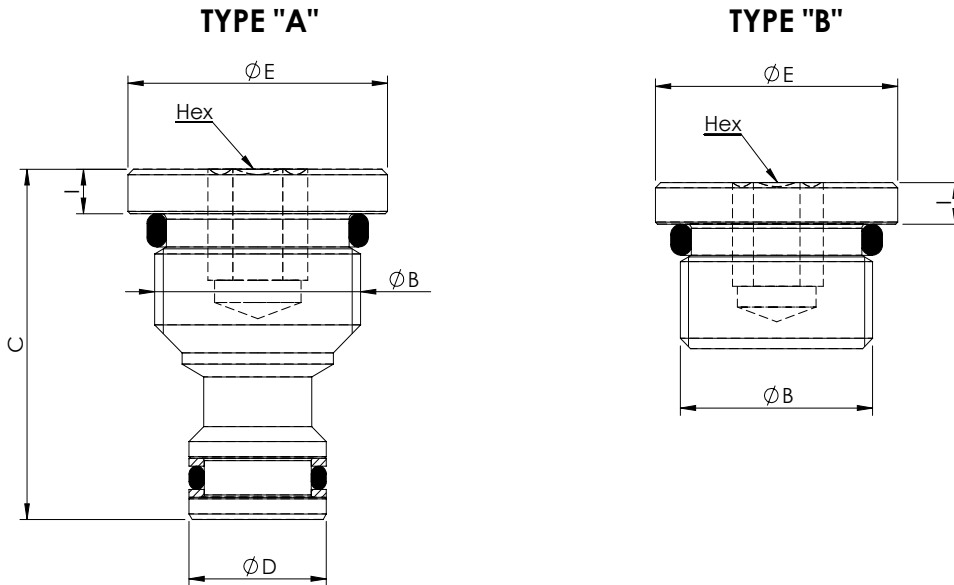
ORDERING CODES

Quick code	Description	Options	Regulated sensivity	Max. flow regulation	Cavity	Installation torque
CF000015	CFSN-200-BHSR-NP-096-N350	Screw and locknut	Standard (G 3/4")	90-190 l/min (24-50 gpm)	VP000096 VP000152	120-150 Nm (89-111 ft-lb)
CF000030	CFSN-200-BVSR-NP-096-N350	Handknob and locknut	Standard (G 3/4")	90-190 l/min (24-50 gpm)	VP000096 VP000152	120-150 Nm (89-111 ft-lb)
CF000042	CFSN-200-BMSR-NP-096-N350	Graduated handknob	Standard (G 3/4")	90-190 l/min (24-50 gpm)	VP000096 VP000152	120-150 Nm (89-111 ft-lb)
CF000029	CFSN-090-BHSR-NP-132-N350	Screw and locknut	Standard (G 1/2")	55 l/min (15 gpm)	VP000132	75-85 Nm (55-63 ft-lb)
CF000019	CFSN-090-BVSR-NP-132-N350	Handknob and locknut	Standard (G 1/2")	55 l/min (15 gpm)	VP000132	75-85 Nm (55-63 ft-lb)
CF000033	CFSN-090-BMSR-NP-132-N350	Graduated handknob	Standard (G 1/2")	55 l/min (15 gpm)	VP000132	75-85 Nm (55-63 ft-lb)
CF000036	CFSN-035-BHSR-NP-132-N350	Screw and locknut	Fine	30 l/min (8 gpm)	VP000132	75-85 Nm (55-63 ft-lb)
CF000037	CFSN-035-BVSR-NP-132-N350	Handknob and locknut	Fine	30 l/min (8 gpm)	VP000132	75-85 Nm (55-63 ft-lb)
CF000034	CFSN-035-BMSR-NP-132-N350	Graduated handknob	Fine	30 l/min (8 gpm)	VP000132	75-85 Nm (55-63 ft-lb)



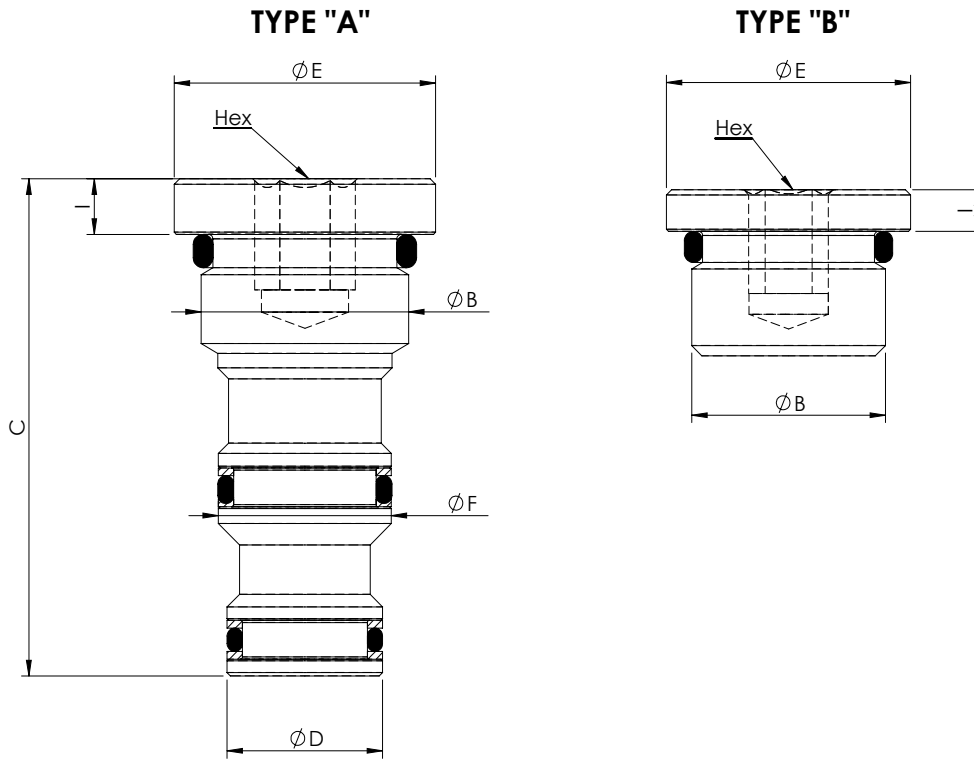
ORDERING CODES

Quick code TYPE A	Quick code TYPE B	A	B	C	D	E	F	G	Hex.	I	Installation torque
ST000259	ST000278	VP000057	G 3/4"	45,5 [1,79]	23,5 [0,93]	32 [1,26]			10 [0,39]	6 [0,24]	110-130 Nm (81-96 ft-lb)
ST000337	ST000338	VP000013	G 1"	55 [2,17]	30 [1,18]	38 [1,50]			13 [0,51]	6 [0,24]	135-150 Nm (100-111 ft-lb)



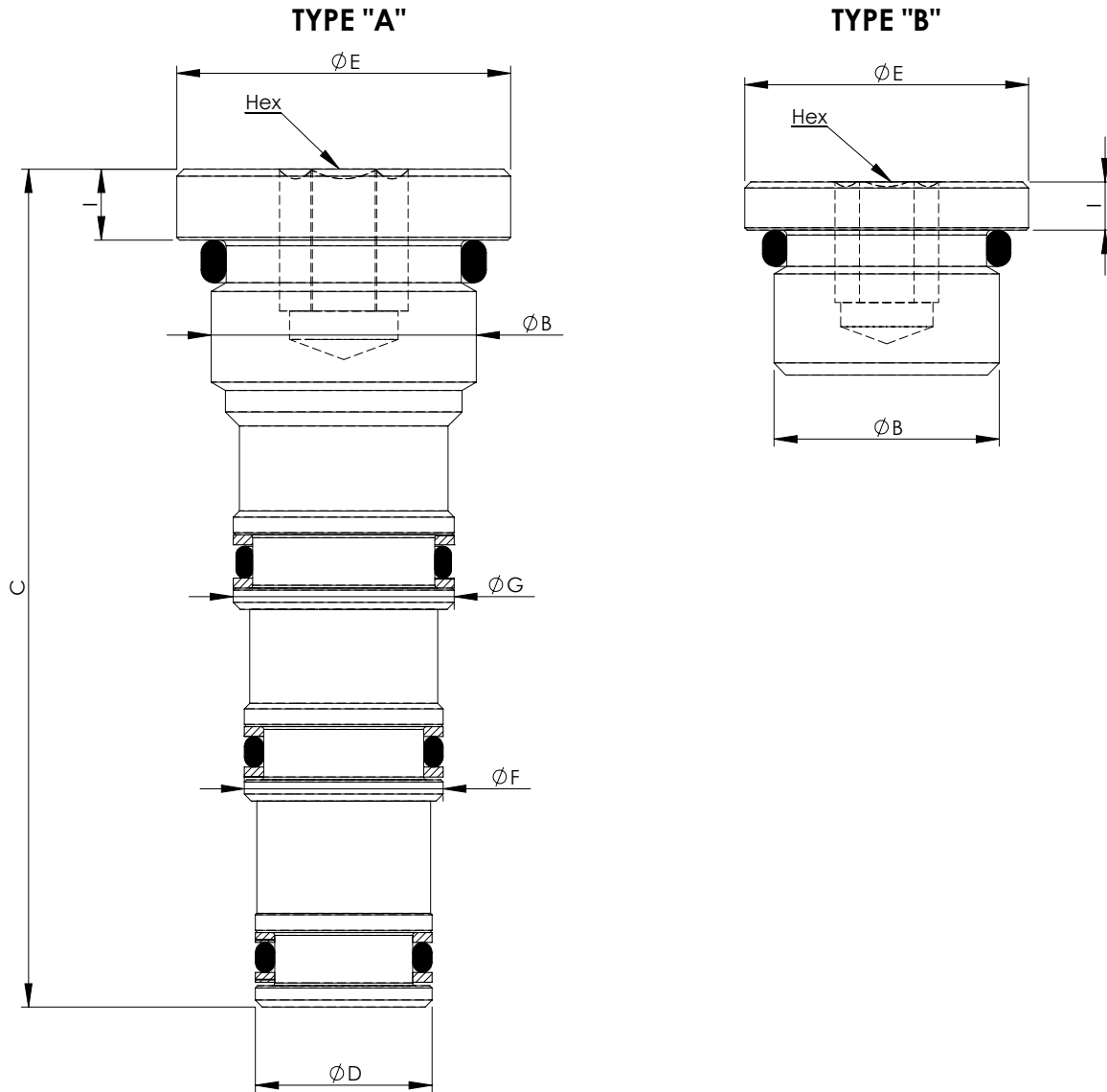
ORDERING CODES

Quick code TYPE A	Quick code TYPE B	A	B	C	D	E	F	Hex.	I	Installation torque
ST000027	ST000331	SAE-08-2N	3/4-16 UNF	31,5 [1,24]	12,7 [0,50]	24 [0,94]		8 [0,31]	4 [0,16]	45-50 Nm (33-37 ft-lb)
ST000332	ST000333	SAE-10-2N	7/8-14 UNF	38 [1,50]	15,87 [0,62]	27 [1,06]		10 [0,39]	6 [0,24]	50-55 Nm (37-41 ft-lb)
	ST000208	SAE-12-2N	1 1/16-12 UNF			32 [1,26]		13 [0,51]	6 [0,24]	100-110 Nm (74-81 ft-lb)
	ST000396	SAE-16-2N	1 5/16-12 UNF			38 [1,50]		15 [0,59]	6 [0,24]	170-190 Nm (125-140 ft-lb)
	ST000397	SAE-20-2N	1 5/8-12 UNF			46 [1,81]		17 [0,67]	6 [0,24]	280-320 Nm (207-236 ft-lb)



ORDERING CODES

Quick code TYPE A	Quick code TYPE B	A	B	C	D	E	F	Hex.	I	Installation torque
ST000292	ST000331	SAE-08-3N	3/4-16 UNF	44,7 [1,76]	14,27 [0,56]	24 [0,94]	15,87 [0,62]	8 [0,31]	5 [0,20]	45-50 Nm (33-37 ft-lb)
ST000334	ST000333	SAE-10-3N	7/8-14 UNF	53 [2,09]	15,87 [0,62]	27 [1,06]	17,47 [0,69]	10 [0,39]	6 [0,24]	50-55 Nm (37-41 ft-lb)
	ST000208	SAE-12-3N	1 1/16-12 UNF			32 [1,26]		13 [0,51]	6 [0,24]	100-110 Nm (74-81 ft-lb)
	ST000396	SAE-16-3N	1 5/16-12 UNF			38 [1,50]		15 [0,59]	6 [0,24]	170-190 Nm (125-140 ft-lb)
	ST000397	SAE-20-3N	1 5/8-12 UNF			46 [1,81]		17 [0,67]	6 [0,24]	280-320 Nm (207-236 ft-lb)



ORDERING CODES

Quick code TYPE A	Quick code TYPE B	A	B	C	D	E	F	G	Hex.	I	Installation torque
ST000335	ST000331	SAE-08-4N	3/4-16 UNF	59 [2,32]	12,7 [0,50]	24 [0,94]	14,28 [0,56]	15,87 [0,62]	8 [0,31]	5 [0,20]	45-50 Nm (33-37 ft-lb)
ST000336	ST000333	SAE-10-4N	7/8-14 UNF	68,6 [2,70]	15,87 [0,62]	27 [1,06]	17,47 [0,69]	19,05 [0,75]	10 [0,39]	6 [0,24]	50-55 Nm (37-41 ft-lb)
	ST000208	SAE-12-4N	1 1/16-12 UNF			32 [1,26]			13 [0,51]	6 [0,24]	100-110 Nm (74-81 ft-lb)
	ST000396	SAE-16-4N	1 5/16-12 UNF			38 [1,50]			15 [0,59]	6 [0,24]	170-190 Nm (125-140 ft-lb)
	ST000397	SAE-20-4N	1 5/8-12 UNF			46 [1,81]			17 [0,67]	6 [0,24]	280-320 Nm (207-236 ft-lb)

SEAL KIT-SPECIAL CAVITIES

CAVITY	BACKUP RING TYPE	NBR 70	NBR 90	VITON 80
VP000005	Single backup ring	RC700005		
	Double backup ring			
VP000006	Single backup ring	RC700006		
	Double backup ring			
VP000008	Single backup ring	RC700008		
	Double backup ring			
VP000013	Single backup ring		RC900013	
	Double backup ring		RD900013	
VP000015	Single backup ring	RC700015		
	Double backup ring			
VP000016	Single backup ring	RC700016		
	Double backup ring			
VP000018	Single backup ring	-		
	Double backup ring	-		
VP000028	Single backup ring	RC700028		
	Double backup ring			
VP000038	Single backup ring	RC700038		
	Double backup ring			
VP000057	Single backup ring		RC900057	
	Double backup ring		RD900057	
VP000058	Single backup ring	RC700058		
	Double backup ring			
VP000065	Single backup ring		RC900065	
	Double backup ring		RD900065	
VP000070	Single backup ring	RC700070		
	Double backup ring			
VP000079	Single backup ring	-		
	Double backup ring	-		
VP000080	Single backup ring		RC900080	
	Double backup ring			
VP000086	Single backup ring	RC700086		
	Double backup ring			
VP000096	Single backup ring			
	Double backup ring			
VP000098	Single backup ring	RC700098		
	Double backup ring			
VP000120	Single backup ring			
	Double backup ring	RD700120		
VP000121	Single backup ring			
	Double backup ring	RD700121		

SEAL KIT - SPECIAL CAVITIES

CAVITY	BACKUP RING TYPE	NBR 70	NBR 90	VITON 80
VP000127	Single backup ring			
	Double backup ring		RD900127	
VP000128	Single backup ring			
	Double backup ring		RD900128	
VP000132	Single backup ring			
	Double backup ring	RC700132		
VP000154	Single backup ring		RC900154	
	Double backup ring			
VP000158	Single backup ring	-		
	Double backup ring	-		
VP000161	Single backup ring	RC700161		
	Double backup ring			
VP000165	Single backup ring	RC700165		
	Double backup ring			
VP000166	Single backup ring	RC700166		
	Double backup ring			
VP000174	Single backup ring			
	Double backup ring	RD700174		
VP000178	Single backup ring	RC700178		
	Double backup ring			
VP000180	Single backup ring			
	Double backup ring			
VP000189	Single backup ring	RC700189		
	Double backup ring			
VP000193	Single backup ring	RC700193		
	Double backup ring			
VP000198	Single backup ring			
	Double backup ring	RD700198		
VP000202	Single backup ring	-		
	Double backup ring	-		
VP000204	Single backup ring	RC700204		
	Double backup ring			
VP000216	Single backup ring	RC700216		
	Double backup ring			
VP000249	Single backup ring		RC900249	
	Double backup ring			
VP000250	Single backup ring		RC900250	
	Double backup ring			
VP000263	Single backup ring	RC700263		
	Double backup ring			

SEAL KIT-STANDARD CAVITIES

CAVITY	BACKUP RING TYPE	NBR 70	NBR 90	VITON 80
SAE-08-2N	Single backup ring	RA700081	RA900081	
	Double backup ring	RB700081	RB900081	
SAE-10-2N	Single backup ring	RA700082	RA900082	
	Double backup ring	RB700082	RB900082	
SAE-12-2N	Single backup ring	RA700083	RA900083	
	Double backup ring			
SAE-16-2N	Single backup ring	RA700084	RA900084	
	Double backup ring			
SAE-20-2N	Single backup ring		RA900085	
	Double backup ring			
SAE-08-3C	Single backup ring	RA700086		
	Double backup ring			
SAE-10-3C	Single backup ring	RA700087		
	Double backup ring	RB700087		
SAE-12-3C	Single backup ring			
	Double backup ring			
SAE-16-3C	Single backup ring			
	Double backup ring			
SAE-20-3C	Single backup ring			
	Double backup ring		RB900090	
SAE-08-3N	Single backup ring			
	Double backup ring	RB700091		
SAE-10-3N	Single backup ring	RA700092		
	Double backup ring	RB700092		
SAE-12-3N	Single backup ring	RA700093		
	Double backup ring			
SAE-16-3N	Single backup ring			
	Double backup ring	RB700094		
SAE-20-3N	Single backup ring			
	Double backup ring			
SAE-08-4N	Single backup ring			
	Double backup ring	RB700101		
SAE-10-4N	Single backup ring			
	Double backup ring	RB700102		
SAE-12-4N	Single backup ring			
	Double backup ring	RB700103		
SAE-16-4N	Single backup ring			
	Double backup ring	RB700104		
SAE-20-4N	Single backup ring			
	Double backup ring			