

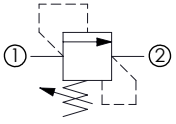
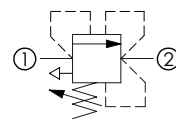
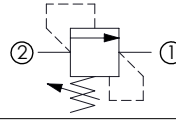
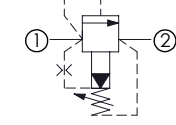
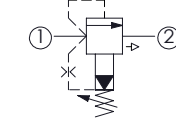
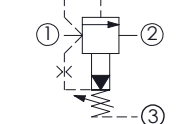


**ATLANTIC**  
Fluid Tech

**SECTION  
1**

Relief Valves

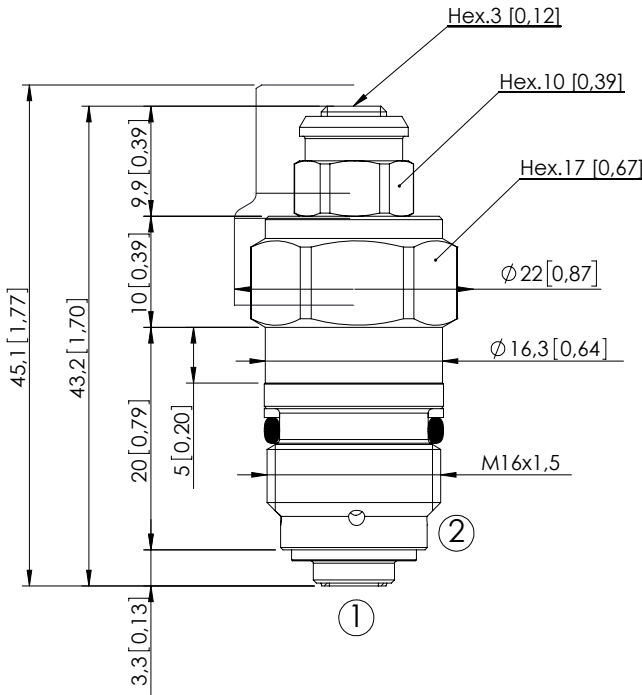
# RELIEF VALVES

Hydraulic scheme	Valve description	Valve type	Rated flow l/min (gpm)	Max. pressure bar (psi)	Installation	Main port size or cavity type	Page
	CPLN-005-DPNA	Direct acting, poppet type	1,5 (0,4)	460 (6600)	Cartridge	VP000005	1.010
	CPLN-020-DPNA	Direct acting, poppet type	20 (5)	420 (6000) 350 (5000)	Cartridge	SAE-08-2N	1.020 1.030
	KPLN-020-DPNA	Direct acting, poppet type	20 (5)	350 (5000)	In line	G1/4" - G3/8"	1.040
	CPLN-XXX-DHNA	Direct acting, poppet type	30 (8)	500 (7200)	Cartridge	VP000008	1.050
	CPLN-080-DPNA	Direct acting, poppet type	80 (21)	420 (6000)	Cartridge	VP000086	1.060
	KPLN-080-DPNA	Direct acting, poppet type	80 (21)	350 (5000)	In line	G1/2" - G3/4"	1.070
	CPLT-005-DPNA	Direct acting, with filter, compensated	1,5 (0,4)	460 (6700)	Cartridge	VP000005	1.080
	CPLT-030-DHNA	Direct acting, poppet type, compensated	30 (8)	420 (6000)	Cartridge	VP000008	1.090
	CPLV-080-DHNA	Direct acting, poppet type, chamber vented	80 (21)	350 (5000)	Cartridge	SAE-16-3C	1.100
	CPLN-040-DHGD	Differential, poppet type	40 (11)	350 (5000)	Cartridge	VP000080	1.110
	CPLN-090-DHGA	Direct acting, poppet type	90 (24)	380 (5400)	Cartridge	VP000249	1.120
	CPLN-120-PSNA	Pilot operated, spool type	120 (32)	350 (5000)	Cartridge	SAE-10-2N	1.130
	KPLN-120-PSNA	Pilot operated, spool type	120 (32)	350 (5000)	In line	G3/8" - G1/2"	1.140
	CPLN-300-PSNA	Pilot operated, spool type	300 (79)	350 (5000)	Cartridge	SAE-16-2N	1.150
	CPLN-500-PHNA	Pilot operated, spool type	500 (132)	350 (5000)	Cartridge	SAE-20-2N	1.160
	CPLT-120-PSNA	Pilot operated, spool type, compensated	120 (32)	350 (5000)	Cartridge	SAE-10-2N	1.170
	CPLV-120-PSNA	Pilot operated, spool type	120 (32)	350 (5000)	Cartridge	SAE-10-2N	1.180

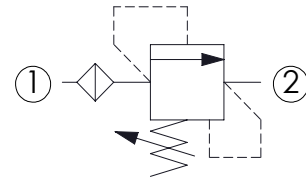
RELIEF VALVE

# CPLN-005-DPNA

DIRECT ACTING  
WITH FILTER



Dimensions: mm [inches]



### SPECIFICATIONS

Max. operating pressure:	460 bar (6700 psi)
Rated flow:	1,5 l/min (0,4 gpm)
Cavity:	VP000005
Weight:	0,05 kg (0,11 lbs)
Contamination class to ISO 4406:	See technical spec.
Seal kit:	RC700005
Installation torque:	27 - 33 Nm (20 - 24 ft-lb)
MTF <sub>a</sub> :	150 - 1200 years: See technical spec.

### NOTES

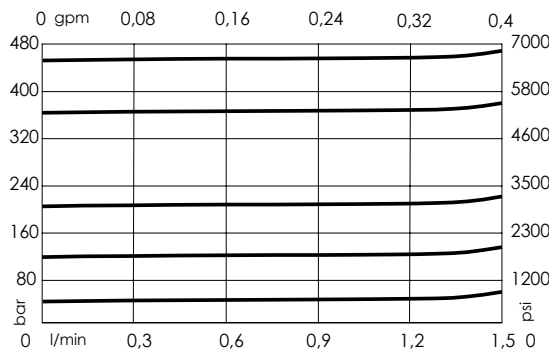
For other configurations/quick codes not available in this catalogue page please consult factory

### SEALING CAP



Ordering code:  
ST000014

### CURVES



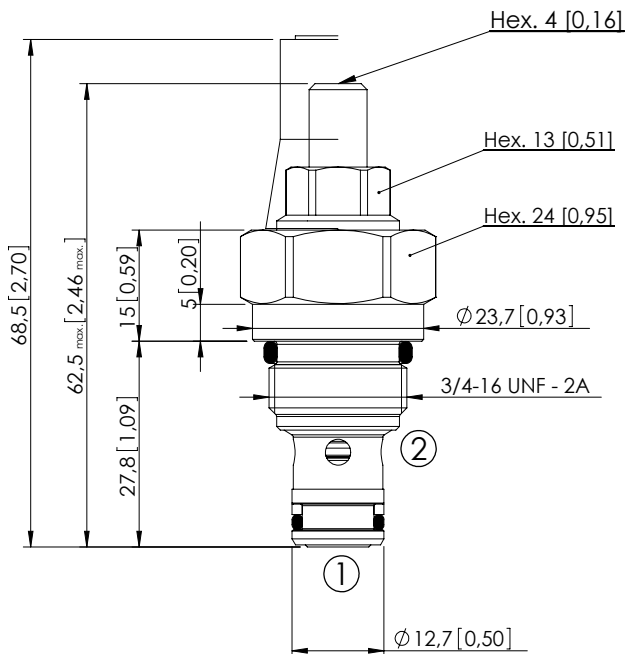
### ORDERING CODES

Quick code	Description	Standard setting (cracking pressure)	Adjustment range	Pressure increase
CP000015	CPLN-005-DPNA-PF-005-N460	460 bar (6700 psi)	150-460 bar (2100-6700 psi)	236 bar/turn (3400 psi/turn)
CP000002	CPLN-005-DPNA-PF-005-N350	350 bar (5000 psi)	120-350 bar (1700-5000 psi)	165 bar/turn (2400 psi/turn)
CP000029	CPLN-005-DPNA-PF-005-N200	200 bar (2800 psi)	100-200 bar (1500-2900 psi)	75 bar/turn (1100 psi/turn)
CP000030	CPLN-005-DPNA-PF-005-N100	100 bar (1400 psi)	25-100 bar (400-1500 psi)	41 bar/turn (600 psi/turn)
CP000277	CPLN-005-DPNA-PF-005-N040	40 bar (600 psi)	10-40 bar (150-600 psi)	22 bar/turn (300 psi/turn)

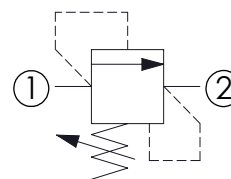
RELIEF VALVE

# CPLN-020-DPNA

DIRECT ACTING  
STABILIZED PISTON



Dimensions: mm [inches]



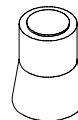
### SPECIFICATIONS

Max. operating pressure:	420 bar (6000 psi)
Rated flow:	20 l/min (5 gpm)
Cavity:	SAE-08-2N
Weight:	0,1 kg (0,22 lbs)
Contamination class to ISO 4406:	See technical spec.
Seal kit:	RA700081
Installation torque:	45 - 50 Nm (33 - 37 ft-lb)
MTF <sub>a</sub> :	150 - 1200 years: See technical spec.

### NOTES

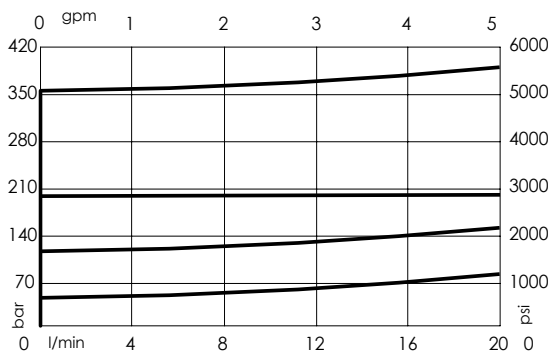
For other configurations/quick codes not available in this catalogue page please consult factory

### SEALING CAP



Ordering code:  
AT000020

### CURVES



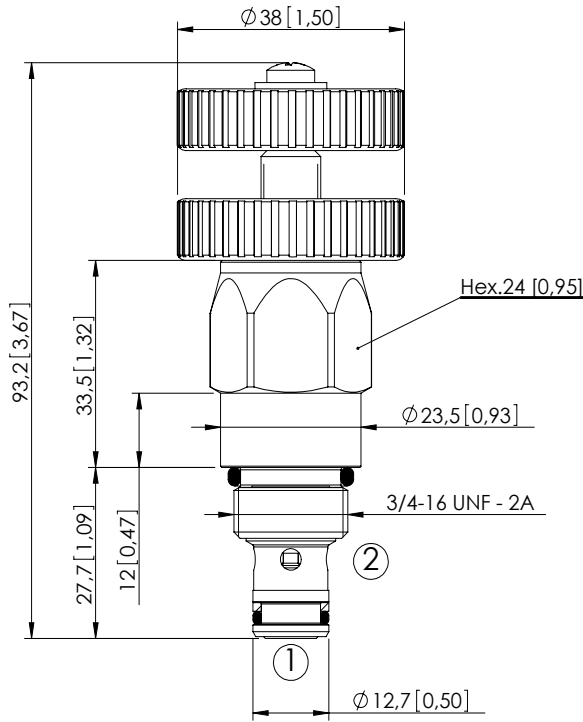
### ORDERING CODES

Quick code	Description	Standard setting (cracking pressure)	Adjustment range	Pressure increase
CP000168	CPLN-020-DPNA-SN-S08-N420	350 bar (5000 psi)	200-420 bar (2800-6000 psi)	207 bar/turn (3000 psi/turn)
CP000025	CPLN-020-DPNA-SN-S08-N350	350 bar (5000 psi)	175-350 bar (2500-5000 psi)	177 bar/turn (2600 psi/turn)
CP000007	CPLN-020-DPNA-SN-S08-N200	200 bar (2900 psi)	105-210 bar (1500-3000 psi)	80 bar/turn (1200 psi/turn)
CP000028	CPLN-020-DPNA-SN-S08-N100	100 bar (1400 psi)	35-140 bar (500-2000 psi)	49 bar/turn (700 psi/turn)
CP000027	CPLN-020-DPNA-SN-S08-N050	50 bar (700 psi)	10-70 bar (150-1000 psi)	26 bar/turn (350 psi/turn)

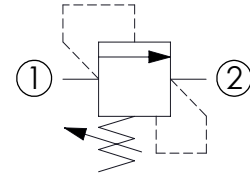
RELIEF VALVE

# CPLN-020-DPNA

DIRECT ACTING



Dimensions: mm [inches]



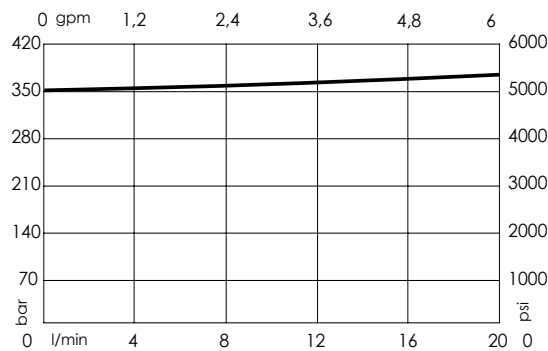
### SPECIFICATIONS

Max. operating pressure:	350 bar (5000 psi)
Rated flow:	20 l/min (6 gpm)
Cavity:	SAE-08-2N
Weight:	0,18 kg (0,4 lbs)
Contamination class to ISO 4406:	See technical spec.
Seal kit:	RA700081
Installation torque:	45 - 50 Nm (33 - 37 ft-lb)
MTF <sub>d</sub> :	150 - 1200 years: See technical spec.

### NOTES

For other configurations/quick codes not available in this catalogue page please consult factory

### CURVES



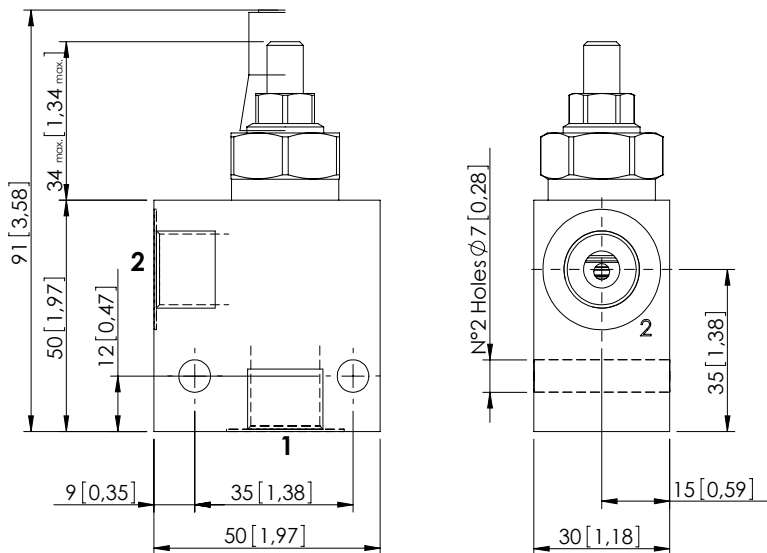
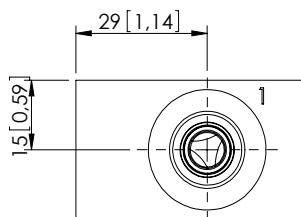
### ORDERING CODES

Quick code	Description	Standard setting (cracking pressure)	Adjustment range	Pressure increase
CP000173	CPLN-020-DPNA-VS-S08-N350	350 bar (5000 psi)	20-350 bar (300-5000 psi)	56 bar/turn (800 psi/turn)

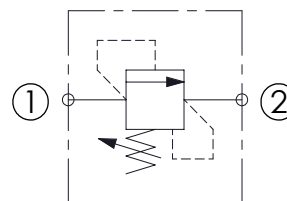
RELIEF VALVE IN BODY

# KPLN-020-DPNA

DIRECT ACTING  
STABILIZED PISTON



Dimensions: mm [inches]



## SPECIFICATIONS

Max. operating pressure:	350 bar (5000 psi)
Rated flow:	20 l/min (5 gpm)
Manifold:	Aluminium
Weight:	0,25 kg (0,55 lbs)
Contamination class to ISO 4406:	See technical spec.
MTF <sub>d</sub> :	150 - 1200 years: See technical spec.

## NOTES

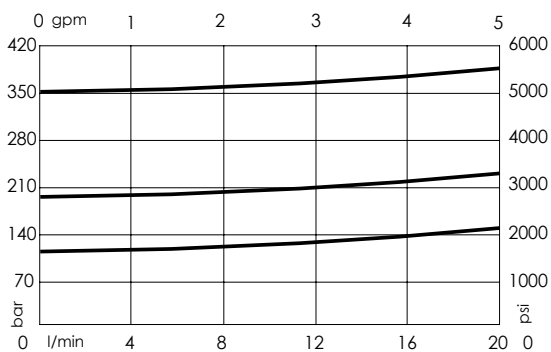
For other configurations/quick codes not available in this catalogue page please consult factory

## SEALING CAP



Ordering code:  
AT000020

## CURVES



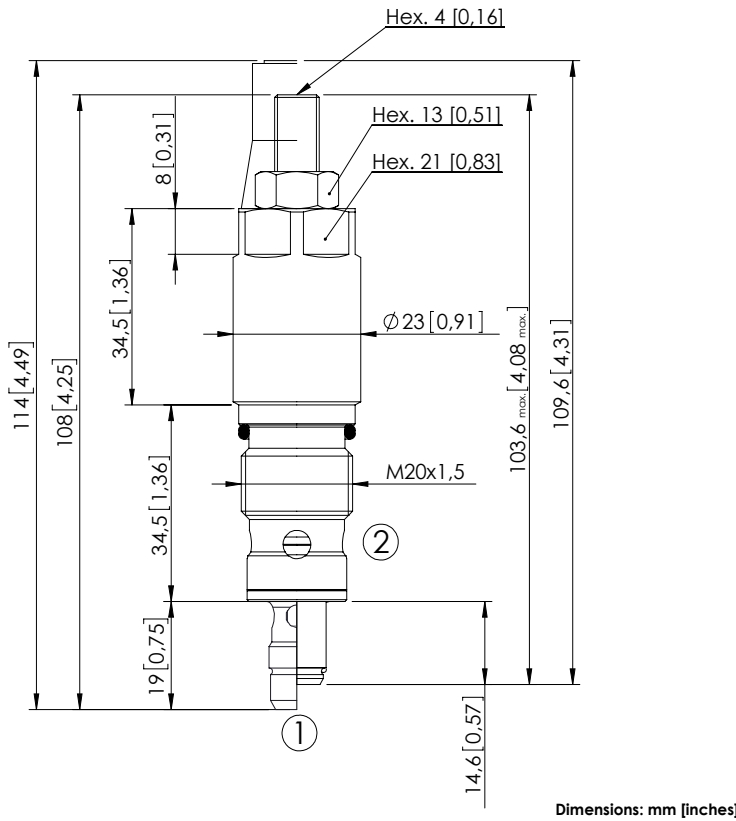
## ORDERING CODES

Quick code	Description	Main ports size	Standard setting Q=5 l/min (1,3 gpm)	Adjustment range	Pressure increase
KP000010	KPLN-020-DPNA-SN-G38-N350	P,T: G 3/8"	350 bar (5000 psi)	175-350 bar (2500-5000 psi)	177 bar/turn (2500 psi/turn)
KP000037	KPLN-020-DPNA-SN-G38-N200	P,T: G 3/8"	200 bar (2900 psi)	105-210 bar (1500-3000 psi)	80 bar/turn (1200 psi/turn)
KP000038	KPLN-020-DPNA-SN-G38-N100	P,T: G 3/8"	100 bar (1400 psi)	35-140 bar (500-2000 psi)	49 bar/turn (700 psi/turn)
KP000008	KPLN-020-DPNA-SN-G14-N350	P,T: G 1/4"	350 bar (5000 psi)	175-350 bar (2500-5000 psi)	177 bar/turn (2500 psi/turn)
KP000039	KPLN-020-DPNA-SN-G14-N200	P,T: G 1/4"	200 bar (2900 psi)	105-210 bar (1500-3000 psi)	80 bar/turn (1200 psi/turn)
KP000040	KPLN-020-DPNA-SN-G14-N100	P,T: G 1/4"	100 bar (1400 psi)	35-140 bar (500-2000 psi)	49 bar/turn (700 psi/turn)

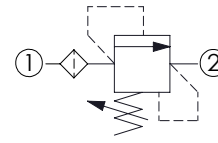
RELIEF VALVE

# CPLN-XXX-DHNA

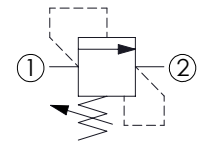
DIRECT ACTING  
STABILIZED PISTON  
HARDENED SEAT



With Filter



Without filter



### SPECIFICATIONS

Max. operating pressure:	500 bar (7200 psi)
Max. operating pressure on T:	350 bar (5000 psi)
Cavity:	VP000008
Weight:	0,17 kg (0,38 lbs)
Contamination class to ISO 4406:	See technical spec.
Seal kit:	RC700008
Installation torque:	40 - 45 Nm (29 - 33 ft-lb)
MTF <sub>d</sub> :	150 - 1200 years: See technical spec.
Filtration:	300 micron

### NOTES

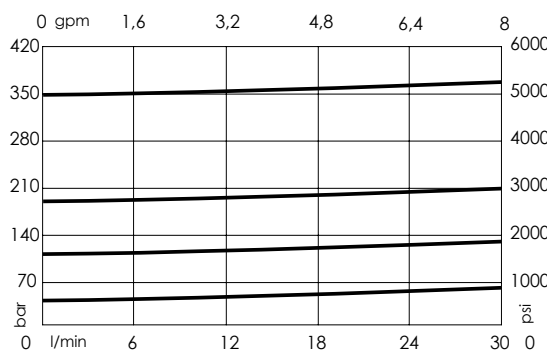
For other configurations/quick codes not available in this catalogue page please consult factory

### SEALING CAP



Ordering code:  
**AT000020**

### CURVES



### ORDERING CODES

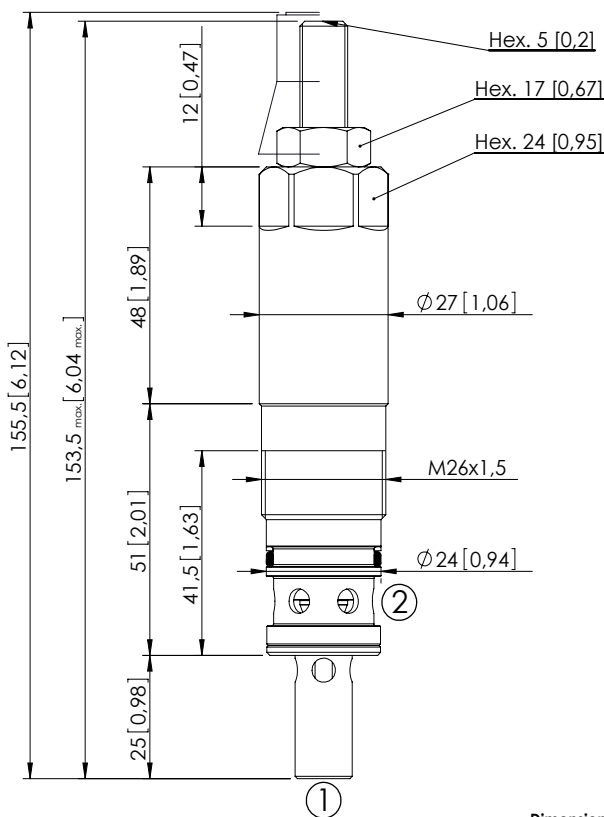
Quick code	Description	Rated flow	Standard setting Q=5 l/min (1,3 gpm)	Adjustment range	Pressure increase	Option
CP000401	CPLN-023-DHNA-HF-008-N500	20 l/min (5 gpm)	350 bar (5000 psi)	150 - 500 bar (2200-7200 psi)	150 bar/turn (2200 psi/turn)	With Filter
CP000411	CPLN-030-DHNA-HF-008-N420	30 l/min (8 gpm)	350 bar (5000 psi)	250-420 bar (3600-6000 psi)	104 bar/turn (1500 psi/turn)	With Filter
CP000082	CPLN-030-DHNA-HN-008-N350	30 l/min (8 gpm)	350 bar (5000 psi)	100-350 bar (1400-5000 psi)	91 bar/turn (1300 psi/turn)	Without Filter
CP000083	CPLN-030-DHNA-HN-008-N200	30 l/min (8 gpm)	200 bar (2900 psi)	50-210 bar (700-3000 psi)	42 bar/turn (600 psi/turn)	Without Filter
CP000084	CPLN-030-DHNA-HN-008-N100	30 l/min (8 gpm)	100 bar (1400 bar)	30-100 bar (400-1400 psi)	20 bar/turn (300 psi/turn)	Without Filter
CP000085	CPLN-030-DHNA-HN-008-N050	30 l/min (8 gpm)	50 bar (700 psi)	10-50 bar (150-700 psi)	10 bar/turn (150 psi/turn)	Without Filter

Revision A1

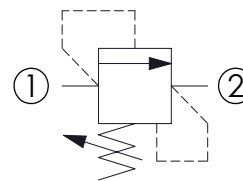
RELIEF VALVE

# CPLN-080-DPNA

DIRECT ACTING  
STABILIZED PISTON



Dimensions: mm [inches]



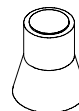
### SPECIFICATIONS

Max. operating pressure:	420 bar (6000 psi)
Rated flow:	80 l/min (21 gpm)
Cavity:	VP000086
Weight:	0,34 kg (0,75 lbs)
Contamination class to ISO 4406:	See technical spec.
Seal kit:	RC700086
Installation torque:	80 - 95 Nm (59 - 70 ft-lb)
MTF <sub>a</sub> :	150 - 1200 years: See technical spec.

### NOTES

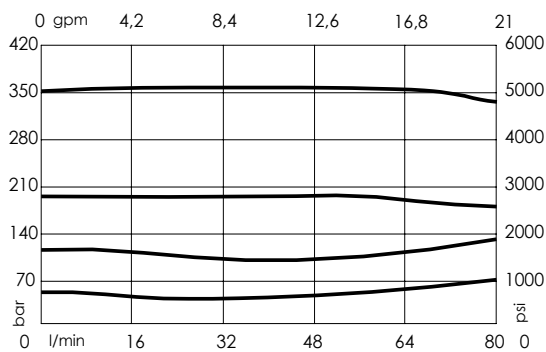
For other configurations/quick codes not available in this catalogue page please consult factory

### SEALING CAP



Ordering code:  
AT000021

### CURVES



### ORDERING CODES

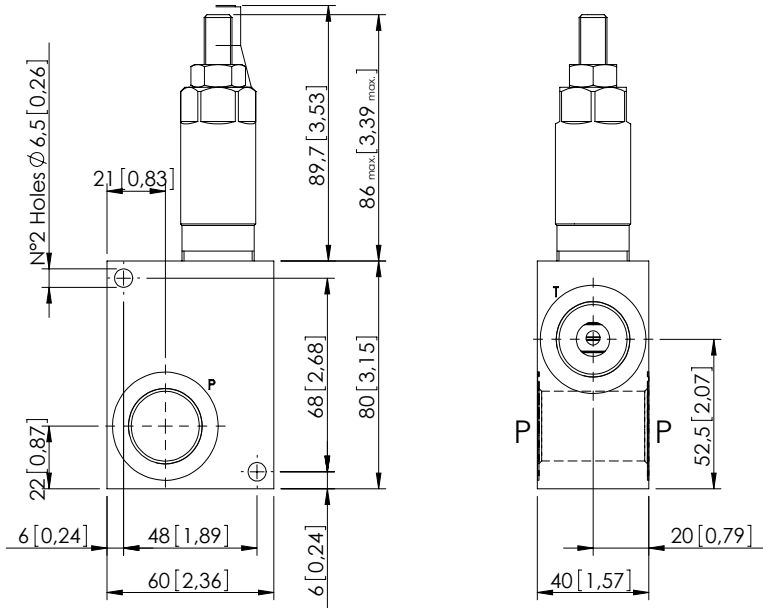
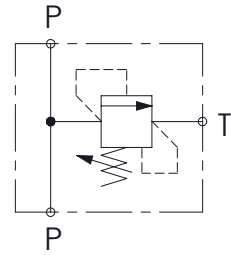
Quick code	Description	Standard setting (cracking pressure)	Adjustment range	Pressure increase
CP000180	CPLN-080-DPNA-HN-086-N420	350 bar (5000 psi)	150-420 bar (2100-6000 psi)	53 bar/turn (750 psi/turn)
CP000026	CPLN-080-DPNA-HN-086-N350	350 bar (5000 psi)	100-350 bar (1400-5000 psi)	42 bar/turn (600 psi/turn)
CP000076	CPLN-080-DPNA-HN-086-N200	200 bar (2900 psi)	60-210 bar (900-3000 psi)	24 bar/turn (350 psi/turn)
CP000077	CPLN-080-DPNA-HN-086-N100	100 bar (1400 psi)	25-100 bar (400-1400 psi)	13 bar/turn (200 psi/turn)
CP000099	CPLN-080-DPNA-HN-086-N050	50 bar (700 psi)	5-50 bar (100-500 psi)	9 bar/turn (150 psi/turn)



RELIEF VALVE IN BODY

# KPLN-080-DPNA

DIRECT ACTING  
STABILIZED PISTON



### SPECIFICATIONS

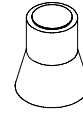
Max. operating pressure:	350 bar (5000 psi)
Rated flow:	80 l/min (21 gpm)
Manifold:	Aluminium
Weight:	0,68 kg (1,5 lbs)
Contamination class to ISO 4406:	See technical spec.
MTTF <sub>d</sub> :	150 - 1200 years: See technical spec.

### NOTES

Codes available with steel manifold.

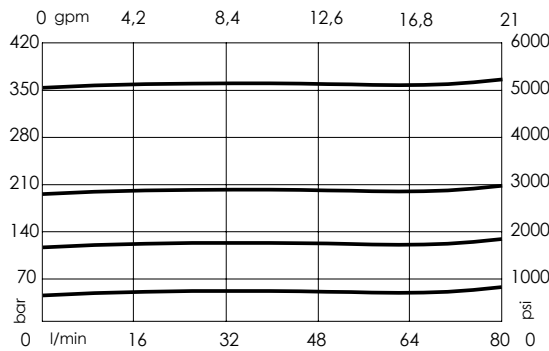
For other configurations/quick codes not available in this catalogue page please consult factory

### SEALING CAP



Ordering code:  
AT000021

### CURVES



### ORDERING CODES

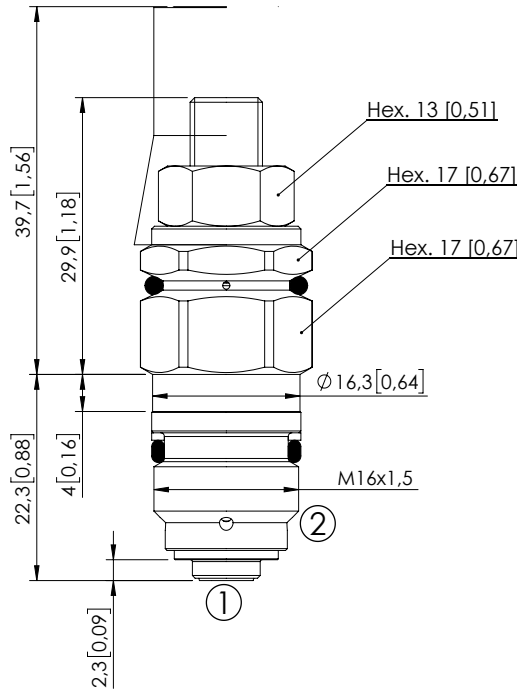
Quick code	Description	Main ports size	Standard setting Q=5 l/min (1,3 gpm)	Adjustment range	Pressure increase
KP000018	KPLN-080-DPNA-HN-G34-N350	P,T: G 3/4"	350 bar (5000 psi)	100-350 bar (1400-5000 psi)	42 bar/turn (600 psi/turn)
KP000070	KPLN-080-DPNA-HN-G34-N200	P,T: G 3/4"	200 bar (2900 psi)	60-210 bar (900-3000 psi)	24 bar/turn (350 psi/turn)
KP000069	KPLN-080-DPNA-HN-G34-N100	P,T: G 3/4"	100 bar (1400 psi)	25-100 bar (350-1400 psi)	13 bar/turn (200 psi/turn)
KP000098	KPLN-080-DPNA-HN-G34-N050	P,T: G 3/4"	50 bar (700 psi)	5-50 bar (100-700 psi)	9 bar/turn (150 psi/turn)
KP000016	KPLN-080-DPNA-HN-G12-N350	P,T: G 1/2"	350 bar (5000 psi)	100-350 bar (1400-5000 psi)	42 bar/turn (600 psi/turn)
KP000090	KPLN-080-DPNA-HN-G12-N200	P,T: G 1/2"	200 bar (2900 psi)	60-210 bar (900-3000 psi)	24 bar/turn (350 psi/turn)
KP000091	KPLN-080-DPNA-HN-G12-N100	P,T: G 1/2"	100 bar (1400 psi)	25-100 bar (350-1400 psi)	13 bar/turn (200 psi/turn)
KP000099	KPLN-080-DPNA-HN-G12-N050	P,T: G 1/2"	50 bar (700 psi)	5-50 bar (100-700 psi)	9 bar/turn (150 psi/turn)

Revision A1

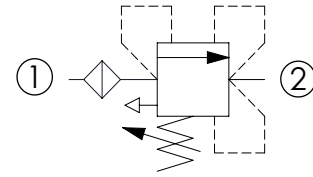
RELIEF VALVE

# CPLT-005-DPNA

DIRECT ACTING  
WITH FILTER  
COMPENSATED



Dimensions: mm [inches]



### SPECIFICATIONS

Max. operating pressure:	460 bar (6700 psi)
Rated flow:	1,5 l/min (0,4 gpm)
Cavity:	VP000005
Weight:	0,06 kg (0,11 lbs)
Contamination class to ISO 4406:	See technical spec.
Seal kit:	RC700005
Installation torque:	27 - 33 Nm (20 - 24 ft-lb)
MTF <sub>d</sub> :	150 - 1200 years: See technical spec.

### NOTES

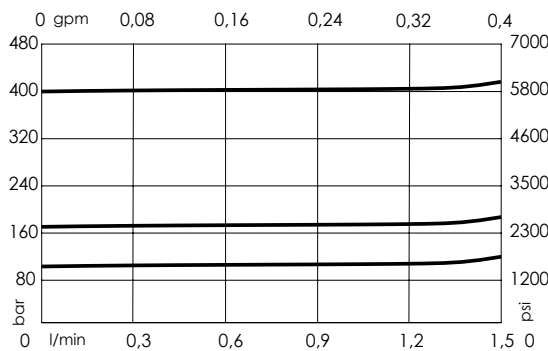
For other configurations/quick codes not available in this catalogue page please consult factory

### SEALING CAP



Ordering code:  
AT000020

### CURVES



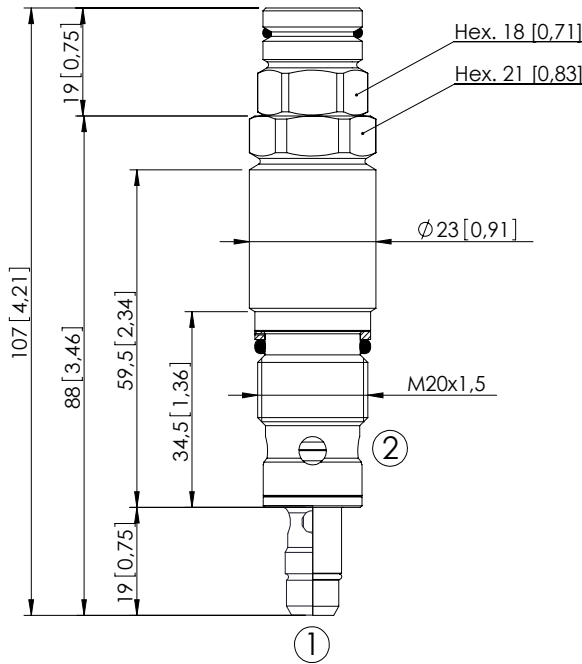
### ORDERING CODES

Quick code	Description	Standard setting (Cracking Pressure)	Adjustment range	Pressure increase
CP000262	CPLT-005-DPNA-HF-005-N460	400 bar (5800 psi)	150-460 bar (2100-6700 psi)	296 bar/turn (4300 psi/turn)
CP000263	CPLT-005-DPNA-HF-005-N200	170 bar (2400 psi)	100-200 bar (1400-2900 psi)	93 bar/turn (1300 psi/turn)
CP000454	CPLT-005-DPNA-HF-005-N100	100 bar (1400 psi)	25-100 bar (350-1400 psi)	41 bar/turn (600 psi/turn)

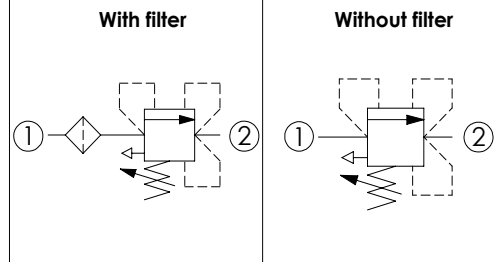
RELIEF VALVE

# CPLT-030-DHNA

DIRECT ACTING COMPENSATED  
STABILIZED PISTON  
HARDENED SEAT



Dimensions: mm [inches]



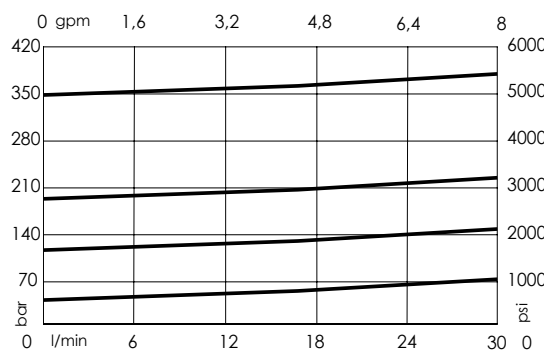
## SPECIFICATIONS

Max. operating pressure:	420 bar (6000 psi)
Max. operating pressure on T:	350 bar (5000 psi)
Rated flow:	30 l/min (8 gpm)
Cavity:	VP000008
Weight:	0,2 kg (0,44 lbs)
Contamination class to ISO 4406:	See technical spec.
Seal kit:	RC700008
Installation torque:	45 - 50 Nm (33 - 37 ft-lb)
MTF <sub>a</sub> :	150 - 1200 years: See technical spec.
Filtration:	300 micron

## NOTES

For other configurations/quick codes not available in this catalogue page please consult factory

## CURVES



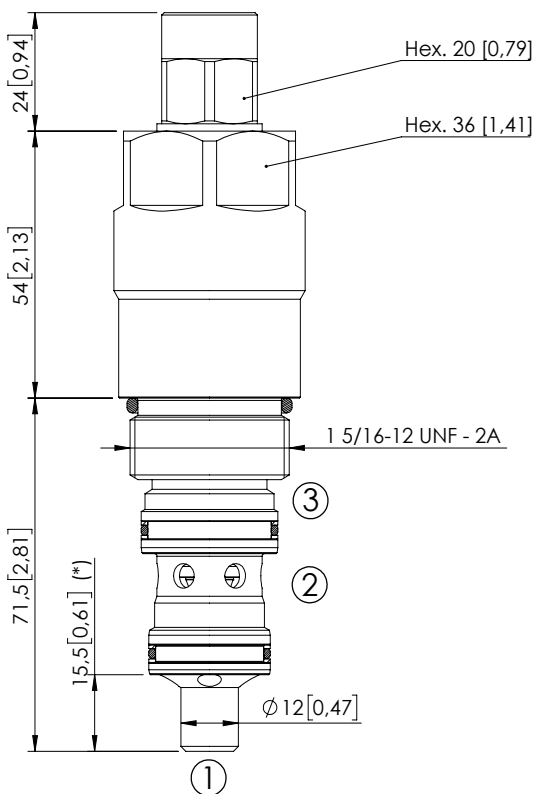
## ORDERING CODES

Quick code	Description	Standard setting Q=5 l/min (1,3 gpm)	Adjustment range	Pressure increase	Option
CP000410	CPLT-030-DHNA-HF-008-N420	350 bar (5000 psi)	250-420 bar (3600-6000 psi)	104 bar/turn (1500 psi/turn)	With Filter
CP000095	CPLT-030-DHNA-HN-008-N350	350 bar (5000 psi)	100-350 bar (1400-5000 psi)	91 bar/turn (1300 psi/turn)	Without Filter
CP000096	CPLT-030-DHNA-HN-008-N200	200 bar (2900 psi)	50-210 bar (700-3000 psi)	42 bar/turn (600 psi/turn)	Without Filter
CP000097	CPLT-030-DHNA-HN-008-N100	100 bar (1400 psi)	30-100 bar (400-1400 psi)	20 bar/turn (300 psi/turn)	Without Filter
CP000098	CPLT-030-DHNA-HN-008-N050	50 bar (700 psi)	10-50 bar (150-700 psi)	10 bar/turn (150 psi/turn)	Without Filter

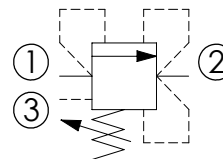
RELIEF VALVE

# CPLV-080-DHNA

DIRECT ACTING  
STABILIZED PISTON  
CHAMBER VENTED



Dimensions: mm [inches]



## SPECIFICATIONS

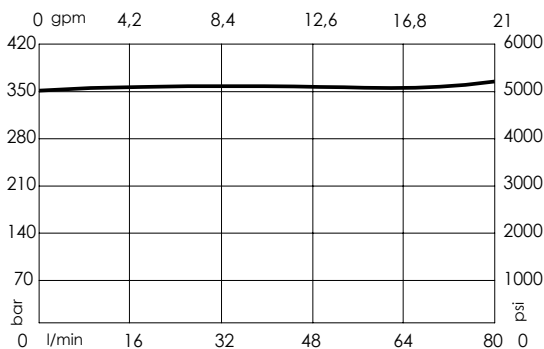
Max. operating pressure:	350 bar (5000 psi)
Rated flow:	80 l/min (21 gpm)
Cavity:	SAE-16-3C
Weight:	0,75 kg (1,65 lbs)
Contamination class to ISO 4406:	See technical spec.
Seal kit:	RB100089
Installation torque:	118 - 132 Nm (87 - 97 ft-lb)
MTF <sub>a</sub> :	150 - 1200 years: See technical spec.

## NOTES

(\*) The cartridge exceed overall dimension of the standard cavity into port 1.

For other configurations/quick codes not available in this catalogue page please consult factory

## CURVES



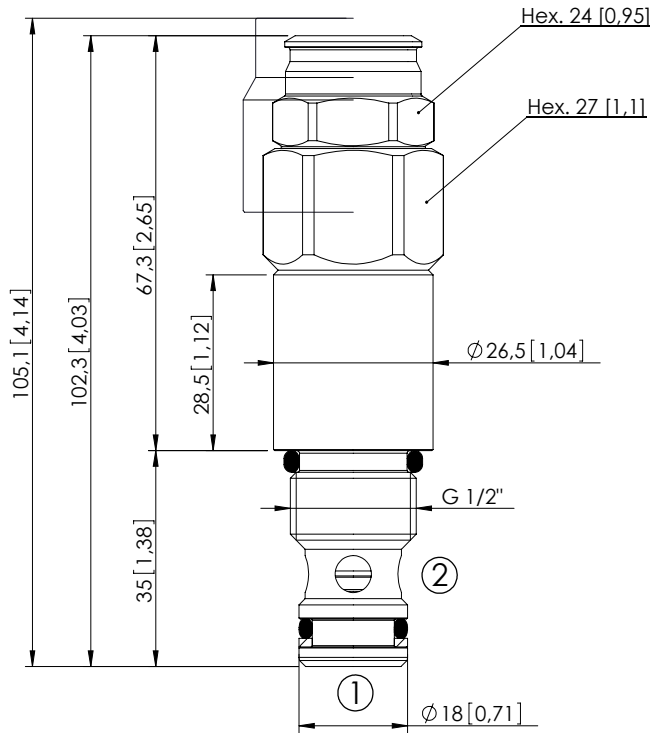
## ORDERING CODES

Quick code	Description	Standard setting (cracking pressure)	Adjustment range	Pressure increase
CP000171	CPLV-080-DHNA-HN-S16-V420	400 bar (5700 psi)	150-420 bar (2100-6000 psi)	53 bar/turn (750 psi/turn)
CP000513	CPLV-080-DHNA-HN-S16-V350	350 bar (5000 psi)	100-350 bar (1400-5000 psi)	42 bar/turn (600 psi/turn)
CP000501	CPLV-080-DHNA-HN-S16-V200	200 bar (2900 psi)	60-210 bar (900-3000 psi)	24 bar/turn (350 psi/turn)
CP000514	CPLV-080-DHNA-HN-S16-V100	100 bar (1400 psi)	25-100 bar (400-1400 psi)	13 bar/turn (200 psi/turn)
CP000515	CPLV-080-DHNA-HN-S16-V050	50 bar (700 psi)	5-50 bar (100-700 psi)	9 bar/turn (150 psi/turn)

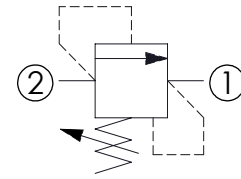
RELIEF VALVE

# CPLN-040-DHGD

DIFFERENTIAL AREA  
POPPET TYPE



Dimensions: mm [inches]



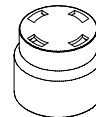
### SPECIFICATIONS

Max. operating pressure:	350 bar (5000 psi)
Rated flow:	40 l/min (11 gpm)
Cavity:	VP000080
Weight:	0,31 kg (0,68 lbs)
Contamination class to ISO 4406:	See technical spec.
Seal kit:	RC900080
Installation torque:	95 - 105 Nm (70 - 77 ft-lb)
MTF <sub>d</sub> :	150 - 1200 years: See technical spec.

### NOTES

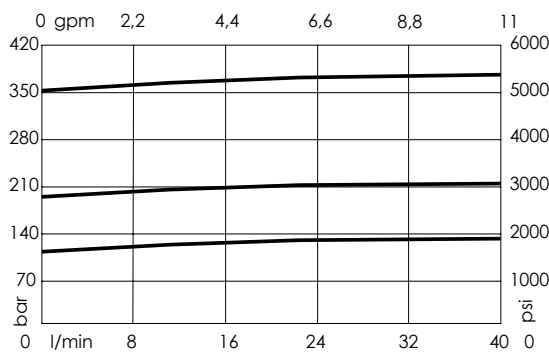
For other configurations/quick codes not available in this catalogue page please consult factory

### SEALING CAP



Ordering code:  
PT000258

### CURVES



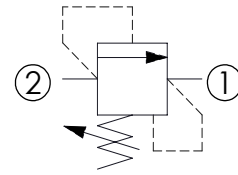
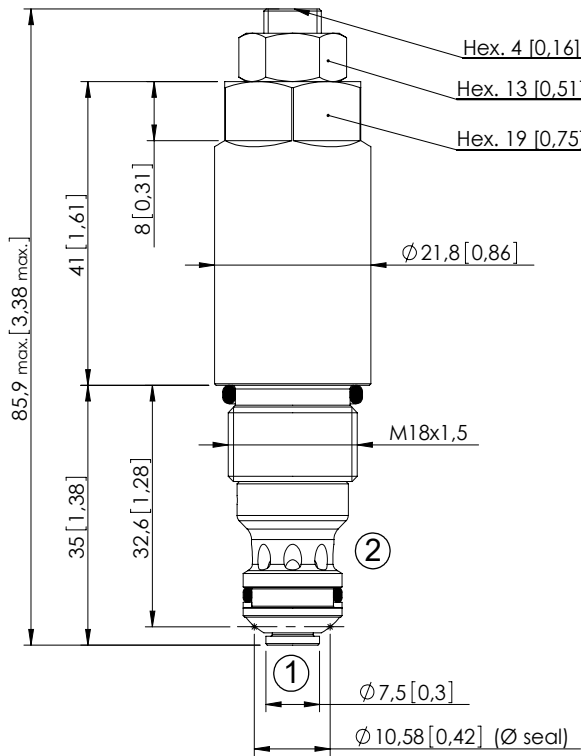
### ORDERING CODES

Quick code	Description	Standard setting (cracking pressure)	Adjustment range	Pressure increase
CP000036	CPLN-040-DHGD-HN-080-N350	350 bar (5000 psi)	100-350 bar (1400-5000 psi)	119 bar/turn (1700 psi/turn)
CP000088	CPLN-040-DHGD-HN-080-N200	200 bar (2900 psi)	50-210 bar (700-3000 psi)	63 bar/turn (900 psi/turn)
CP000223	CPLN-040-DHGD-HN-080-N100	100 bar (1400 psi)	30-100 bar (400-1400 psi)	30 bar/turn (400 psi/turn)

RELIEF VALVE

# CPLN-090-DHGA

DIRECT ACTING  
STABILIZED PISTON



### SPECIFICATIONS

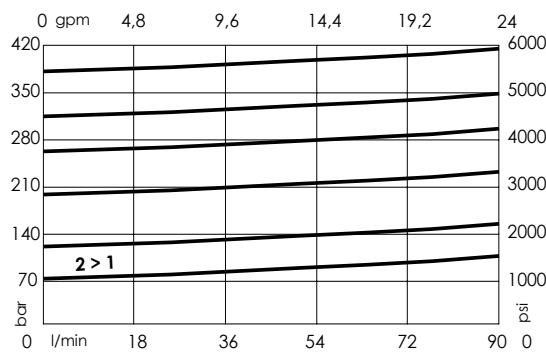
Max. operating pressure:	380 bar (5000 psi)
Rated flow:	90 l/min (24 gpm)
Cavity:	VP000249
Weight:	0,15 kg (0,33 lbs)
Contamination class to ISO 4406:	See technical spec.
Seal kit:	RC900249
Installation torque:	45 - 50 Nm (33 - 37 ft-lb)
MTF <sub>d</sub> :	150 - 1200 years: See technical spec.

Dimensions: mm [inches]

### NOTES

For other configurations/quick codes not available in this catalogue page please consult factory

### CURVES



### ORDERING CODES

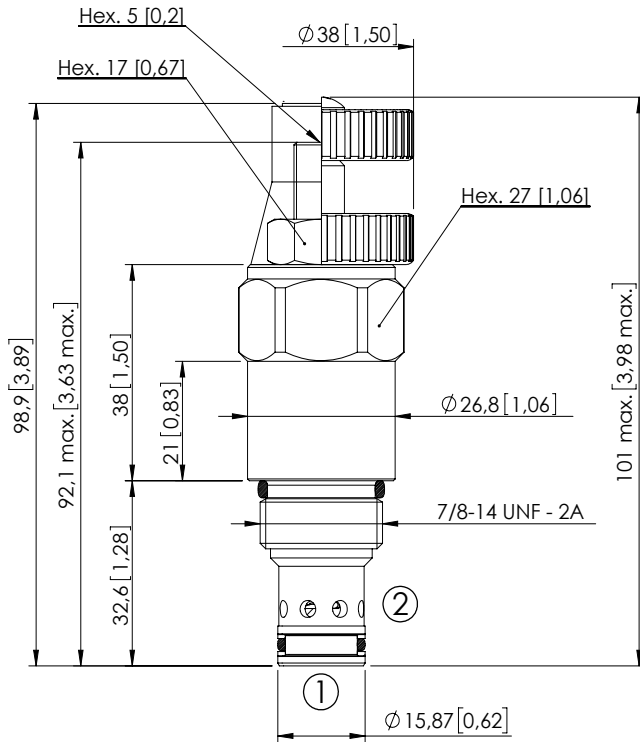
Quick code	Description	Standard setting (cracking pressure)	Adjustment range	Pressure increase
CP000105	CPLN-090-DHGA-HN-249-N380	380 bar (5400 psi)	320-380 bar (4600-5500 psi)	101 bar/turn (1500 psi/turn)
CP000101	CPLN-090-DHGA-HN-249-N320	320 bar (4500 psi)	270-320 bar (3900-4600 psi)	67 bar/turn (950 psi/turn)
CP000104	CPLN-090-DHGA-HN-249-N270	270 bar (3800 psi)	200-270 bar (2900-3900 psi)	44 bar/turn (650 psi/turn)
CP000103	CPLN-090-DHGA-HN-249-N200	200 bar (2900 psi)	120-200 bar (1700-2900 psi)	30 bar/turn (400 psi/turn)
CP000102	CPLN-090-DHGA-HN-249-N120	120 bar (1700 psi)	70-120 bar (1000-1700 psi)	18 bar/turn (250 psi/turn)
CP000120	CPLN-090-DHGA-HN-249-N070	70 bar (1000 psi)	10-70 bar (150-1000 psi)	8 bar/turn (100 psi/turn)

Revision C1

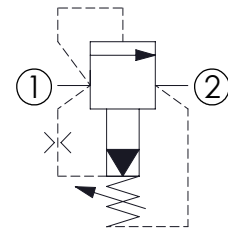
RELIEF VALVE

# CPLN-120-PSNA

PILOT OPERATED  
SPOOL TYPE



Dimensions: mm [inches]



### SPECIFICATIONS

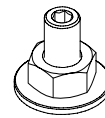
Max. operating pressure:	350 bar (5000 psi)
Rated flow:	120 l/min (32 gpm)
Cavity:	SAE-10-2N
Weight:	0,24 kg (0,53 lbs)
Contamination class to ISO 4406:	See technical spec.
Seal kit:	RB700082
Installation torque:	55 - 62 Nm (40 - 46 ft-lb)
MTF <sub>d</sub> :	150 - 1200 years: See technical spec.
Leakage:	200 cm <sup>3</sup> /min @200 bar 12,2 in <sup>3</sup> /min @ 2800 psi

### NOTES

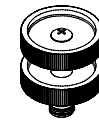
For other configurations/quick codes not available in this catalogue page please consult factory

### OPTIONS

### SEALING CAP



Adjustment with Screw

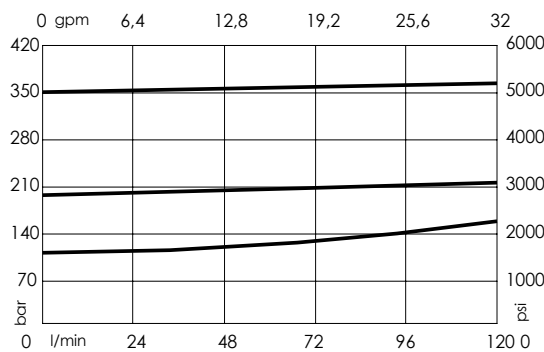


Adjustment with Handknob



Ordering code: AT000022

### CURVES



### ORDERING CODES

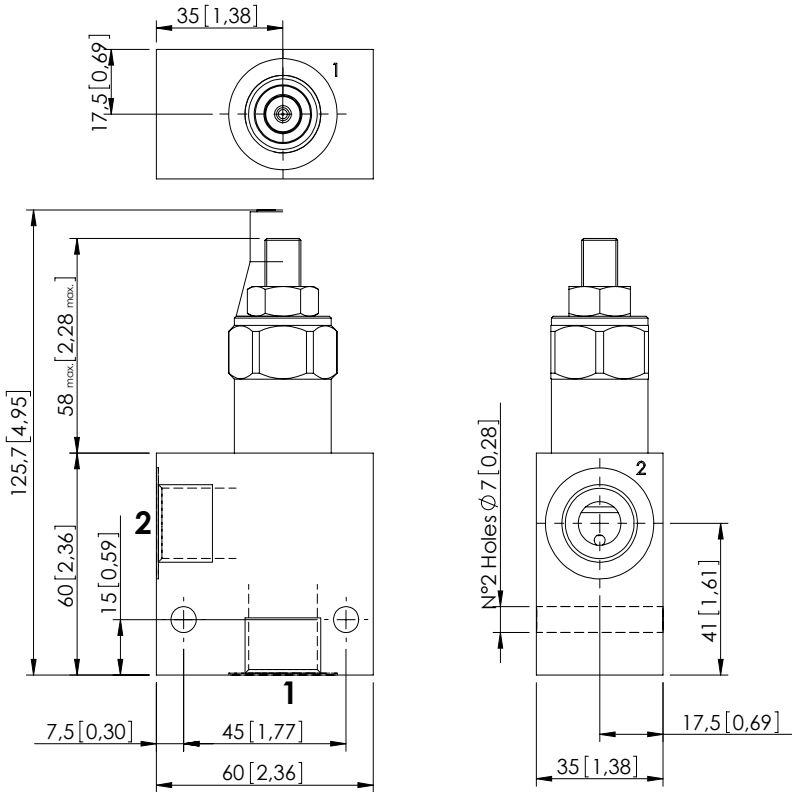
Quick code	Description	Standard setting Q=5 l/min (1,3 gpm)	Adjustment range	Pressure increase	Option
CP000009	CPLN-120-PSNA-HN-S10-N350	350 bar (5000 psi)	140-350 bar (2000-5000 psi)	114 bar/turn (1700 psi/turn)	Adjustment with Screw
CP000060	CPLN-120-PSNA-HN-S10-N200	200 bar (2900 psi)	70-210 bar (1000-3000 psi)	69 bar/turn (1000 psi/turn)	Adjustment with Screw
CP000059	CPLN-120-PSNA-HN-S10-N100	100 bar (1400 psi)	35-120 bar (500-1700 psi)	37 bar/turn (550 psi/turn)	Adjustment with Screw
CP000064	CPLN-120-PSNA-VN-S10-N350	350 bar (5000 psi)	140-350 bar (2000-5000 psi)	114 bar/turn (1700 psi/turn)	Adjustment with Handknob
CP000065	CPLN-120-PSNA-VN-S10-N200	200 bar (2900 psi)	70-210 bar (1000-3000 psi)	69 bar/turn (1000 psi/turn)	Adjustment with Handknob
CP000066	CPLN-120-PSNA-VN-S10-N100	100 bar (1400 psi)	35-120 bar (500-1700 psi)	37 bar/turn (550 psi/turn)	Adjustment with Handknob

Revision B1

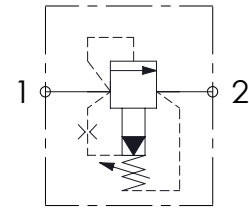
RELIEF VALVE IN BODY

# KPLN-120-PSNA

PILOT OPERATED  
SPOOL TYPE



Dimensions: mm [inches]



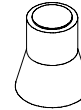
## SPECIFICATIONS

Max. operating pressure:	350 bar (5000 psi)
Rated flow:	120 l/min (32 gpm)
Manifold:	Aluminium
Weight:	0,49 kg (1,08 lbs)
Contamination class to ISO 4406:	See technical spec.
MTTF <sub>a</sub> :	150 - 1200 years: See technical spec.
Leakage:	200 cm <sup>3</sup> /min @200 bar 12,2 in <sup>3</sup> /min @ 2800 psi

## NOTES

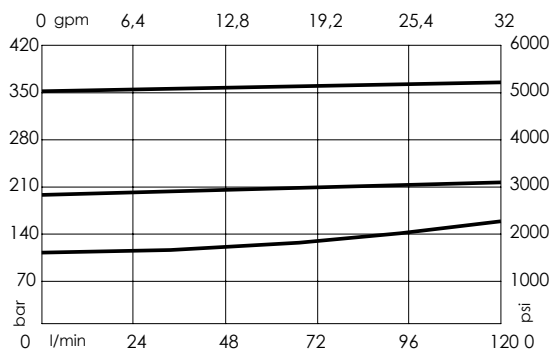
For other configurations/quick codes not available in this catalogue page please consult factory

## SEALING CAP



Ordering code:  
AT000022

## CURVES



## ORDERING CODES

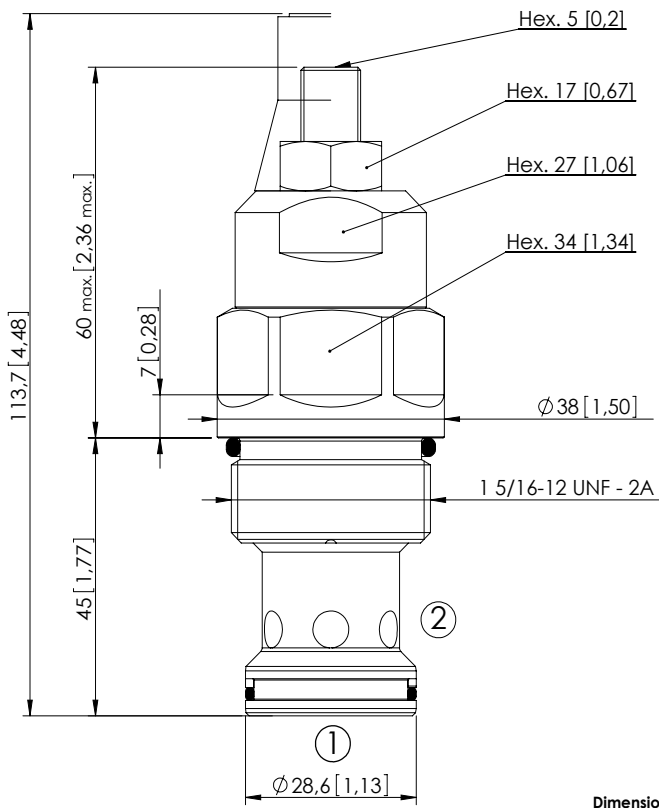
Quick code	Description	Main ports size	Standard setting Q=5 l/min (1,3 gpm)	Adjustment range	Pressure increase
KP000014	KPLN-120-PSNA-HN-G12-N350	P,T: G1/2"	350 bar (5000 psi)	140-350 bar (2000-5000 psi)	114 bar/turn (1600 psi/turn)
KP000048	KPLN-120-PSNA-HN-G12-N200	P,T: G1/2"	200 bar (2900 psi)	70-210 bar (1000-3000 psi)	69 bar/turn (950 psi/turn)
KP000047	KPLN-120-PSNA-HN-G12-N100	P,T: G1/2"	100 bar (1400 psi)	35-120 bar (500-1700 psi)	37 bar/turn (500 psi/turn)
KP000096	KPLN-120-PSNA-HN-G34-N350	P,T: G3/4"	350 bar (5000 psi)	140-350 bar (2000-5000 psi)	114 bar/turn (1600 psi/turn)
KP000159	KPLN-120-PSNA-HN-G34-N200	P,T: G3/4"	200 bar (2900 psi)	70-210 bar (1000-3000 psi)	69 bar/turn (950 psi/turn)
KP000160	KPLN-120-PSNA-HN-G34-N100	P,T: G3/4"	100 bar (1400 psi)	35-120 bar (500-1700 psi)	37 bar/turn (500 psi/turn)



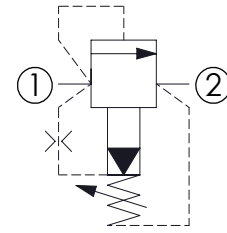
RELIEF VALVE

# CPLN-300-PSNA

PILOT OPERATED  
SPOOL TYPE



Dimensions: mm [inches]



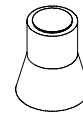
## SPECIFICATIONS

Max. operating pressure:	350 bar (5000 psi)
Rated flow:	300 l/min (79 gpm)
Cavity:	SAE-16-2N
Weight:	0,5 kg (1,1 lbs)
Contamination class to ISO 4406:	See technical spec.
Seal kit:	RA700084
Installation torque:	150 - 180 Nm (110 - 133 ft-lb)
MTF <sub>d</sub> :	150 - 1200 years: See technical spec.
Leakage:	350 cm <sup>3</sup> /min @200 bar 21,4 in <sup>3</sup> /min @2800 psi

## NOTES

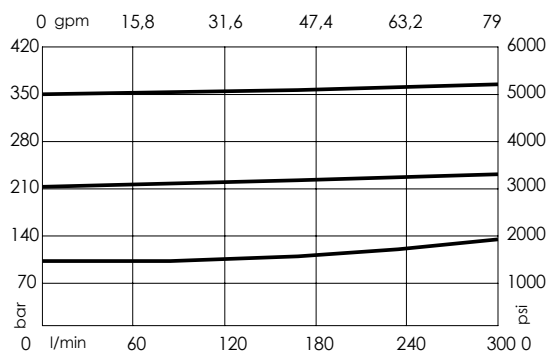
For other configurations/quick codes not available in this catalogue page please consult factory

## SEALING CAP



Ordering code:  
AT000022

## CURVES



## ORDERING CODES

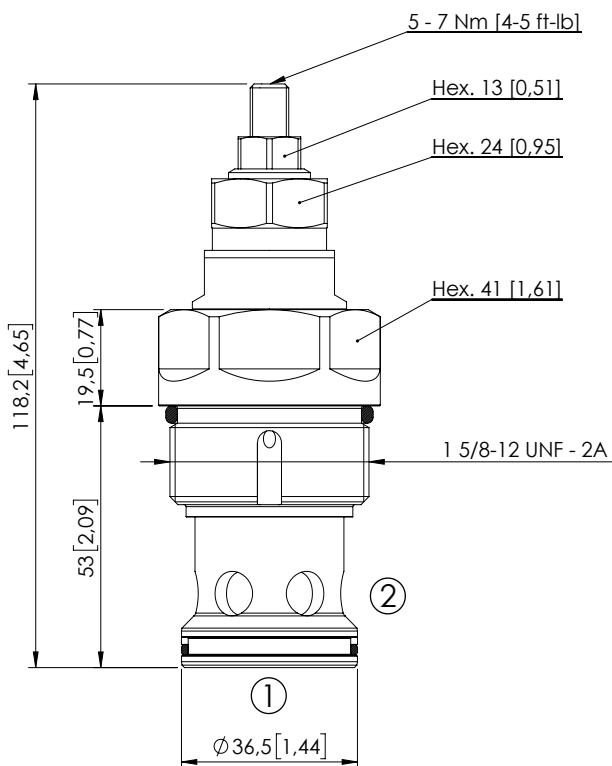
Quick code	Description	Standard setting (cracking pressure)	Adjustment range	Pressure increase
CP000188	CPLN-300-PSNA-HN-S16-N350	350 bar (5000 psi)	140-350 bar (2000-5000 psi)	114 bar/turn (1600 psi/turn)
CP000177	CPLN-300-PSNA-HN-S16-N200	200 bar (2900 psi)	70-210 bar (1000-3000 psi)	69 bar/turn (950 psi/turn)
CP000178	CPLN-300-PSNA-HN-S16-N100	100 bar (1400 psi)	35-120 bar (500-1700 psi)	37 bar/turn (500 psi/turn)

Revision B1

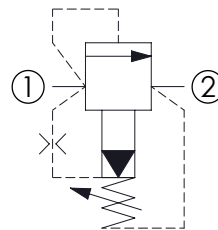
RELIEF VALVE

# CPLN-500-PHNA

PILOTED OPERATED  
SPOOL TYPE



Dimensions: mm [inches]



### SPECIFICATIONS

Max. operating pressure:	350 bar (5000 psi)
Rated flow:	500 l/min (132 gpm)
Cavity:	SAE-20-2N
Weight:	0,7 kg (1,54 lbs)
Contamination class to ISO 4406:	See technical spec.
Seal kit:	RA900085
Installation torque:	230 - 250 Nm (170 - 184 ft-lb)
MTF <sub>a</sub> :	150 - 1200 years: See technical spec.
Max. int. leakage:	400 cm <sup>3</sup> /min (@46 cSt) 24,4 in <sup>3</sup> /min (@46 cSt)

### NOTES

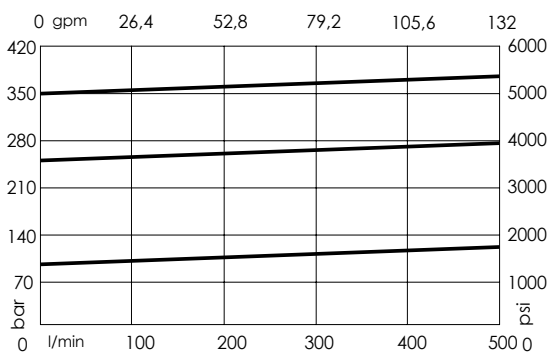
For other configurations/quick codes not available in this catalogue page please consult factory

### SEALING CAP



Ordering code:  
AT000020

### CURVES



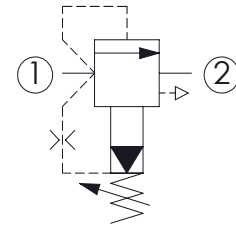
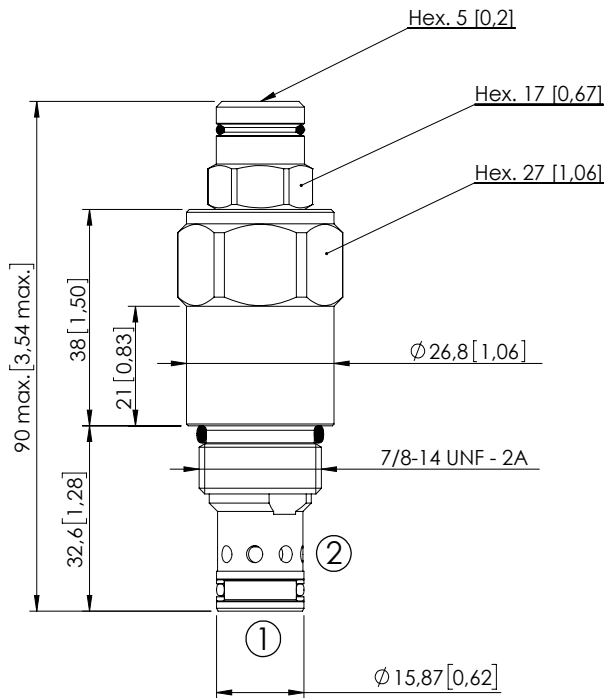
### ORDERING CODES

Quick code	Description	Standard setting (cracking pressure)	Adjustment range	Pressure increase
CP000407	CPLN-500-PHNA-SN-S20-N350	350 bar (5000 psi)	140-350 bar (2000-5000 psi)	142 bar/turn (2000 psi/turn)
CP000408	CPLN-500-PHNA-SN-S20-N200	200 bar (2900 psi)	90-210 bar (1300-3000 psi)	87 bar/turn (1200 psi/turn)
CP000409	CPLN-500-PHNA-SN-S20-N100	100 bar (1400 psi)	35-110 bar (500-1600 psi)	47 bar/turn (650 psi/turn)

RELIEF VALVE

# CPLT-120-PSNA

PILOT OPERATED  
SPOOL TYPE  
COMPENSATED



## SPECIFICATIONS

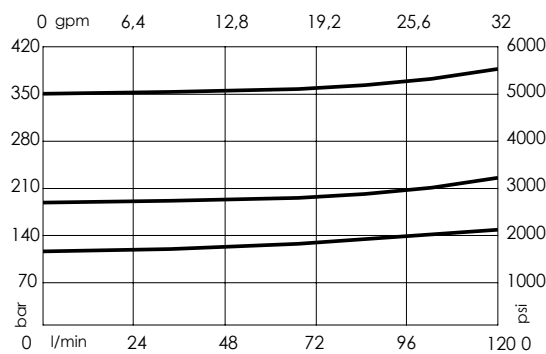
Max. operating pressure:	350 bar (5000 psi)
Rated flow:	120 l/min (32 gpm)
Cavity:	SAE-10-2N
Weight:	0.25 kg (0,55 lbs)
Contamination class to ISO 4406:	See technical spec.
Seal kit:	RB700082
Installation torque:	55 - 62 Nm (42 - 46 ft-lb)
MTF <sub>a</sub> :	150 - 1200 years: See technical spec.
Leakage:	200 cm <sup>3</sup> /min @ 200 bar 12,2 in <sup>3</sup> /min @ 2800 psi

Dimensions: mm [inches]

## NOTES

For other configurations/quick codes not available in this catalogue page please consult factory

## CURVES



## ORDERING CODES

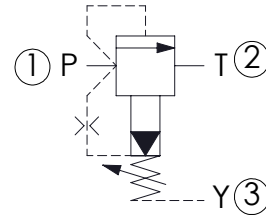
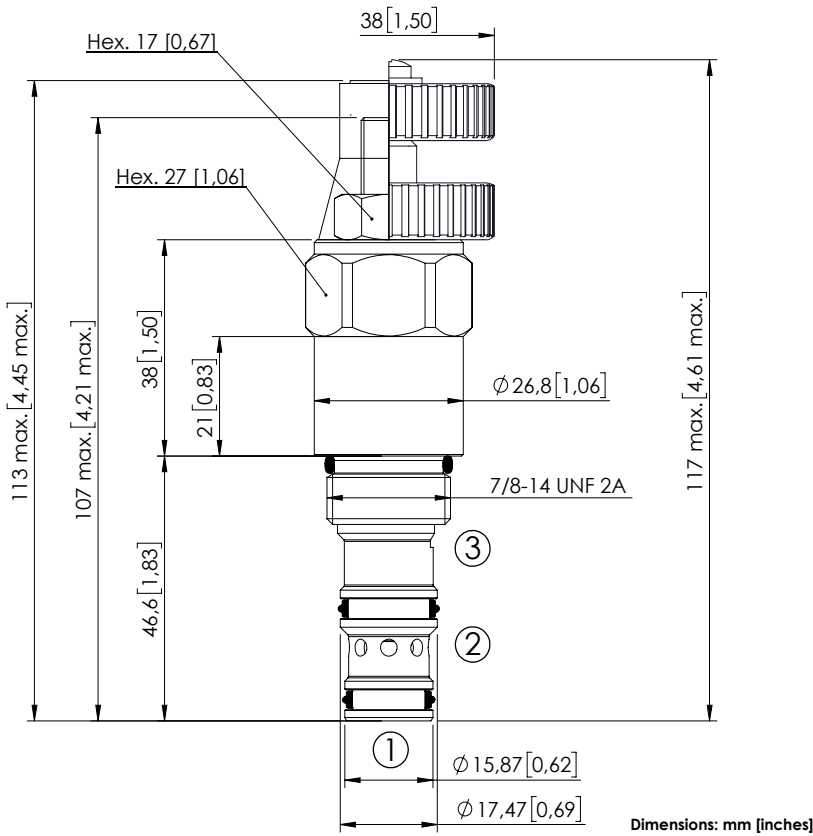
Quick code	Description	Standard setting (cracking pressure)	Adjustment range	Pressure increase
CP000070	CPLT-120-PSNA-HN-S10-N350	350 bar (5000 psi)	140-350 bar (2000-5000 psi)	114 bar/turn (1600 psi/turn)
CP000071	CPLT-120-PSNA-HN-S10-N200	200 bar (2900 psi)	70-210 bar (1000-3000 psi)	69 bar/turn (950 psi/turn)
CP000072	CPLT-120-PSNA-HN-S10-N100	100 bar (1400 psi)	20-120 bar (290-1700 psi)	37 bar/turn (500 psi/turn)

Revision C1

RELIEF VALVE

# CPLV-120-PSNA

PILOT OPERATED  
SPOOL TYPE  
SEPARATE TANK LINE



### SPECIFICATIONS

Max. operating pressure:	350 bar (5000 psi)
Rated flow:	120 l/min (32 gpm)
Cavity:	SAE-10-3N
Weight:	0,26 kg (0,57 lbs)
Contamination class to ISO 4406:	See technical spec.
Seal kit:	RB700092
Installation torque:	55 - 62 Nm (41 - 46 ft-lb)
MTF <sub>d</sub> :	150 - 1200 years: See technical spec.
Leakage (1>2):	200 cm <sup>3</sup> /min @ 200 bar 12,2 in <sup>3</sup> /min @ 2800 psi

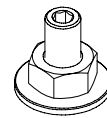
### NOTES

For other configurations/quick codes not available in this catalogue page please consult factory

### CURVES

### OPTIONS

### SEALING CAP



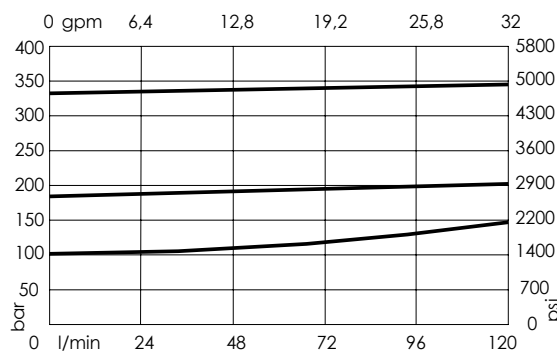
Adjustment with Screw



Adjustment with Handknob



Ordering code: AT000022



### ORDERING CODES

Quick code	Description	Standard setting Q=5 l/min (1,3 gpm)	Adjustment range	Pressure increase	Option
CP000228	CPLV-120-PSNA-HN-S10-N350	350 bar (5000 psi)	140-350 bar (2000-5000 psi)	114 bar/turn (1700 psi/turn)	Adjustment with Screw
CP000427	CPLV-120-PSNA-HN-S10-N200	200 bar (2900 psi)	70-210 bar (1000-3000 psi)	69 bar/turn (1000 psi/turn)	Adjustment with Screw
CP000428	CPLV-120-PSNA-HN-S10-N100	100 bar (1400 psi)	35-120 bar (500-1700 psi)	37 bar/turn (550 psi/turn)	Adjustment with Screw
CP000429	CPLV-120-PSNA-VN-S10-N350	350 bar (5000 psi)	140-350 bar (2000-5000 psi)	114 bar/turn (1700 psi/turn)	Adjustment with Handknob
CP000430	CPLV-120-PSNA-VN-S10-N200	200 bar (2900 psi)	70-210 bar (1000-3000 psi)	69 bar/turn (1000 psi/turn)	Adjustment with Handknob
CP000431	CPLV-120-PSNA-VN-S10-N100	100 bar (1400 psi)	35-120 bar (500-1700 psi)	37 bar/turn (550 psi/turn)	Adjustment with Handknob

Revision A1