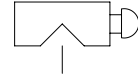
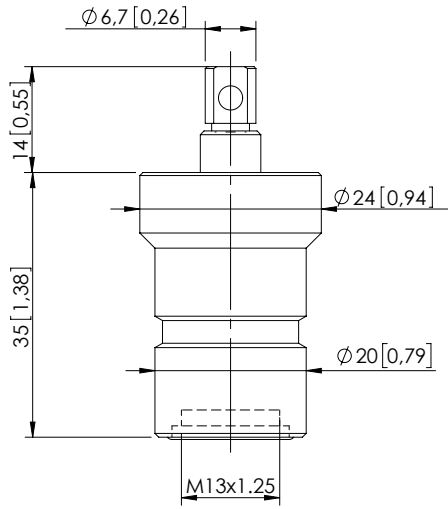


MANUAL OVERRIDE

DETENT TYPE



Dimensions: mm [inches]

NOTES

Suitable for push style override solenoid valves.

ORDERING CODES

Quick code	Description	
ST000364	Manula override	