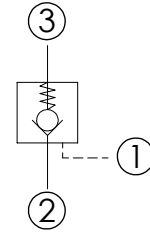
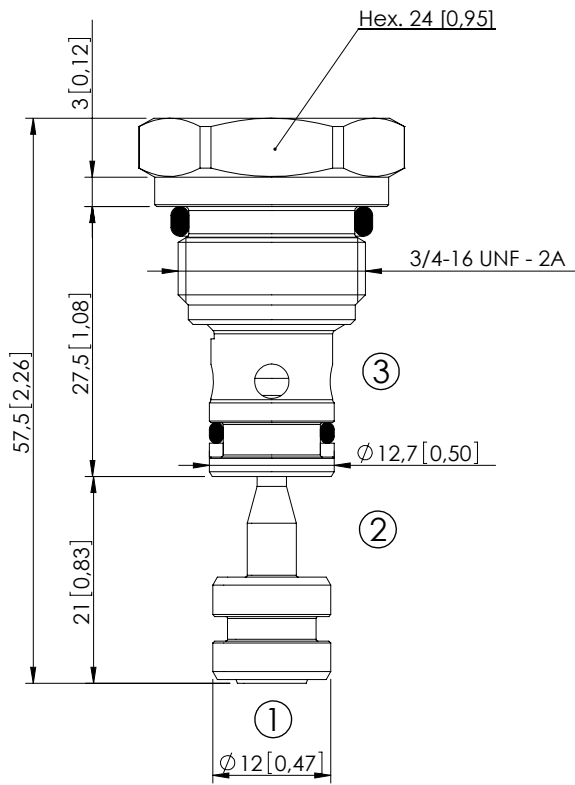


PILOT OPERATED CHECK VALVE

CDPN-050-PSNN

SEPARATE PILOT
PISTON



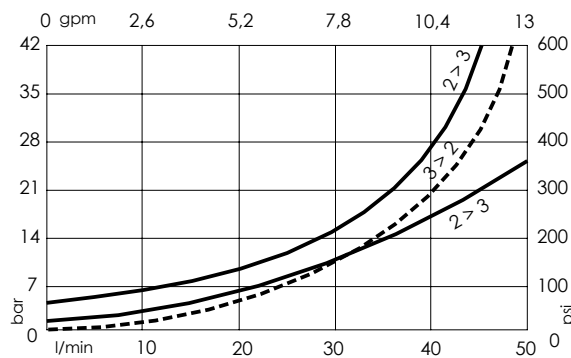
SPECIFICATIONS

Max. operating pressure:	350 bar (5000 psi)
Rated flow:	50 l/min (13 gpm)
Cavity:	VP000193
Weight:	0,07 kg (0,15 lbs)
Pilot ratio:	4:1
Contamination class to ISO 4406:	See technical spec.
Seal kit:	RC700193
Installation torque:	45 - 50 Nm (33 - 37 ft-lb)
MTF _a :	150 years

Dimensions: mm [inches]

NOTES

CURVES



ORDERING CODES

Quick code	Description	Cracking pressure	O-ring on pilot piston
SC000051	CDPN-050-PSNN-04-193-N001	1 bar (15 psi)	NO
SC000056	CDPN-050-PSNN-04-193-N003	3 bar (50 psi)	NO
SC000057	CDPN-050-PSNE-04-193-N003	3 bar (50 psi)	YES