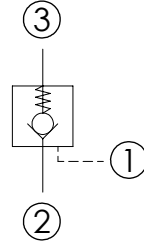
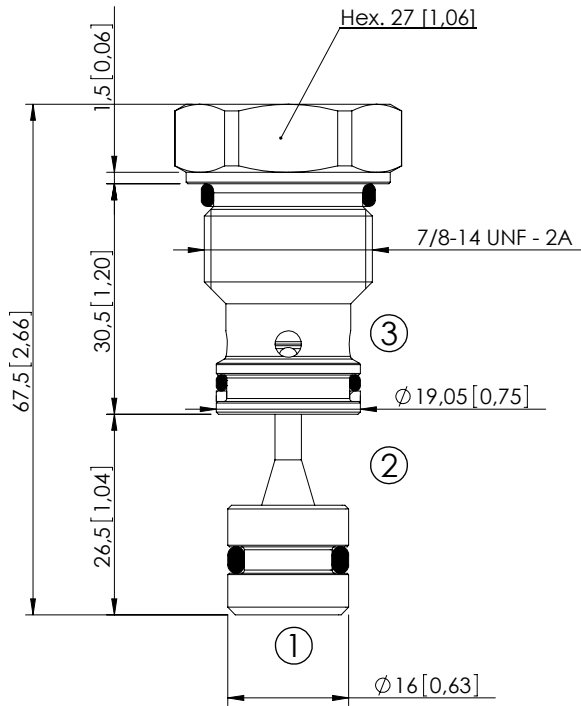


PILOT OPERATED CHECK VALVE

CDPN-030-PSNE

SEPARATE PILOT
PISTON



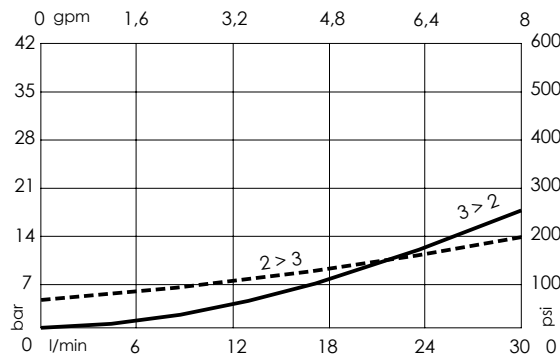
SPECIFICATIONS

Max. operating pressure:	350 bar (5000 psi)
Rated flow:	30 l/min (8 gpm)
Cavity:	VP000028
Weight:	0,13 kg (0,29 lbs)
Pilot ratio:	7:1
Contamination class to ISO 4406:	See technical spec.
Installation torque:	80 - 90 Nm (59 - 66 ft-lb)
MTF _d :	150 years

Dimensions: mm [inches]

NOTES

CURVES



ORDERING CODES

Quick code	Description	Cracking pressure	O-ring on pilot piston
SC000002	CDPN-030-PSNE-07-028-N005	4,5 bar (75 psi)	YES
SC000044	CDPN-030-PSNN-07-028-N005	4,5 bar (75 psi)	NO