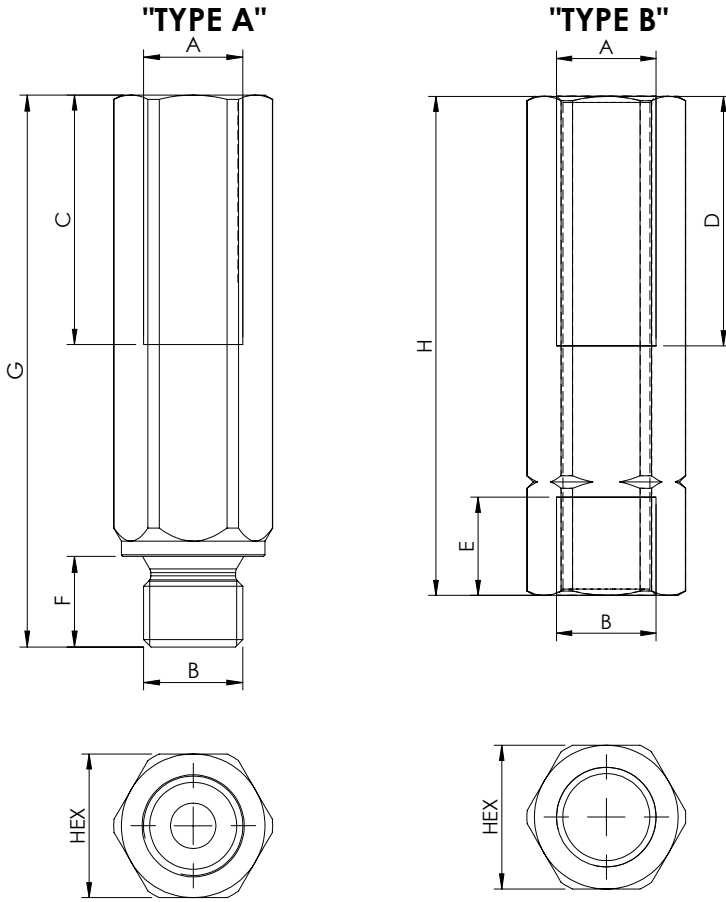


SLEEVE



Dimensions: mm [inches]

SPECIFICATIONS

Max. operating pressure:	350 bar (5000 psi)
Material:	Steel
Contamination class to ISO 4406:	See technical spec.
MTF _d :	150 - 1200 years: See technical spec.

NOTES

Suitable for:
 -Flow control valves (CFST-XXX-MDST)
 For other configurations/quick codes not available in this catalogue page
 please consult factory

ORDERING CODES

Quick code "TYPE A"	Quick code "TYPE B"	A/B	C	D	E	F	G	H	Hex.	Weight "TYPE A"	Weight "TYPE B"
PC000196	PC000232	G 1/4"	33 [1,30]	33 [1,30]	13 [0,51]	12 [0,47]	73 [2,87]	66 [2,60]	19 [0,75]	0,12 kg (0,26 lb)	0,10 kg (0,22 lb)
PC000197	PC000249	G 3/8"	40 [1,57]	34 [1,34]	13 [0,51]	12 [0,47]	82 [3,23]	70 [2,76]	22 [0,87]	0,15 kg (0,33 lb)	0,13 kg (0,30 lb)
PC000162	PC000462	G 1/2"	45 [1,77]	40 [1,57]	15 [0,59]	14 [0,55]	96 [3,78]	80 [3,15]	27 [1,06]	0,25 kg (0,55 lb)	0,21 kg (0,46 lb)
PC000198	PC000165	G 3/4"	51 [2,01]	51 [2,01]	17 [0,66]	16 [0,63]	105 [4,13]	100 [3,94]	32 [1,26]	0,35 kg (0,77 lb)	0,32 kg (0,70 lb)