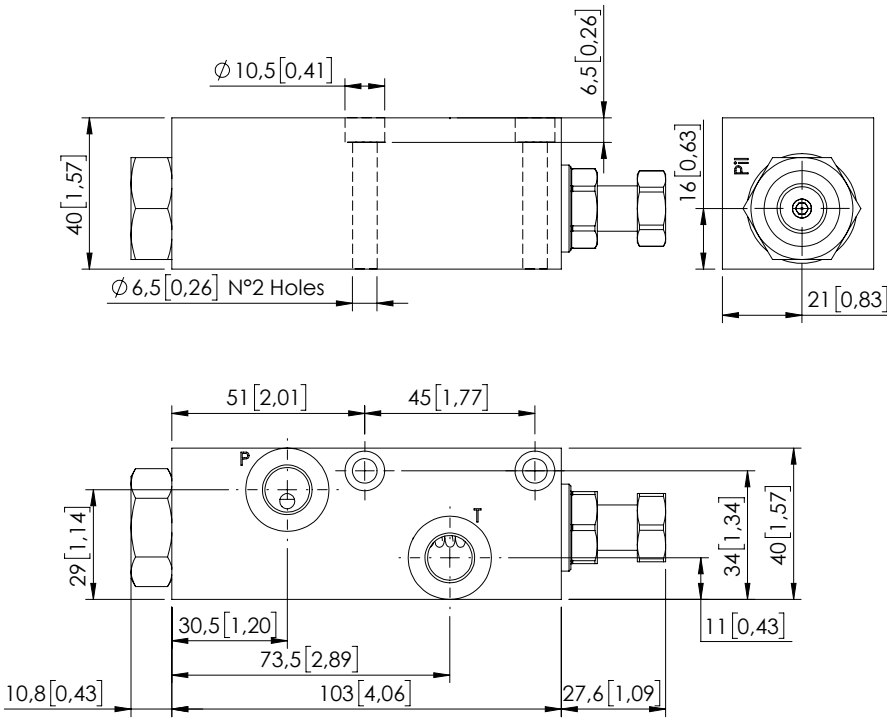
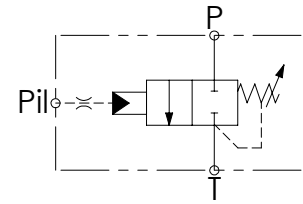


# MTTP-003-TLSN

HYDRAULIC PRESSURE  
UNLOADING  
2 WAYS



Dimensions: mm [inches]



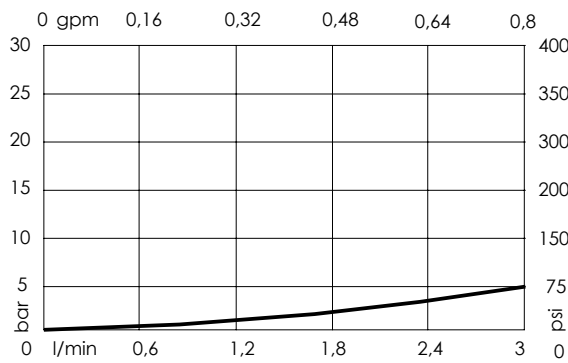
## SPECIFICATIONS

Max. operating pressure:	350 bar (5000 psi)
Rated flow:	3 l/min (0.8 gpm)
Weight:	0,55 kg (1,2 lbs)
Manifold:	Aluminium
Contamination class to ISO 4406:	See technical spec.
MTFd:	150 years

## NOTES

For other configurations/quick codes not available in this catalogue page please consult factory

## CURVES



## ORDERING CODES

Quick code	Description	Ports	Standard setting Q=5 l/min (1,3 gpm)	Setting range	Pressure increase
MT000011	MTTP-003-TLSN-01-G14-N006	P,Pil,T: G 1/4"	6 bar (100 psi)	6-55 bar (100-800 psi)	12 bar/turn (200 psi/turn)