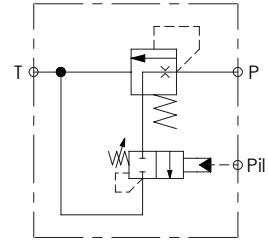
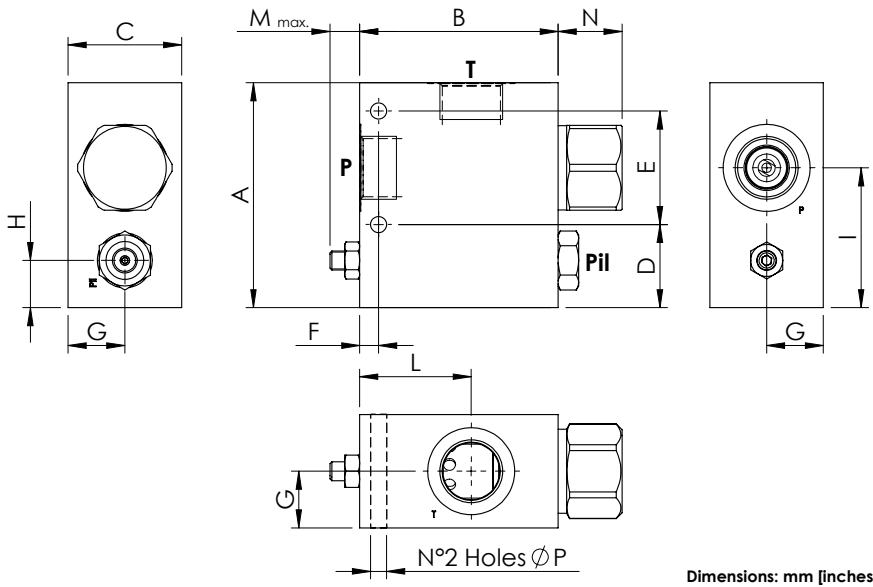


UNLOADING VALVE

MTTP-XXX-XLSN

PUMP UNLOADING
PILOTED



SPECIFICATIONS

Max. operating pressure:	See table
Rated flow:	See table
Weight:	2,49/5,7 kg (5,5/12,5 lbs)
Contamination class to ISO 4406:	See technical spec.
MTTFd:	150 - 1200 years: See technical spec.

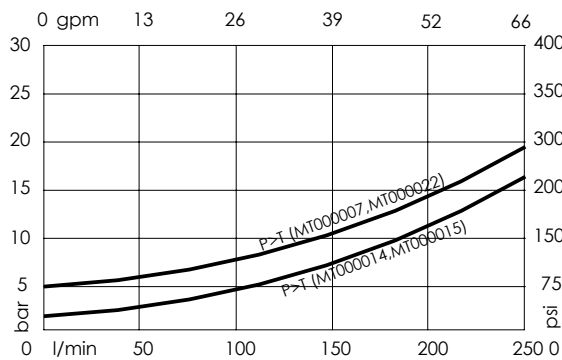
NOTES

For other configurations/quick codes not available in this catalogue page please consult factory

SPECIFICATIONS

A	B	C	D	E	F	G	H	I	L	M	N	P	Code
119 [4,69]	105 [4,13]	60 [2,36]	44 [1,73]	60 [2,36]	10 [0,39]	30 [1,18]	25 [0,98]	74 [2,91]	59 [2,32]	15 [0,59]	33,8 [1,33]	8,5 [0,33]	MT000007
119 [4,69]	105 [4,13]	60 [2,36]	44 [1,73]	60 [2,36]	10 [0,39]	30 [1,18]	25 [0,98]	74 [2,91]	59 [2,32]	15 [0,59]	33,8 [1,33]	8,5 [0,33]	MT000022
105 [4,13]	100 [3,94]	40 [1,57]	35 [1,38]	45 [1,77]	15 [0,59]	20 [0,79]	16 [0,63]	56 [2,2]	52 [2,05]	19,5 [0,77]	18,8 [0,74]	8,5 [0,33]	MT000015
90 [3,54]	100 [3,94]	40 [1,57]	35 [1,38]	45 [1,77]	15 [0,59]	20 [0,79]	16 [0,63]	56 [2,2]	52 [2,05]	19,5 [0,77]	18,8 [0,74]	8,5 [0,33]	MT000014

CURVES



ORDERING CODES

Quick code	Description	Manifold	Ports	Rated flow	Max. operating pressure	Standard setting Q=5 l/min (1,3 gpm)	Adjust. range	Pressure increase
MT000007	MTTP-250-TLSN-NP-G10-N210	Aluminium	P,T: G 1" Pil: G 1/4"	250 l/min (66 gpm)	210 bar (3000 psi)	200 bar (2900 psi)	70-210 bar (1000-3000 psi)	49 bar/turn (700 psi/turn)
MT000015	MTTP-200-TLSN-NP-G34-N210	Aluminium	P,T: G 3/4" Pil: G 1/4"	200 l/min (53 gpm)	210 bar (3000 psi)	200 bar (2900 psi)	70-210 bar (1000-3000 psi)	49 bar/turn (700 psi/turn)
MT000014	MTTP-120-TLSN-NP-G12-N210	Aluminium	P,T: G 1/2" Pil: G 1/4"	120 l/min (32 gpm)	210 bar (3000 psi)	130 bar (1900 psi)	70-210 bar (1000-3000 psi)	49 bar/turn (700 psi/turn)
MT000022	MTTP-250-SLSN-NP-G10-N350	Steel	P,T: G 1" Pil: G 1/4"	250 l/min (66 gpm)	350 bar (5000 psi)	200 bar (2900 psi)	70-210 bar (1000-3000 psi)	49 bar/turn (700 psi/turn)