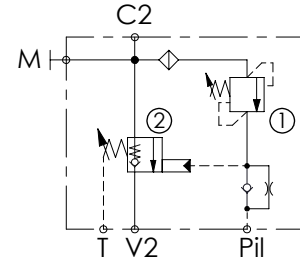
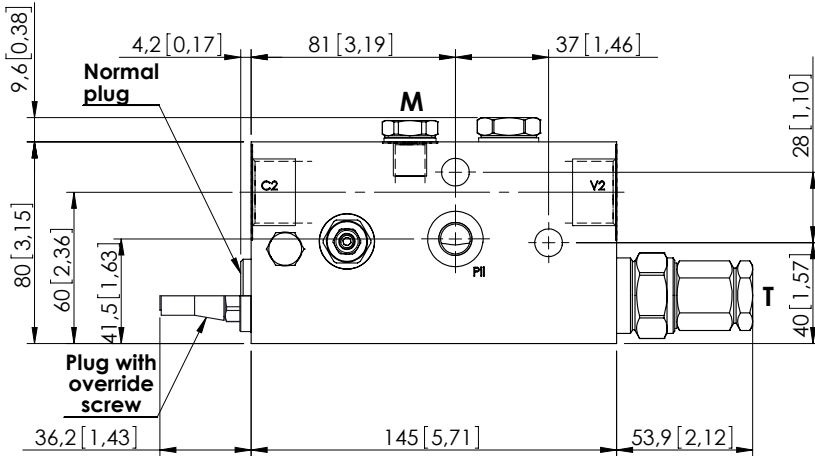


CHECK AND METERING VALVE

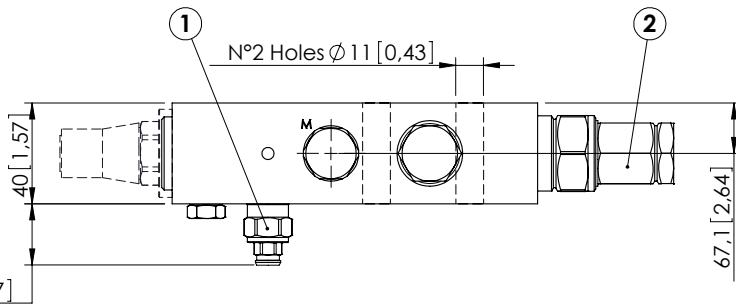
MLST-150-ALGR

IN LINE VERSION
RIGHT VERSION



SPECIFICATIONS

Max. operating pressure:	420 bar (6000 psi)
Rated flow:	150 l/min (40 gpm)
Manifold:	Steel
Weight:	3,35 kg (7,39 lbs)
Contamination class to ISO 4406:	See technical spec.
MTTFa:	150 - 1200 years: See technical spec.

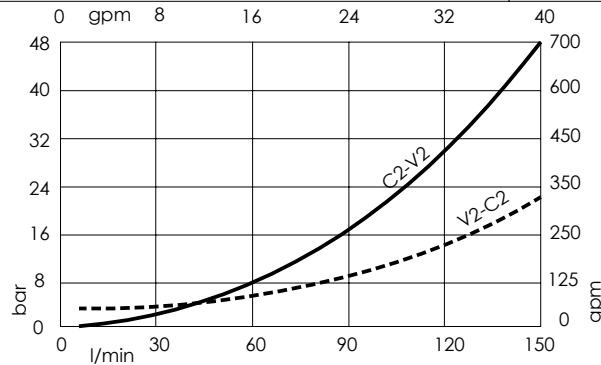


Dimensions: mm [inches]

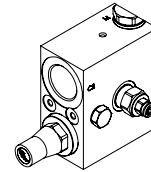
NOTES

When correctly adjusted for the specific excavator installation, these valves meet the requirement of ISO 8643.
For other configurations/quick codes not available in this catalogue page please consult factory

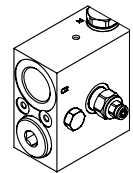
CURVES



OPTIONS



Plug with override screw



Normal plug

ORDERING CODES

Quick code	Description	Main ports size	Plug with override screw	Standard setting	Adjustment range	Pressure increase
ML000126	MLST-150-ALGR-00-G34-N420	V2,C2: G 3/4" Pil,T,M: G 1/4"	No	① 350 bar @5 l/min (5000 psi @1,3 gpm) ② 7.5 bar (100 psi) Crack. pr.	① 150-420 bar (2100-6000 psi) ② 3-15 bar (50-200 psi)	① 236 bar/turn (3400 psi/turn) ② 8 bar/turn (100 psi/turn)
ML000011	MLST-150-ALGR-00-G34-E420	V2,C2: G 3/4" Pil,T,M: G 1/4"	Yes	① 350 bar @5 l/min (5000 psi @1,3 gpm) ② 7.5 bar (100 psi) Crack. pr.	① 150-420 bar (2100-6000 psi) ② 3-15 bar (50-200 psi)	① 236 bar/turn (3400 psi/turn) ② 8 bar/turn (100 psi/turn)
ML000122	MLST-150-ALGR-00-U11-N420	V2,C2: 1 1/16-12 UNF Pil,T: 9/16-18 UNF M: G 1/4"	No	① 350 bar @5 l/min (5000 psi @1,3 gpm) ② 7.5 bar (100 psi) Crack. pr.	① 150-420 bar (2100-6000 psi) ② 3-15 bar (50-200 psi)	① 236 bar/turn (3400 psi/turn) ② 8 bar/turn (100 psi/turn)
ML000029	MLST-150-ALGR-00-U11-E420	V2,C2: 1 1/16-12 UNF Pil,T: 9/16-18 UNF M: G 1/4"	Yes	① 350 bar @5 l/min (5000 psi @1,3 gpm) ② 7.5 bar (100 psi) Crack. pr.	① 150-420 bar (2100-6000 psi) ② 3-15 bar (50-200 psi)	① 236 bar/turn (3400 psi/turn) ② 8 bar/turn (100 psi/turn)
ML000123	MLST-150-ALGR-00-J34-N420	V2,C2: 3/4" JIS Pil,T,M: 1/4" JIS	No	① 350 bar @5 l/min (5000 psi @1,3 gpm) ② 7.5 bar (100 psi) Crack. pr.	① 150-420 bar (2100-6000 psi) ② 3-15 bar (50-200 psi)	① 236 bar/turn (3400 psi/turn) ② 7 bar/turn (100 psi/turn)
ML000105	MLST-150-ALGR-00-J34-E420	V2,C2: 3/4" JIS Pil,T,M: 1/4" JIS	Yes	① 350 bar @5 l/min (5000 psi @1,3 gpm) ② 7.5 bar (100 psi) Crack. pr.	① 150-420 bar (2100-6000 psi) ② 3-15 bar (50-200 psi)	① 236 bar/turn (3400 psi/turn) ② 7 bar/turn (100 psi/turn)