

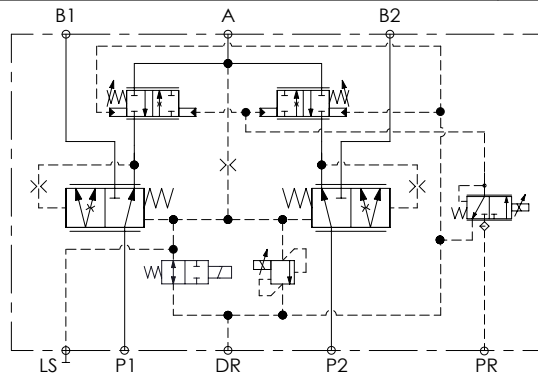
## SPECIFICATIONS

|                                  |                                |
|----------------------------------|--------------------------------|
| Max. operating pressure:         | 350 bar (5000 psi)             |
| Max. operating pressure to PR:   | 50 bar (725 psi)               |
| Max. operating pressure to DR:   | 1,5 bar (21 psi)               |
| Rated flow:                      | 2x200 l/min (52 gpm)           |
| Flow regulated:                  | 1,5 - 160 l/min (0,4 - 42 gpm) |
| Weight:                          | 14,13 kg (31 lbs)              |
| Manifold:                        | Steel - Zinc plated            |
| Contamination class to ISO 4406: | See technical spec.            |
| MTFfa:                           | 150 years                      |

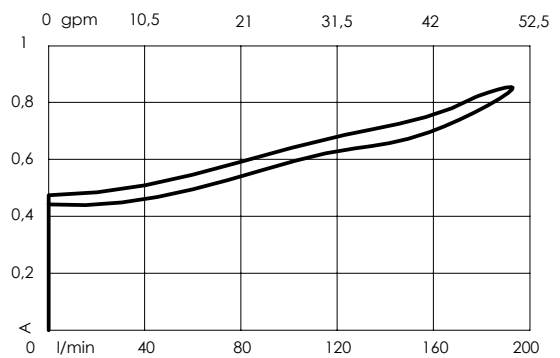
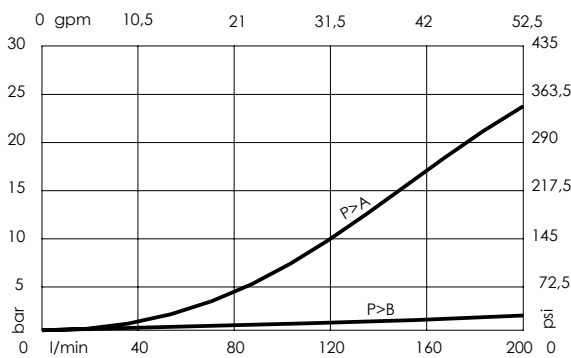
## NOTES

- Max back pressure admitted on "DR" line 1,5 bar.
- For correct operation 8-9 bar must be present in port A. For open centre or low pressure systems a 9 bar check valve should be fitted in port A .
- Spool switching can be influenced by flexing or stressing the valve body. It is recommended to fit spacers on the mounting bolts between the valve and the mounting surface.

## SCHEME



## CURVES



## ORDERING CODES

| Quick code | Description                   | Type of coil | Mail ports size                                  | Setting range                |
|------------|-------------------------------|--------------|--|------------------------------|
| MF000412   | MFTT-200-MHAR-30-J10-V350-12V | 12V - DT04   | P,B: 3/4" JIS<br>A: 1" JIS<br>PR,DR,LS: 1/4" JIS | 30- 350 bar (430 - 5000 psi) |
| MF000413   | MFTT-200-MHAR-30-J10-V350-24V | 24V - DT04   |  |                              |
| MF000172   | MFTT-200-MHAR-30-G10-V350-12V | 12V - DT04   | P,B: G 3/4"<br>A: G 1"<br>PR,DR,LS: G 1/4"       | 30- 350 bar (430 - 5000 psi) |
| MF000173   | MFTT-200-MHAR-30-G10-V350-24V | 24V - DT04   |  |                              |