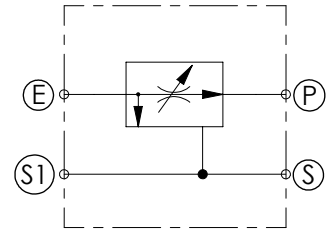
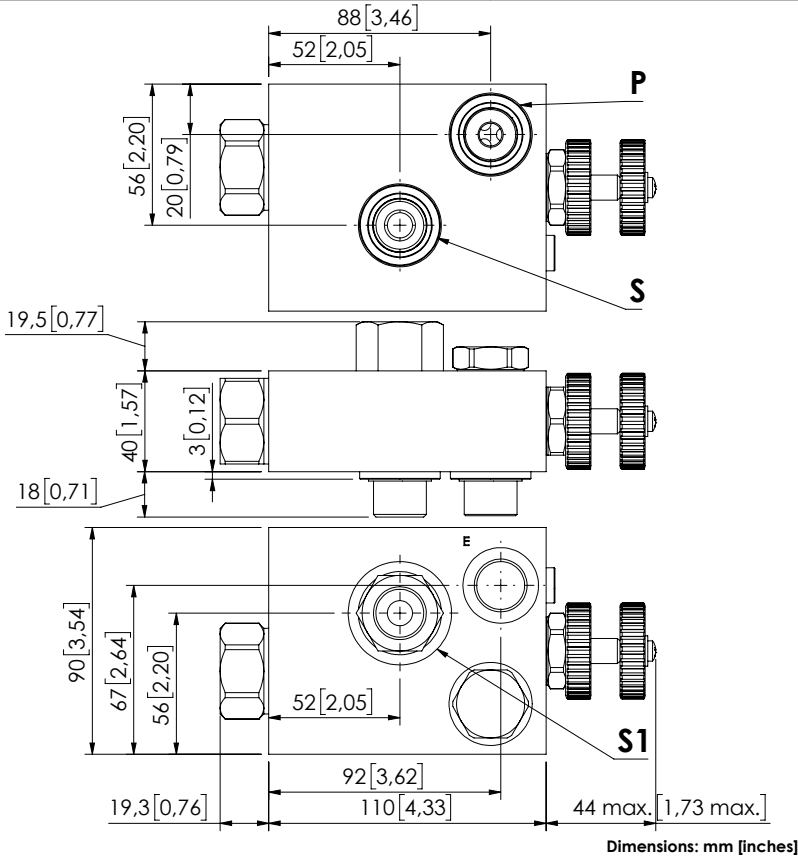


MFCT-090-RVTN

3 WAYS COMPENSATED
PRIORITY FLOW REGULATOR



SPECIFICATIONS

Max. operating pressure:	See table
Rated flow:	See table
Weight:	1,63 kg (3,6 lbs)
Contamination class to ISO 4406:	See technical spec.
MTF _d :	150 - 1200 years: See technical spec.

NOTES

Designed for DANFOSS motors OMP-OMR series.

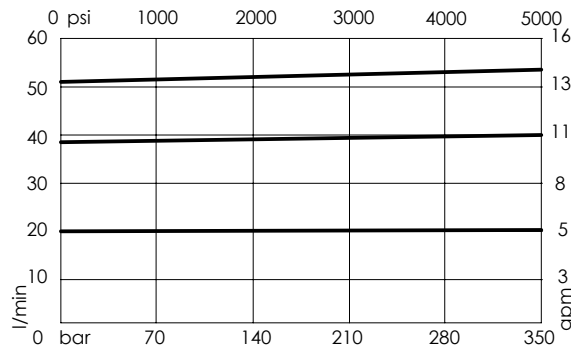
For other configurations/quick codes not available in this catalogue page please consult factory

OPTIONS



Handknob and locknut

CURVES



ORDERING CODES

Quick code	Description	Ports	Manifold	Max. pressure	Max. inlet flow	Max. regulated flow	Options
MF000373	MFCT-090-RVTN-55-G12-N210	E,P,S,S1: G 1/2"	Aluminium	210 bar (3000 psi)	90 l/min (24 gpm)	55 l/min (15 gpm)	Handknob and locknut