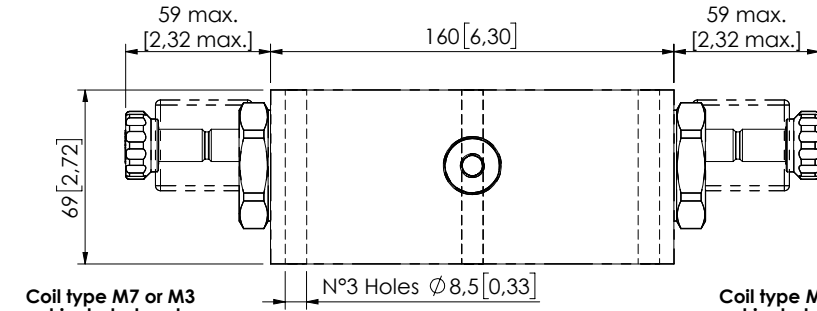


DIFFERENTIAL LOCK VALVE

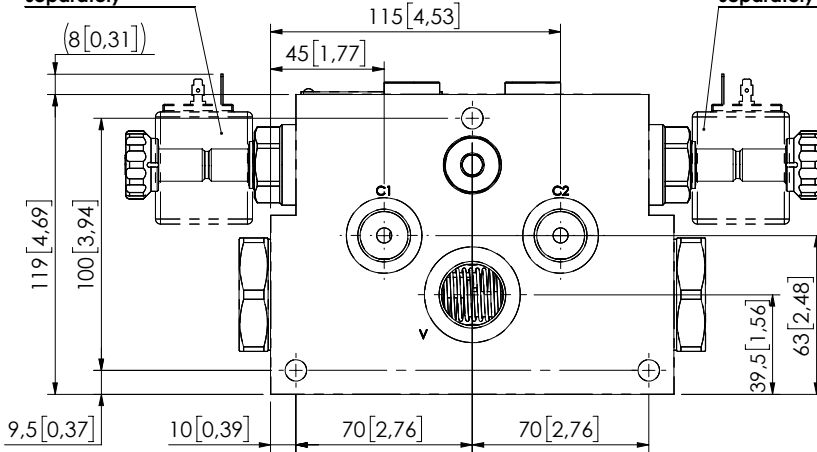
MFDT-150-BFAR

WITH ELECTRIC BYPASS

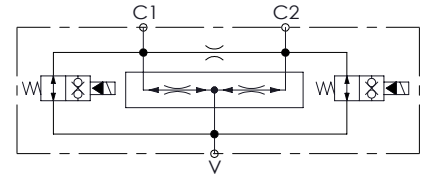


Coil type M7 or M3 not included and to be ordered separately

Coil type M7 or M3 not included and to be ordered separately



Dimensions: mm [inches]



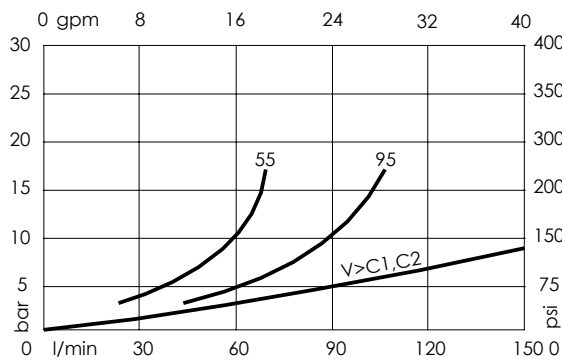
SPECIFICATIONS

Max. operating pressure:	350 bar (5000 psi)
Rated flow:	150 l/min (40 gpm)
Weight:	8,9 kg (19,6 lbs)
Manifold:	Steel
Coil type:	M7 or M3 type
Contamination class to ISO 4406:	See technical spec.
MTF _a :	150 - 1200 years: See technical spec.

NOTES

For other flow ranges contact AFT sales network.
 See chapter 21.00.000 for coil.
 For other configurations/quick codes not available in this catalogue page please consult factory

CURVES



ORDERING CODES

Quick code	Description	Ports	Regulated flow range
MF000347	MFDT-150-BFAR-55-G34-N350	C1,C2: G 1/2" V: G 3/4"	28-55 l/min (7-15 gpm)
MF000348	MFDT-150-BFAR-95-G34-N350	C1,C2: G 1/2" V: G 3/4"	56-95 l/min (15-25 gpm)