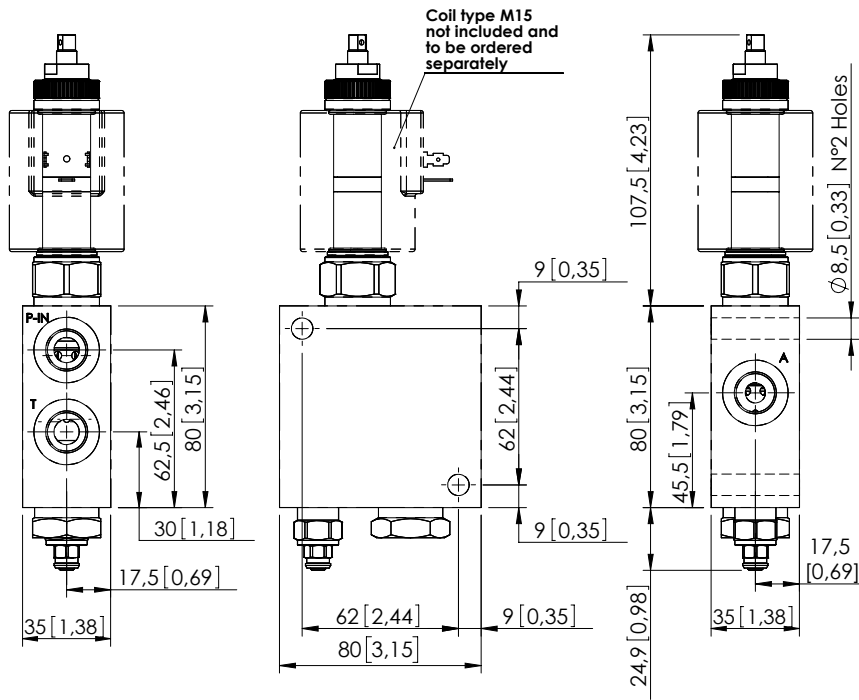
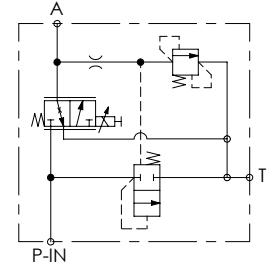


MFCZ-040-LSLR

PROPORTIONAL VALVE
COMPENSATED



Dimensions: mm [inches]



SPECIFICATIONS

Max. operating pressure:	210 bar (3000 psi)
Rated flow:	40 l/min (11 gpm)
Recommend PWM range:	150-180 Hz
Manifold:	Aluminium
Weight:	0,84 kg (1,85 lbs)
Coil type:	M15
Max. int. leakage:	150 cm ³ /min (@46 cSt) 9 in ³ /min (@46 cSt)
Contamination class to ISO 4406:	See technical spec.
MTTF:	150 - 1200 years: See technical spec.

NOTES

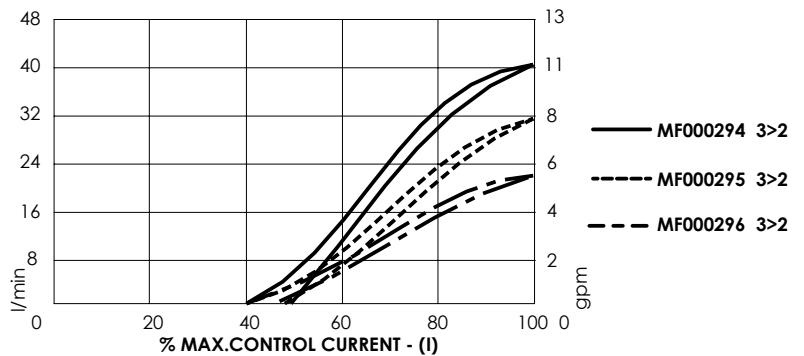
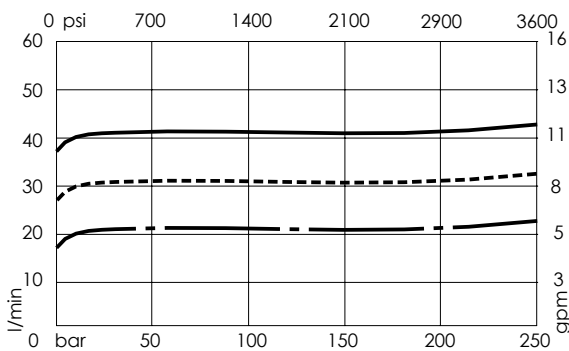
Bleed air before use.

Manual override screw type.

See chapter 21.00.000 for coil.

For other configurations/quick codes not available in this catalogue page please consult factory

CURVES



ORDERING CODES

Quick code	Description	Rated flow	Ports	Threshold current (with 12VDC coil)	Max control current (with 12VDC coil)
MF000294	MFCZ-040-LSLR-40-G38-N210	40 l/min (11 gpm)	A,P-IN,T: G 3/8"	800 mA (± 7%)	1600 mA (± 7%)
MF000295	MFCZ-030-LSLR-30-G38-N210	30 l/min (8 gpm)	A,P-IN,T: G 3/8"	700 mA (± 7%)	1500 mA (± 7%)
MF000296	MFCZ-020-LSLR-20-G38-N210	20 l/min (5 gpm)	A,P-IN,T: G 3/8"	700 mA (± 7%)	2400 mA (± 7%)