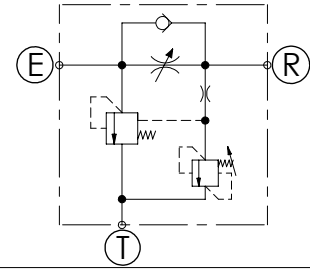
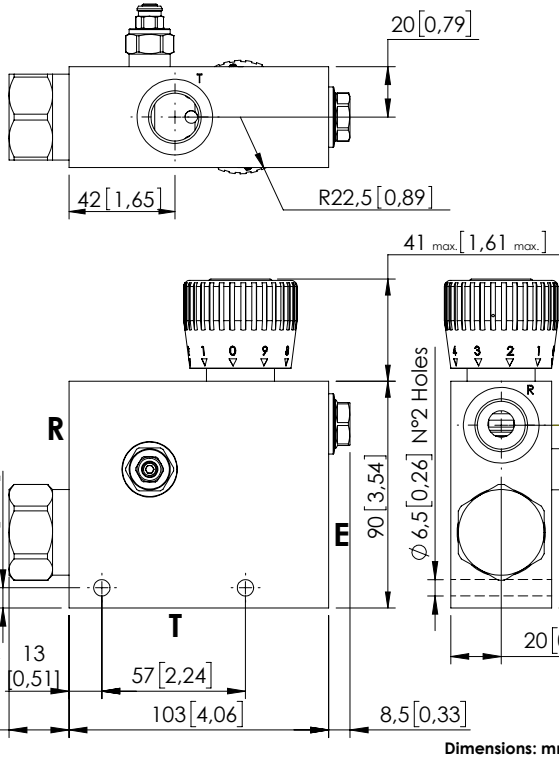


MFCT-090-TPZR

3 WAYS COMPENSATED
BY PASS CHECK VALVE
RELIEF VALVE



SPECIFICATIONS

Max. operating pressure:	See table
Rated flow:	See table
Weight:	1,44 kg (3 lbs)
Contamination class to ISO 4406:	See technical spec.
MTF _d :	150 - 1200 years: See technical spec.

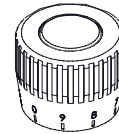
RELIEF VALVE

Setting range	35-210 bar (500-3000 psi)
Standard setting	210 bar (3000 psi)
Pressure increase	142 bar (2000 psi)

NOTES

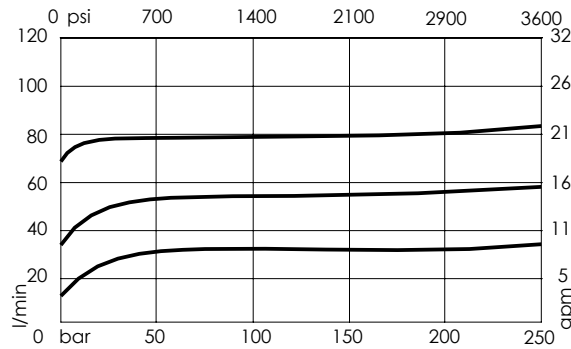
For other configurations/quick codes not available in this catalogue page please consult factory

OPTIONS



Graduated handknob for flow regulation under pressure

CURVES



ORDERING CODES

Quick code	Description	Ports	Manifold	Max. pressure	Max. inlet flow	Regulated flow range	Options
MF000226	MFCT-090-TPZR-06-G12-N210	E,R,T: G 1/2"	Aluminium	210 bar (3000 psi)	90 l/min (24 gpm)	0-6 l/min (0-1,5 gpm)	Graduated handknob
MF000227	MFCT-090-TPZR-12-G12-N210	E,R,T: G 1/2"	Aluminium	210 bar (3000 psi)	90 l/min (24 gpm)	0-12 l/min (0-3 gpm)	Graduated handknob
MF000228	MFCT-090-TPZR-25-G12-N210	E,R,T: G 1/2"	Aluminium	210 bar (3000 psi)	90 l/min (24 gpm)	0-25 l/min (7 gpm)	Graduated handknob
MF000229	MFCT-090-TPZR-32-G12-N210	E,R,T: G 1/2"	Aluminium	210 bar (3000 psi)	90 l/min (24 gpm)	0-32 l/min (0-9 gpm)	Graduated handknob
MF000230	MFCT-090-TPZR-50-G12-N210	E,R,T: G 1/2"	Aluminium	210 bar (3000 psi)	90 l/min (24 gpm)	0-50 l/min (0-13 gpm)	Graduated handknob
MF000231	MFCT-090-TPZR-63-G12-N210	E,R,T: G 1/2"	Aluminium	210 bar (3000 psi)	90 l/min (24 gpm)	0-63 l/min (0-17 gpm)	Graduated handknob
MF000232	MFCT-090-TPZR-70-G12-N210	E,R,T: G 1/2"	Aluminium	210 bar (3000 psi)	90 l/min (24 gpm)	0-70 l/min (0-19 gpm)	Graduated handknob
MF000233	MFCT-090-TPZR-80-G12-N210	E,R,T: G 1/2"	Aluminium	210 bar (3000 psi)	90 l/min (24 gpm)	0-80 l/min (0-21 gpm)	Graduated handknob