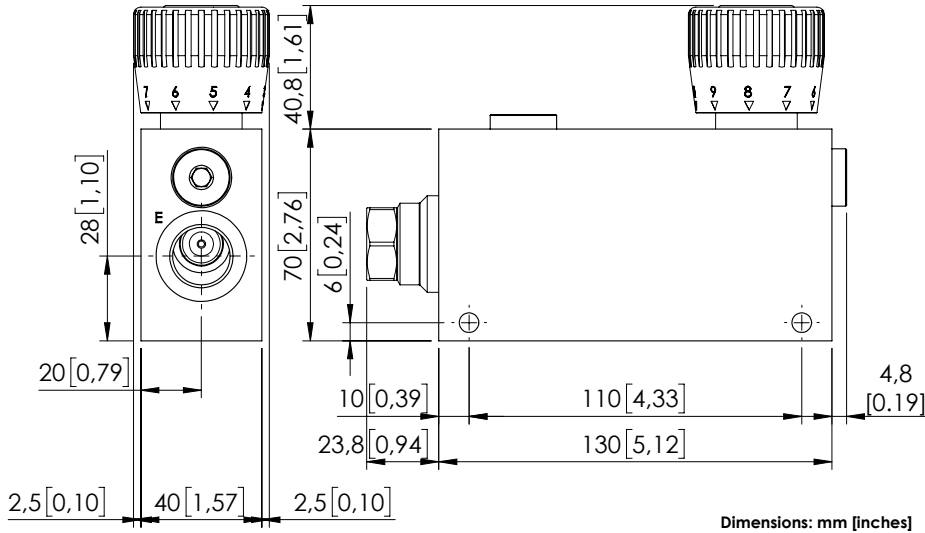
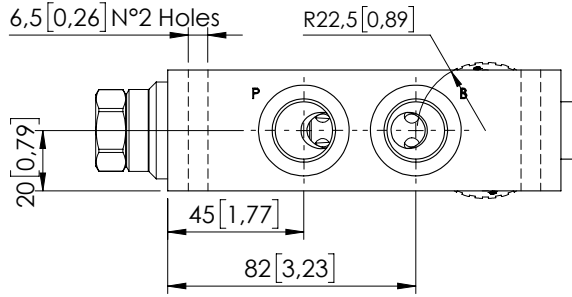
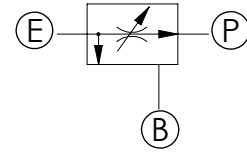


MFPT-090-RPZR

PRESSURE COMPENSATED
PRIORITY FLOW REGULATOR



Dimensions: mm [inches]



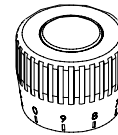
SPECIFICATIONS

Max. operating pressure:	See table
Rated flow:	See table
Weight:	1,3 kg (2,8 lbs)
Contamination class to ISO 4406:	See technical spec.
MTF _d :	150 - 1200 years: See technical spec.

NOTES

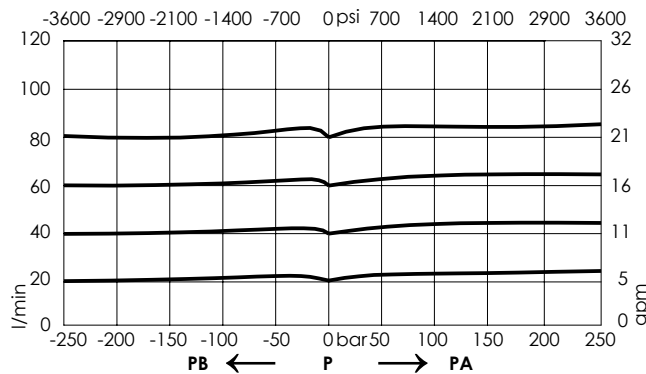
For other configurations/quick codes not available in this catalogue page please consult factory

OPTIONS



Graduated handknob for flow regulation under pressure

CURVES



ORDERING CODES

Quick code	Description	Ports	Manifold	Max. pressure	Max. inlet flow	Regulated flow range	Options
MF000211	MFPT-090-RPZR-12-G12-N210	P,B,E: G 1/2"	Aluminium	210 bar (3000 psi)	90 l/min (24 gpm)	0-12 l/min (0-3 gpm)	Graduated handknob
MF000212	MFPT-090-RPZR-25-G12-N210	P,B,E: G 1/2"	Aluminium	210 bar (3000 psi)	90 l/min (24 gpm)	0-25 l/min (7 gpm)	Graduated handknob
MF000213	MFPT-090-RPZR-32-G12-N210	P,B,E: G 1/2"	Aluminium	210 bar (3000 psi)	90 l/min (24 gpm)	0-32 l/min (0-9 gpm)	Graduated handknob
MF000214	MFPT-090-RPZR-50-G12-N210	P,B,E: G 1/2"	Aluminium	210 bar (3000 psi)	90 l/min (24 gpm)	0-50 l/min (0-13 gpm)	Graduated handknob
MF000215	MFPT-090-RPZR-63-G12-N210	P,B,E: G 1/2"	Aluminium	210 bar (3000 psi)	90 l/min (24 gpm)	0-63 l/min (0-17 gpm)	Graduated handknob
MF000216	MFPT-090-RPZR-70-G12-N210	P,B,E: G 1/2"	Aluminium	210 bar (3000 psi)	90 l/min (24 gpm)	0-70 l/min (0-19 gpm)	Graduated handknob
MF000217	MFPT-090-RPZR-80-G12-N210	P,B,E: G 1/2"	Aluminium	210 bar (3000 psi)	90 l/min (24 gpm)	0-80 l/min (0-21 gpm)	Graduated handknob