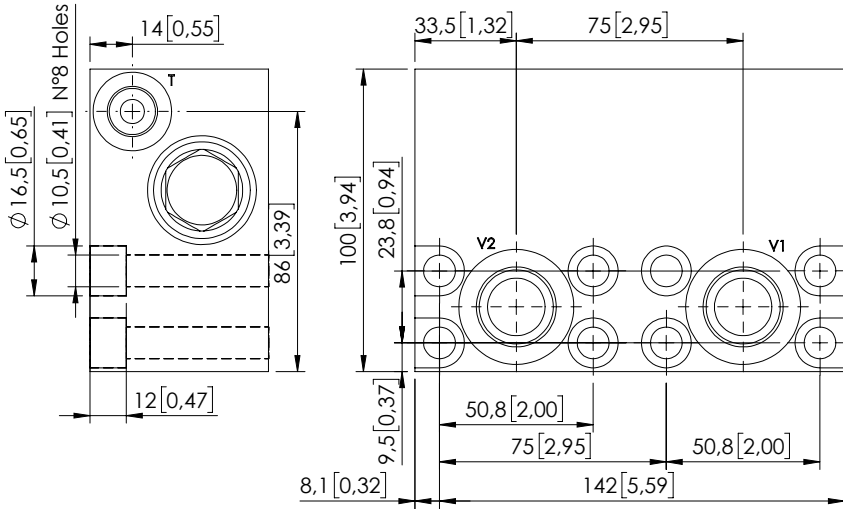
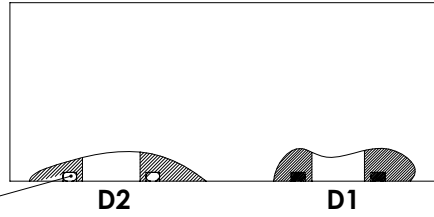


MFLN-300-RFSR

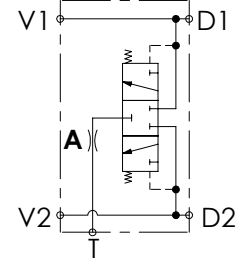
FLUSHING VALVE
FLANGEABLE TYPE



O-Ring 24,99x3,53 - N70
[0,984 x 0,139]



Dimensions: mm [inches]



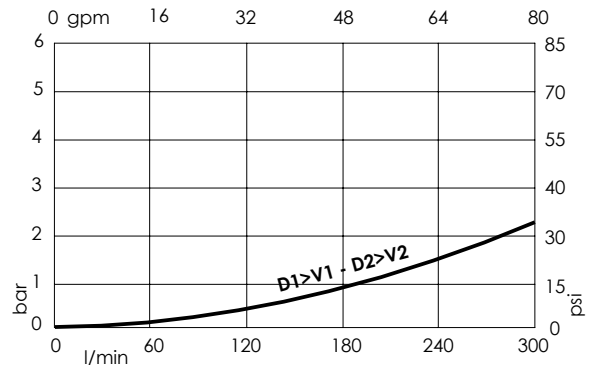
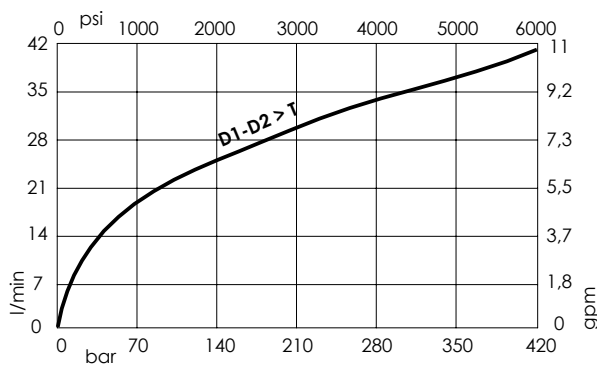
SPECIFICATIONS

Max. operating pressure:	420 bar (6000 psi)
Rated flow:	300 l/min (53 gpm)
Manifold:	Steel
Weight:	5,38 kg (11,86 lbs)
Contamination class to ISO 4406:	See technical spec.
MTTFa:	150 - 1200 years: See technical spec.

NOTES

For other configurations/quick codes not available in this catalogue page please consult factory

CURVES



ORDERING CODES

Quick code	Description	Main ports size	Spool setting	A orifice Ø
MF000110	MFLN-300-RFSR-09-S34-N420	V1,V2:G3/4" D1,D2:3/4"SAE 6000 T: G3/8"	6 bar (85 psi)	1,9 [0,075]