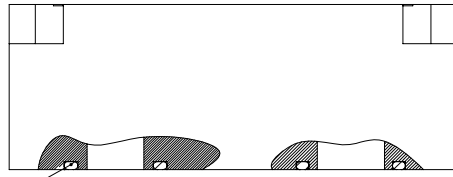


MFLN-500-RFSR

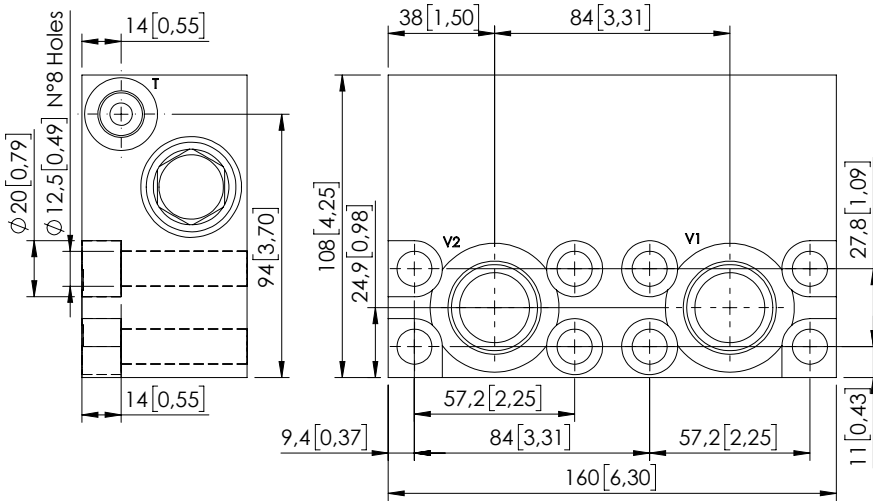
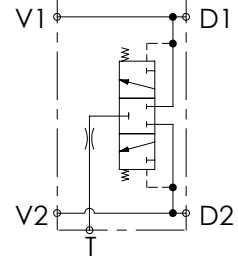
FLUSHING VALVE
FLANGEABLE TYPE



O-Ring 24,99x3,53 - N70
[0,984 x 0,139]

D2

D1



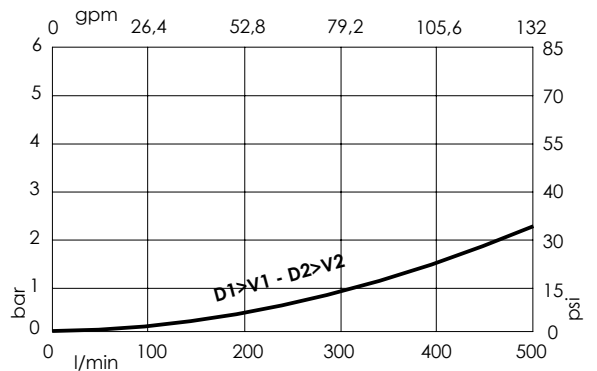
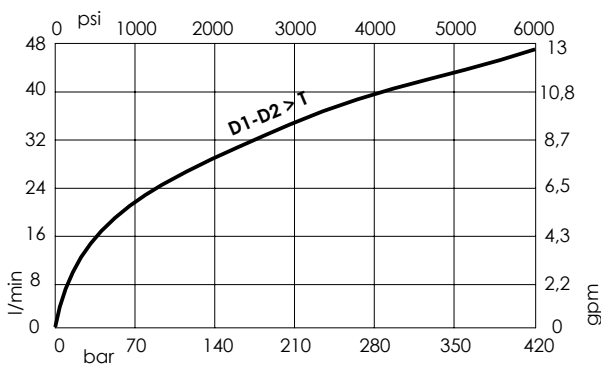
SPECIFICATIONS

Max. operating pressure:	420 bar (6000 psi)
Rated flow:	500 l/min (132 gpm)
Manifold:	Steel
Weight:	6,2 kg (13,67 lbs)
Contamination class to ISO 4406:	See technical spec.
MTTFa:	150 - 1200 years: See technical spec.

NOTES

For other configurations/quick codes not available in this catalogue page please consult factory

CURVES



ORDERING CODES

Quick code	Description	Main ports size	Spool setting	A orifice Ø
MF000109	MFLN-500-RFSR-13-S10-N420	V1,V2: G1" D1,D2: 1" SAE 6000 T: G3/8"	6 bar (85 psi)	2,1 [0,083]