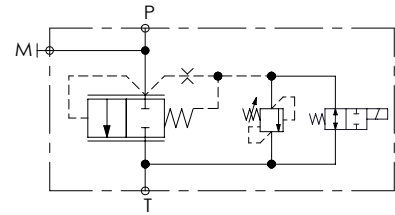
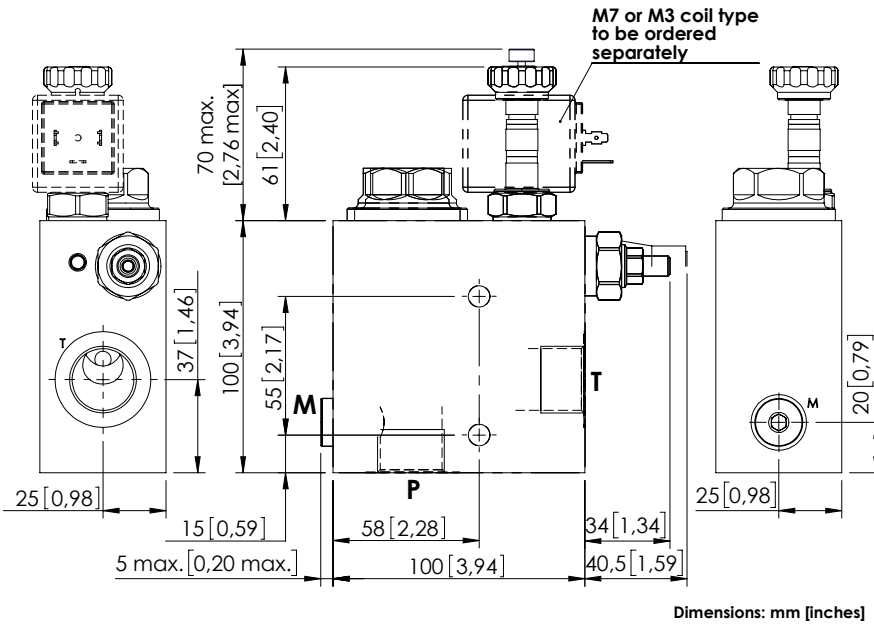
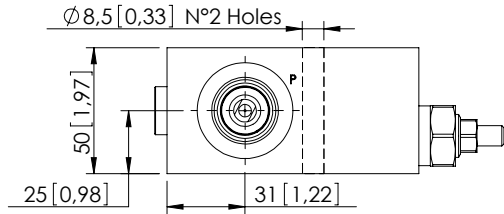


UNLOADING VALVE

MFTS-200-DHAN

SOLENOID OPERATED
UNLOADING VALVE
WITH RELIEF



SPECIFICATIONS

Max. operating pressure:	250 bar (3600 psi)
Rated flow:	200 l/min (53 gpm)
Manifold:	Aluminium
Weight:	1,69 kg (3,7 lbs)
Internal leakage:	80 cm ³ /min (4,88 in ³ /min)
Coil type:	M7 or M3 type
Contamination class to ISO 4406:	See technical spec.
MTTFd:	150 - 1200 years: See technical spec.

NOTES

Available in steel version for 350 bar (5000 psi) maximum operating pressure.
See chapter 21.00.000 for coil.
For other configurations/quick codes not available in this catalogue page please consult factory

CURVES

OPTIONS

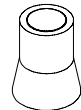
Standard



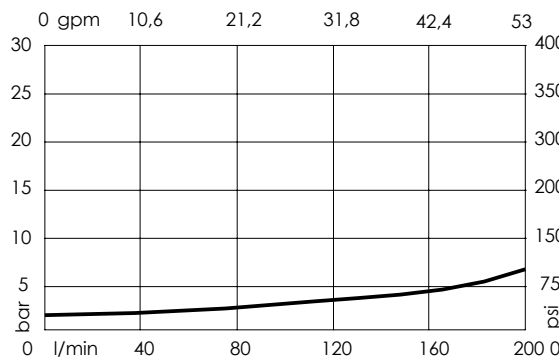
Push style override



SEALING CAP



Ordering code:
AT000020



ORDERING CODES

Quick code	Description	Ports	Standard setting Q=5 l/min (1,3 gpm)	Adjustment range	Pressure increase	Options
MF000038	MFTS-200-DHAN-NP-G34-N250	P,T: G 3/4" M: G 1/4"	200 bar (2900 psi)	140-350 bar (2000-5000 psi)	142 bar/turn (2000 psi/turn)	Standard
MF000044	MFTS-200-DHAE-NP-G34-N250	P,T: G 3/4" M: G 1/4"	200 bar (2900 psi)	140-350 bar (2000-5000 psi)	142 bar/turn (20060 psi/turn)	Push style override