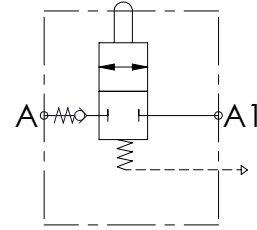
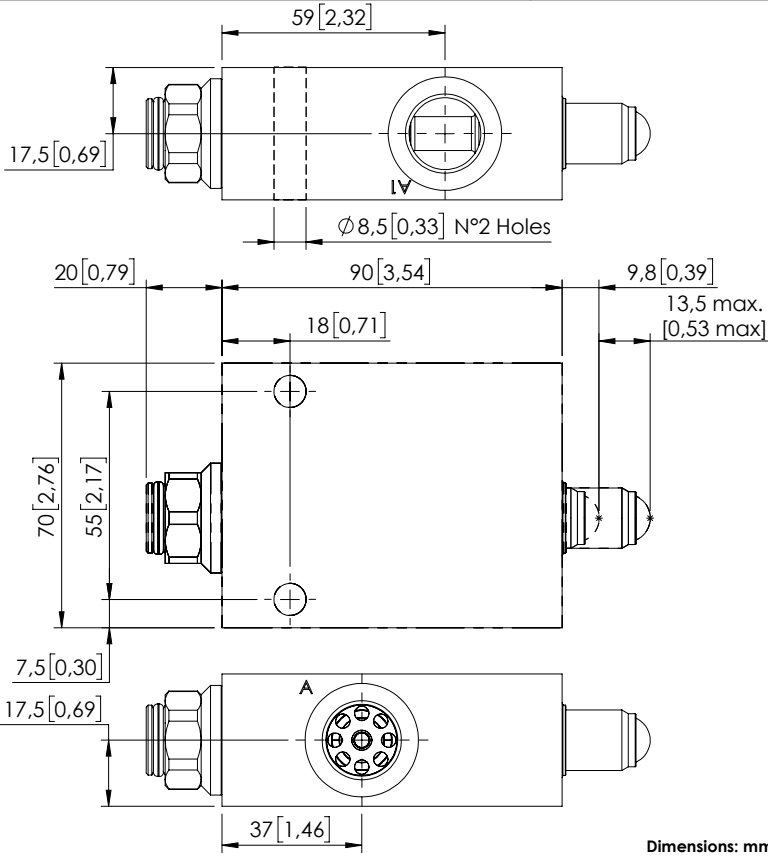


END OF STROKE VALVE

# MDTC-100-AVNR

NORMALLY CLOSED  
AIR VENTED



### SPECIFICATIONS

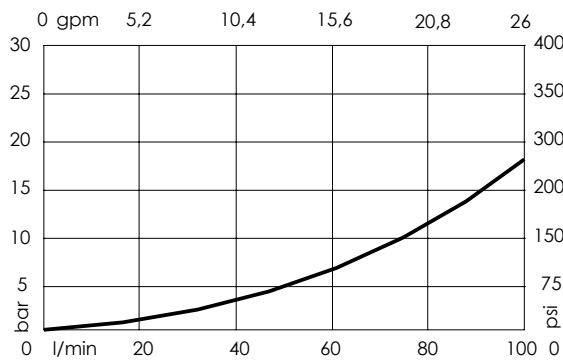
Max. operating pressure:	350 bar (5000 psi)
Rated flow:	100 l/min (26 gpm)
Manifold:	Steel
Weight:	1,59 kg (3,5 lbs)
Maximum stroke:	13,5 mm [0,53 inch]
Contamination class to ISO 4406:	See technical spec.
MTF <sub>a</sub> :	150 - 1200 years: See technical spec.

### NOTES

Max. leakage at 150 bar (14,5 psi) when fully closed is 200 cm<sup>3</sup>/min (12 in<sup>3</sup>/min).

For other configurations/quick codes not available in this catalogue page please consult factory

### CURVES



A > A1  
A1 > A  
Not piloted

### ORDERING CODES

Quick code	Description	Ports	Start opening	Fully open
MD000091	MDTC-100-AVNR-NP-G12-N350	A,A1: G 1/2"	5,3 kg (11,6 lb)	14 kg (30,8 lb)