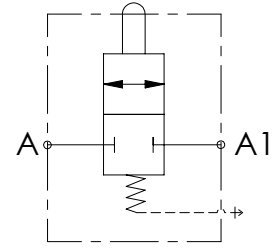
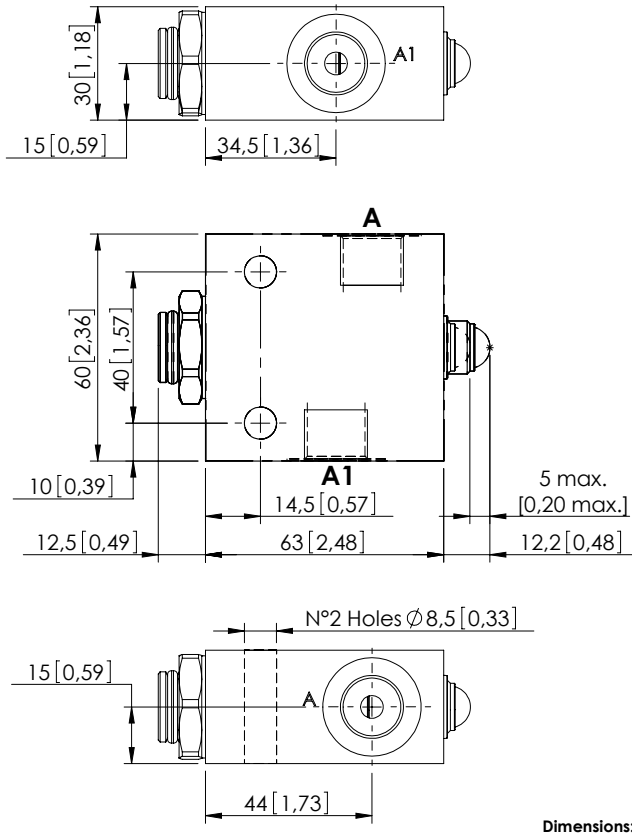


MDTC-060-ABNR

NORMALLY CLOSED
COMPENSATED



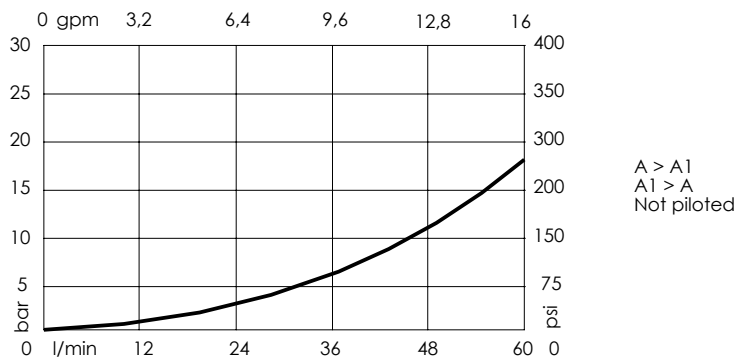
SPECIFICATIONS

Max. operating pressure:	350 bar (5000 psi)
Rated flow:	60 l/min (16 gpm)
Manifold:	Steel
Weight:	0,82 kg (1,7 lbs)
Maximum stroke:	5 mm [0,2 inches]
Contamination class to ISO 4406:	See technical spec.
MTF _a :	150 - 1200 years: See technical spec.

NOTES

Max. leakage at 150 bar (14,5 psi) when fully closed is 200 cm³/min (12 in³/min).
For other configurations/quick codes not available in this catalogue page please consult factory

CURVES



ORDERING CODES

Quick code	Description	Ports	Start opening	Fully open
MD000090	MDTC-060-ABNR-NP-G38-N350	A,A1: G 3/8"	4 kg (8,8 lb)	13 kg (28,6 lb)