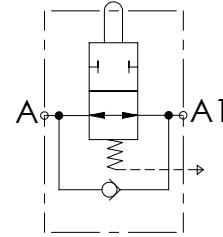
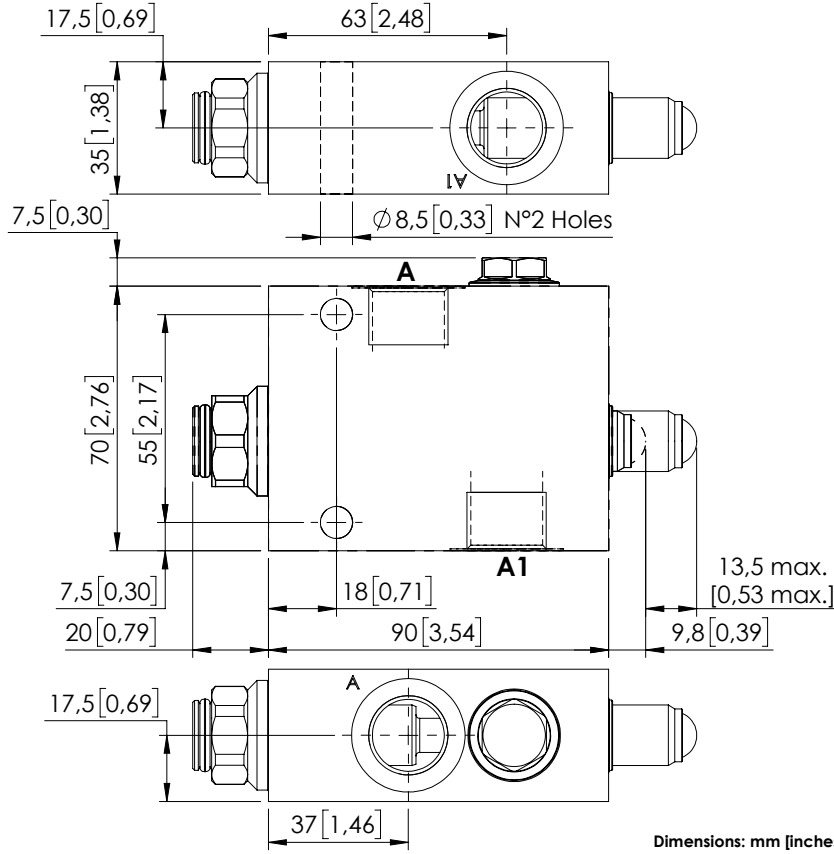


MDTA-100-AVNR

NORMALLY OPEN
COMPENSATED



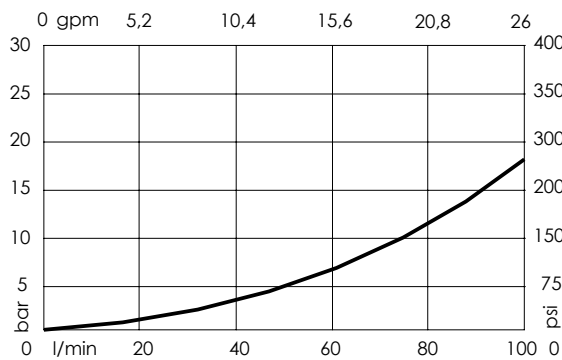
SPECIFICATIONS

Max. operating pressure:	350 bar (5000 psi)
Rated flow:	100 l/min (26 gpm)
Manifold:	Steel
Weight:	1,54 kg (3,5 lbs)
Maximum stroke:	13,5 mm [0,53 inch]
Contamination class to ISO 4406:	See technical spec.
MTTF _a :	150 - 1200 years: See technical spec.

NOTES

Max. leakage at 150 bar (14,5 psi) when fully closed is 200 cm³/min (12 in³/min).
For other configurations/quick codes not available in this catalogue page please consult factory

CURVES



A > A1
A1 > A
Not piloted

ORDERING CODES

Quick code	Description	Ports	Start closing	Fully closed
MD000032	MDTA-100-AVNR-NP-G12-N350	A,A1: G 1/2"	5,3 kg (11,6 lb)	14 kg (30,8 lb)