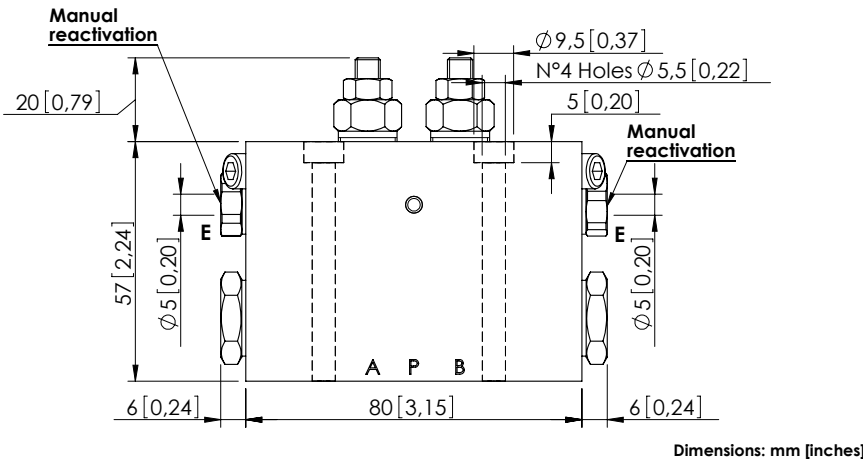
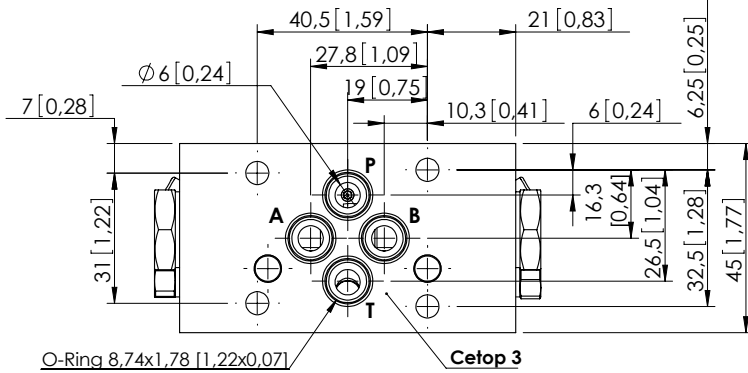


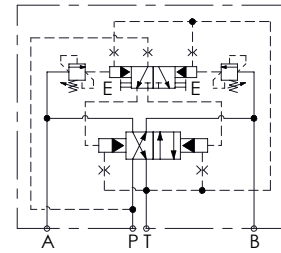
AUTOMATIC DIRECTIONAL VALVE

MDAP-040-NNNR

PRESSURE SWITCHING



Dimensions: mm [inches]



SPECIFICATIONS

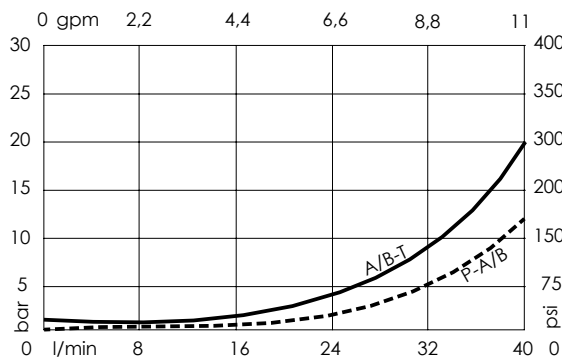
Max. operating pressure:	350 bar (5000 psi)
Rated flow:	40 l/min (11 gpm)
Weight:	1,48 kg (3,2 lbs)
Manifold:	Cast Iron
Contamination class to ISO 4406:	See technical spec.
MTF _d :	150 - 1200 years: See technical spec.

NOTES

Minimum required flow: 3 l/min (0,8 gpm).

Actuator working pressure should always be lower than the automatic switching valve relief setting.
Automatic switching valve relief setting should always be lower than pump relief valve setting.
For other configurations/quick codes not available in this catalogue page please consult factory

CURVES



ORDERING CODES

Quick code	Description	Ports	Standard setting Q=5 l/min (1,3 gpm)	Setting range	Pressure increase
MD000027	MDAP-040-NNNR-NP-N06-N350	A,B,P,T: CETOP 3	350 bar (5000 psi)	100-350 bar (1500-5000 psi)	95 bar/turn (1300 psi/turn)
MD000026	MDAP-040-NNNR-NP-N06-N200	A,B,P,T: CETOP 3	200 bar (2900 psi)	50-210 bar (700-3000 psi)	51 bar/turn (700 psi/turn)
MD000025	MDAP-040-NNNR-NP-N06-N100	A,B,P,T: CETOP 3	100 bar (1500 psi)	15-100 bar (200-1500 psi)	26 bar/turn (400 psi/turn)