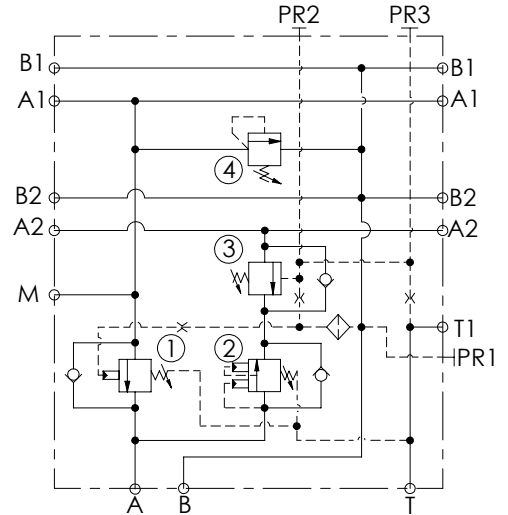
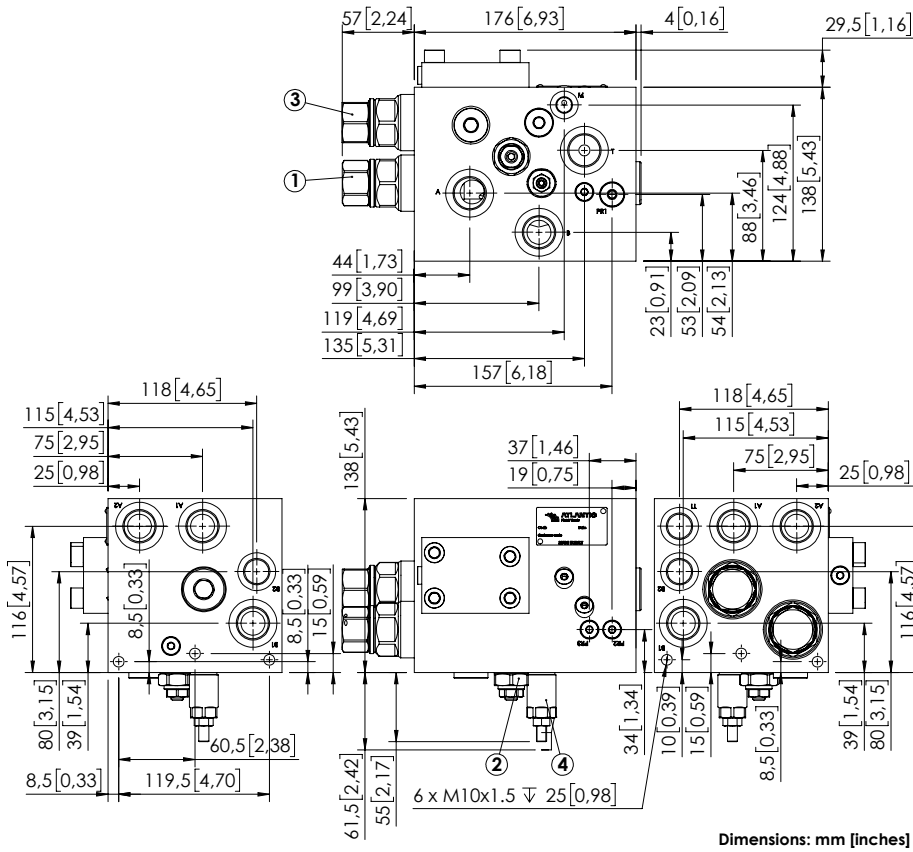


# MRDN-150-ZLNP



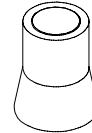
### SPECIFICATIONS

|                                  |                     |
|----------------------------------|---------------------|
| Max. operating pressure:         | 350 bar (5000 psi)  |
| Rated flow:                      | 150 l/min (40 gpm)  |
| Manifold:                        | Aluminium           |
| Weight:                          | 10,18 kg (22,4 lbs) |
| Contamination class to ISO 4406: | See technical spec. |
| MTF <sub>d</sub> :               | 150 years           |

### NOTES

For other configurations/quick codes not available in this catalogue page please consult factory

### SEALING CAP



Ordering code:  
AT000020

### CURVES

### ORDERING CODES

| Quick code | Description               | Pilot ratio | Ports  | Standard setting<br>Q=5 l/min (1,3 gpm)  | Adjustment range   | Pressure increase<br>bar/turn (psi/turn)                   |
|------------|---------------------------|-------------|--|--|--|--|
| MB000700   | MRDN-150-ZLNP-06-G34-N350 | 4:1         | A, A1, A2, B, B1, T: G3/4"<br>B2, T1: G1/2"<br>T2, M1, T3: G1/4" | ① 300 bar (4300 psi)<br>② 175 bar (2500 psi)<br>③ 350 bar (5000 psi)<br>④ 280 bar (4000 psi) | ① 100-350 bar (1500-5000 psi)<br>② 140-350 bar (2000-5000 psi)<br>③ 60-210 bar (850-3000 psi)<br>④ 100-350 bar (1500-5000 psi) | ① 105 (1500)<br>② 70,5 (1000)<br>③ 62 (850)<br>④ 91 (1300) |