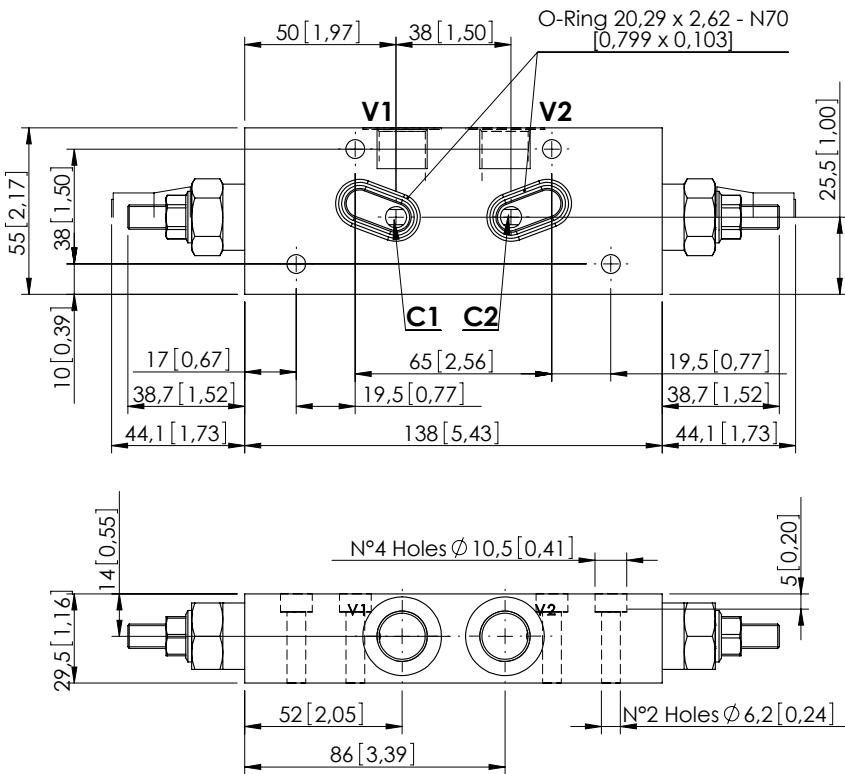


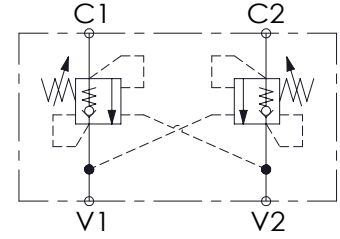
OVERCENTRE VALVE

# MBDN-040-LBNN

DOUBLE ACTING  
TWO FLANGED PORTS



Dimensions: mm [inches]



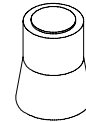
## SPECIFICATIONS

Max. operating pressure:	350 bar (5000 psi)
Rated flow:	40 l/min (11 gpm)
Manifold:	Aluminium
Weight:	0,72 kg (1,59 lbs)
Contamination class to ISO 4406:	See technical spec.
MTTFa:	150 - 1200 years: See technical spec.

## NOTES

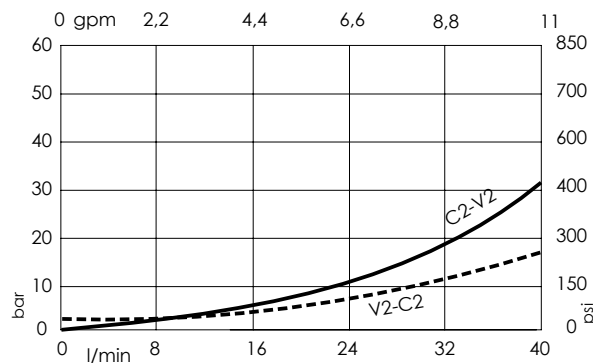
Setting: at least 1.3 times the load induced pressure.  
For other configurations/quick codes not available in this catalogue page please consult factory

## SEALING CAP



Ordering code:  
AT000020

## CURVES



## ORDERING CODES

Quick code	Description	Pilot ratio	Main ports size	Standard setting Q=5 l/min (1,3 gpm)	Adjustment range	Pressure increase
MB000410	MBDN-040-ZBNN-04-G38-N350	4,1:1	V1,V2: G3/8" C1,C2: Ø 7	350 bar (5000 psi)	100-350 bar (1400-5000 psi)	184 bar/turn (2700 psi/turn)
MB000411	MBDN-040-ZBNN-04-G38-N200	4,1:1	V1,V2: G3/8" C1,C2: Ø 7	200 bar (2900 psi)	60-210 bar (900-3000 psi)	83 bar/turn (1200 psi/turn)
MB000412	MBDN-040-ZBNN-07-G38-N350	7,5:1	V1,V2: G3/8" C1,C2: Ø 7	350 bar (5000 psi)	100-350 bar (1400-5000 psi)	138 bar/turn (2000 psi/turn)
MB000413	MBDN-040-ZBNN-07-G38-N200	7,5:1	V1,V2: G3/8" C1,C2: Ø 7	200 bar (2900 psi)	60-210 bar (900-3000 psi)	80 bar/turn (1200 psi/turn)