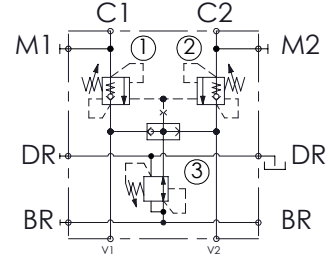
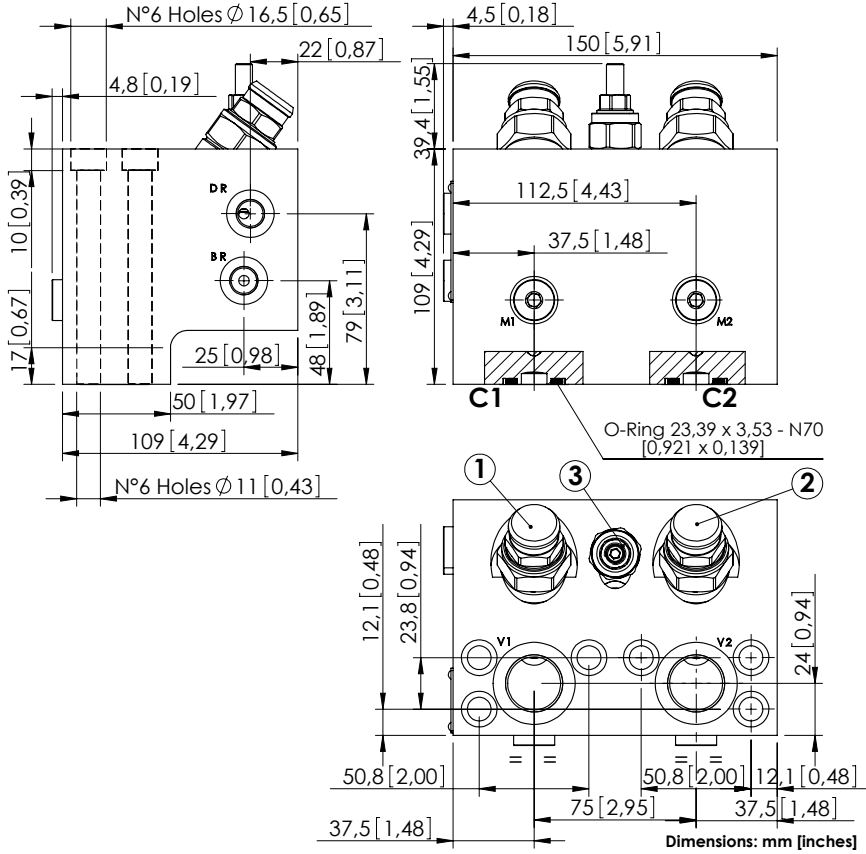


MBDN-150-AMSR

OVERCENTRE
WITH BRAKE RELEASE



SPECIFICATIONS

Max. operating pressure:	420 bar (6000 psi)
Rated flow:	150 l/min (40 gpm)
Manifold:	Steel
Weight:	11,01 kg(24,24 lbs)
Contamination class to ISO 4406:	See technical spec.
MTTFa:	150 - 1200 years: See technical spec.

NOTES

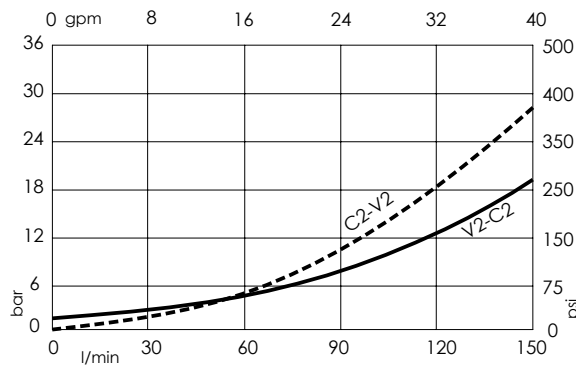
Setting: at least 1.3 times the load induced pressure.
Designed for REXROTH A2FE 45-56-63 motors.
For other configurations/quick codes not available in this catalogue page please consult factory

SEALING CAP



Ordering code:
ST000012

CURVES



ORDERING CODES

Quick code	Description	Pilot ratio	Main ports size	Standard setting Q=5 l/min (1,3 gpm)	Adjustment range	Pressure increase
MB000347	MBDN-150-AMSR-04-S34-N420	4:1	V1, V2: G3/4" C1, C2: 3/4" SAE 6000 BR, DR, M1, M2: G1/4"	① ② 350 bar (5000 psi) ③ 30 bar (400 psi)	① ② 100-350 bar (1400-5000 psi) ③ 10-60 bar (150-850 psi)	① ② 104 bar/turn (1500 psi/turn) ③ 6 bar/turn (85 psi/turn)
MB000350	MBDN-150-AMSR-08-S34-N420	8:1	V1, V2: G3/4" C1, C2: 3/4" SAE 6000 BR, DR, M1, M2: G1/4"	① ② 350 bar (5000 psi) ③ 30 bar (400 psi)	① ② 100-350 bar (1400-5000 psi) ③ 10-60 bar (150-850 psi)	① ② 82 bar/turn (1200 psi/turn) ③ 6 bar/turn (85 psi/turn)