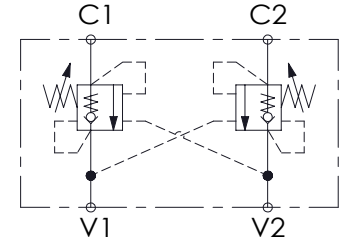
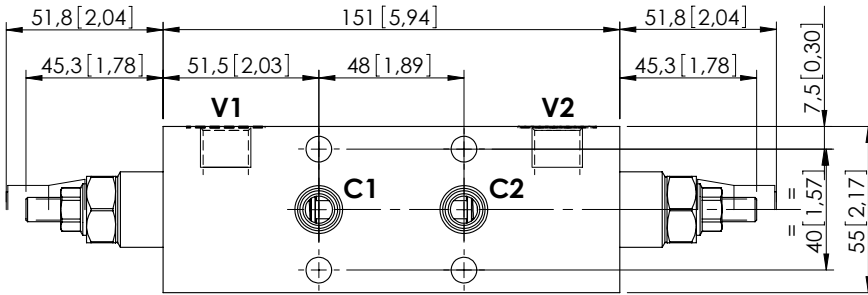


OVERCENTRE VALVE

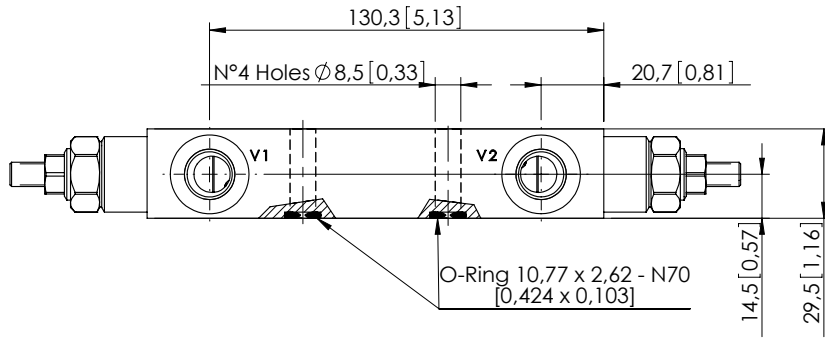
MBDN-060-ABNR

DOUBLE ACTING
TWO FLANGED PORTS



SPECIFICATIONS

| | |
|----------------------------------|---------------------|
| Max. operating pressure: | 350 bar (5000 psi) |
| Rated flow: | 60 l/min (16 gpm) |
| Manifold: | Steel |
| Weight: | 1,89 kg (4,17 lbs) |
| Contamination class to ISO 4406: | See technical spec. |
| MTF _a : | 150 years |

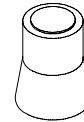


Dimensions: mm [inches]

NOTES

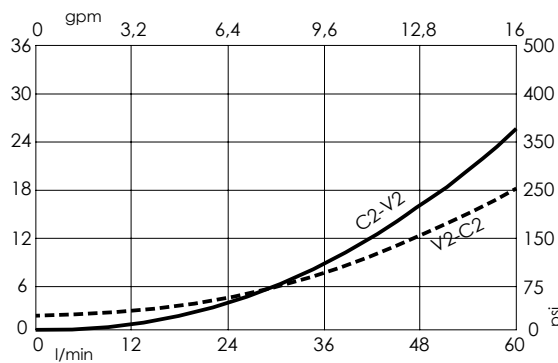
Setting: at least 1.3 times the load induced pressure.
For other configurations/quick codes not available in this catalogue page please consult factory

SEALING CAP



Ordering code:
AT000020

CURVES



ORDERING CODES

| Quick code | Description | Pilot ratio | Main ports size | Standard setting Q=5 l/min (1,3 gpm) | Adjustment range | Pressure increase |
|------------|---------------------------|-------------|-----------------------------|---|--------------------------------|---------------------------------|
| MB000235 | MBDN-060-ABNR-11-G38-N250 | 11:1 | V1, V2: G3/8" C1, C2: Ø9 | 200 bar (2900 psi) | 60-250 bar (850-3600 psi) | 69 bar/turn (1000 psi/turn) |
| MB000087 | MBDN-060-ABNR-04-G38-N350 | 4,2:1 | V1, V2: G3/8" C1, C2: Ø9 | 350 bar (5000 psi) | 100-350 bar (1400-5000 psi) | 138 bar/turn (2000 psi/turn) |
| MB000178 | MBDN-060-ABNR-04-G38-N200 | 4,2:1 | V1, V2: G3/8" C1, C2: Ø9 | 200 bar (2900 psi) | 60-210 bar (850-3000 psi) | 62 bar/turn (900 psi/turn) |
| MB000826 | MBDN-060-ABNR-07-G38-N350 | 7:1 | V1, V2: G3/8" C1, C2: Ø9 | 350 bar (5000 psi) | 100-350 bar (1400-5000 psi) | 106 bar/turn (1500 psi/turn) |