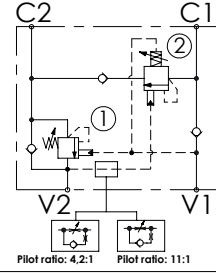
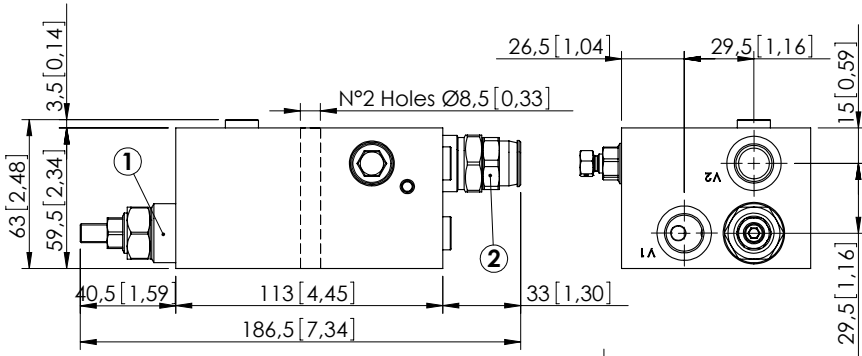


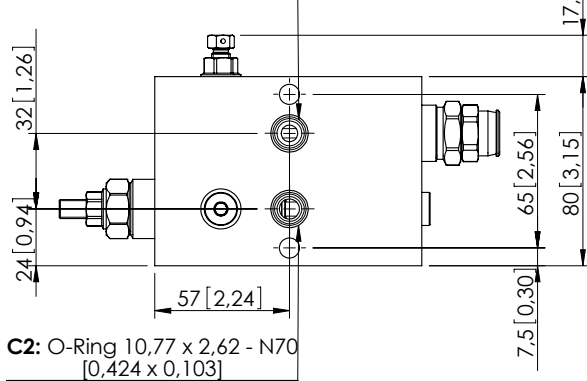
REGENERATIVE VALVE

MRSN-060-ZBNV

REGENERATIVE



C1: O-Ring 10,77 x 2,62 - N70
[0,424 x 0,103]



C2: O-Ring 10,77 x 2,62 - N70
[0,424 x 0,103]

Dimensions: mm [inches]

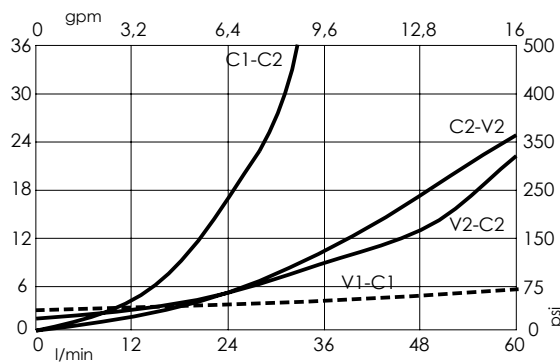
SPECIFICATIONS

Max. operating pressure:	350 bar (5000 psi)
Rated flow:	60 l/min (16 gpm)
Manifold:	Aluminium
Weight:	1,6 kg (3,53 lbs)
Contamination class to ISO 4406:	See technical spec.
MTTf:	150 - 1200 years: See technical spec.

NOTES

Setting: at least 1.3 times the load induced pressure.
 Designed for aerial platforms.
 For other configurations/quick codes not available in this catalogue page please consult factory

CURVES



ORDERING CODES

Quick code	Description	Pilot ratio	Main ports size	Standard setting (Q=5 l/min)	Adjustment range	Pressure increase
MB000035	MRSN-060-ZBNV-11-G38-N350	11:1	V1,V2 : G3/8" C1,C2 : Ø 7	350 bar (5000 psi)	100-350 bar (1400-5000 psi)	69 bar/turn (1000 psi/turn)
MB000085	MRSN-060-ZBNV-04-G38-N350	4,2:1	V1,V2 : G3/8" C1,C2 : Ø 7	350 bar (5000 psi)	100-350 bar (1400-5000 psi)	139 bar/turn (2000 psi/turn)