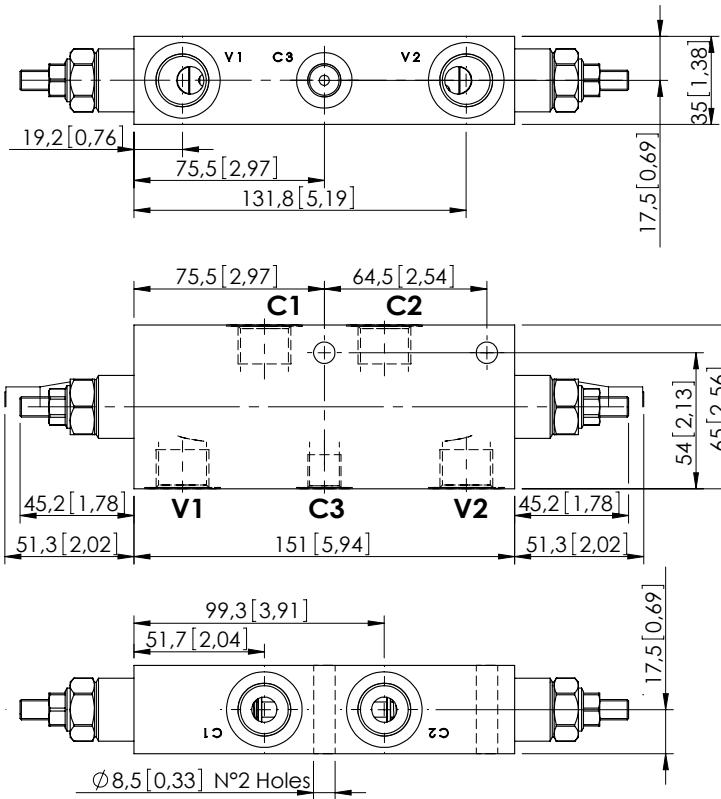
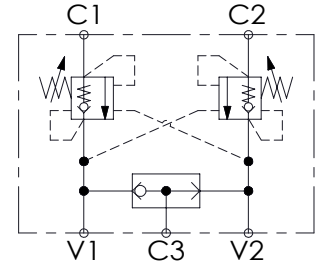


# MBDN-060-ALSF

DOUBLE ACTING WITH  
BRAKE RELEASE



Dimensions: mm [inches]



## SPECIFICATIONS

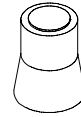
Max. operating pressure:	350 bar (5000 psi)
Rated flow:	60 l/min (16 gpm)
Manifold:	Steel
Weight:	2,53 kg (5,58 lbs)
Contamination class to ISO 4406:	See technical spec.
MTF <sub>a</sub> :	150 - 1200 years: See technical spec.

## NOTES

Setting: at least 1.3 times the load induced pressure.

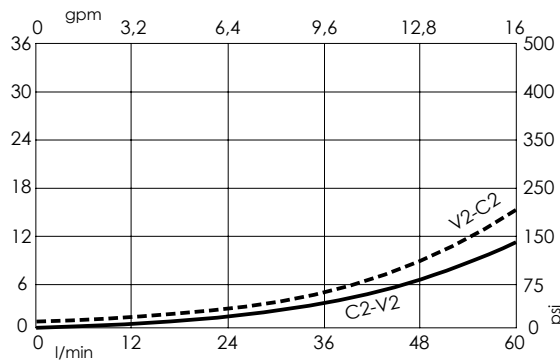
For other configurations/quick codes not available in this catalogue page please consult factory

## SEALING CAP



Ordering code:  
AT000020

## CURVES



## ORDERING CODES

Quick code	Description	Pilot ratio	Main ports size	Standard setting Q=5 l/min (1,3 gpm)	Adjustment range	Pressure increase
MB000021	MBDN-060-ALSF-11-G12-N350	11:1	V1,V2: G1/2" C1,C2: G1/2" C3:G1/4"	350 bar (5000 psi)	100-350 bar (1400-5000 psi)	161 bar/turn (2300 psi/turn)
MB000465	MBDN-060-ALSF-11-G12-N250	11:1	V1,V2: G1/2" C1,C2: G1/2" C3:G1/4"	250 bar (3600 psi)	60-250 bar (850-3600 psi)	69 bar/turn (1000 psi/turn)
MB000466	MBDN-060-ALSF-04-G12-N350	4,2:1	V1,V2: G1/2" C1,C2: G1/2" C3:G1/4"	350 bar (5000 psi)	100-350 bar (1400-5000 psi)	139 bar/turn (2000 psi/turn)
MB000363	MBDN-060-ALSF-04-G12-N200	4,2:1	V1,V2: G1/2" C1,C2: G1/2" C3:G1/4"	200 bar (2900 psi)	60-210 bar (850-3000 psi)	62 bar/turn (900 psi/turn)