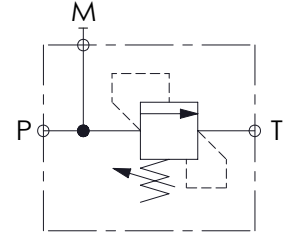
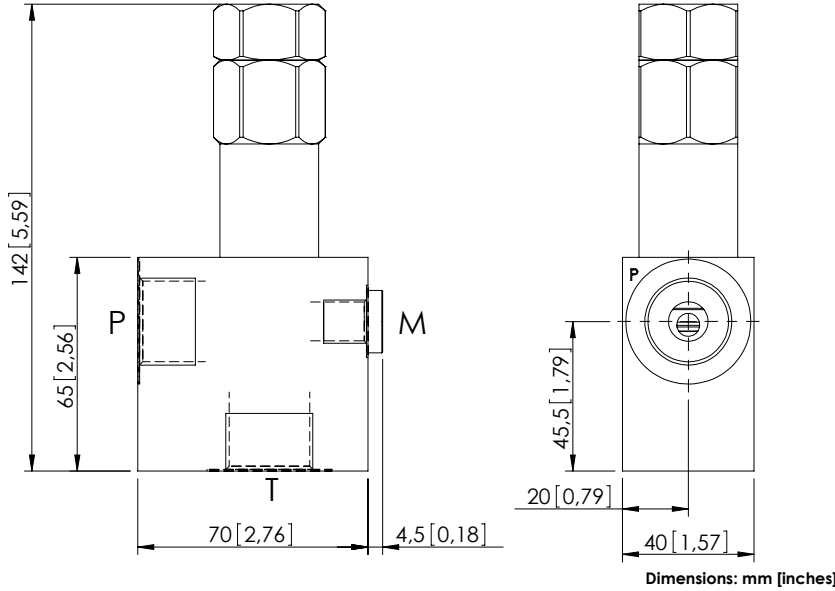
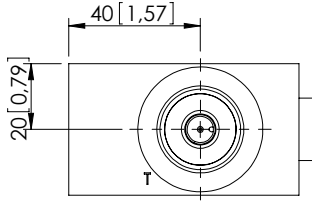


RELIEF VALVE IN BODY

KPLN-150-DHGD

DIFFERENTIAL AREA
POPPET TYPE

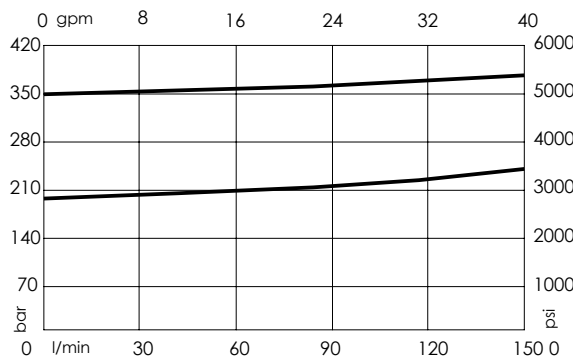


SPECIFICATIONS

Max. operating pressure:	350 bar (5000 psi)
Rated flow:	150 l/min (40 gpm)
Manifold:	Aluminium
Weight:	0,85 kg (1,87 lbs)
Contamination class to ISO 4406:	See technical spec.
MTF _a :	150 years

NOTES

CURVES



ORDERING CODES

Quick code	Description	Main ports size	Standard setting Q=5 l/min (1,3 gpm)	Adjustment range	Pressure increase
KP000028	KPLN-150-DHGD-HN-G34-N350	P,T : G 3/4"; M : G 1/4"	350 bar (5000 psi)	130-350 bar (1900-5000 psi)	111 bar/turn (1600 psi/turn)
KP000057	KPLN-150-DHGD-HN-G34-N200	P,T : G 3/4"; M : G 1/4"	200 bar (2900 psi)	70-210 bar (1000-3000 psi)	73 bar/turn (1100 psi/turn)
KP000020	KPLN-150-DHGD-HN-G12-N350	P,T : G 1/2"; M : G 1/4"	350 bar (5000 psi)	130-350 bar (1900-5000 psi)	111 bar/turn (1600 psi/turn)
KP000058	KPLN-150-DHGD-HN-G12-N200	P,T : G 1/2"; M : G 1/4"	200 bar (2900 psi)	70-210 bar (1000-3000 psi)	73 bar/turn (1100 psi/turn)