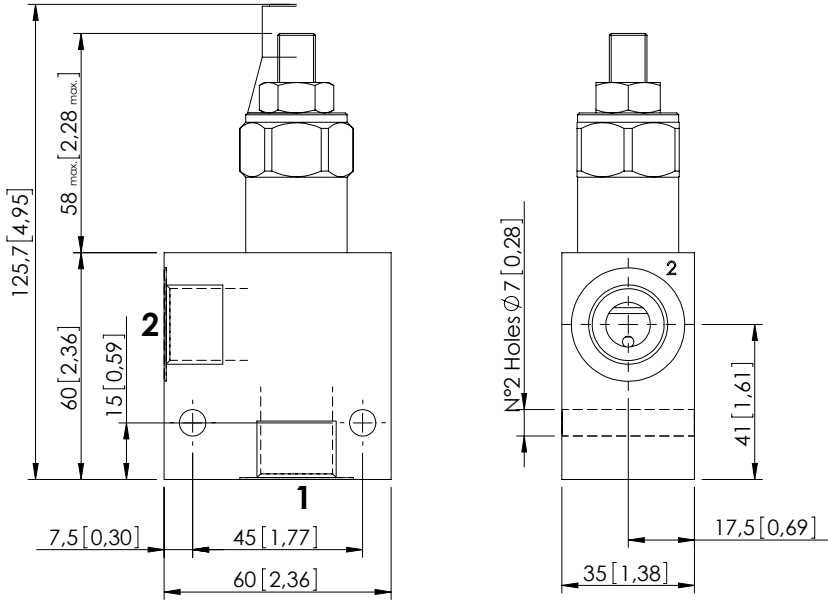
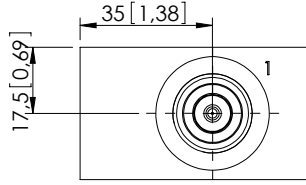


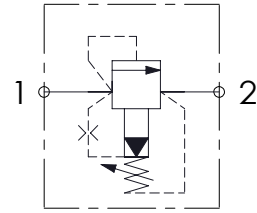
RELIEF VALVE IN BODY

KPLN-120-PSNA

PILOT OPERATED
SPOOL TYPE



Dimensions: mm [inches]



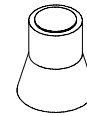
SPECIFICATIONS

Max. operating pressure:	350 bar (5000 psi)
Rated flow:	120 l/min (32 gpm)
Manifold:	Aluminium
Weight:	0,49 kg (1,08 lbs)
Contamination class to ISO 4406:	See technical spec.
MTTFa:	150 - 1200 years: See technical spec.
Leakage:	200 cm ³ /min @200 bar 12,2 in ³ /min @ 2800 psi

NOTES

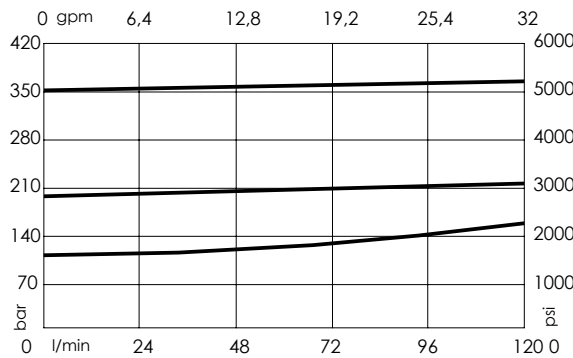
For other configurations/quick codes not available in this catalogue page please consult factory

SEALING CAP



Ordering code:
AT000022

CURVES



ORDERING CODES

Quick code	Description	Main ports size	Standard setting Q=5 l/min (1,3 gpm)	Adjustment range	Pressure increase
KP000014	KPLN-120-PSNA-HN-G12-N350	P,T : G1/2"	350 bar (5000 psi)	140-350 bar (2000-5000 psi)	114 bar/turn (1600 psi/turn)
KP000048	KPLN-120-PSNA-HN-G12-N200	P,T : G1/2"	200 bar (2900 psi)	70-210 bar (1000-3000 psi)	69 bar/turn (950 psi/turn)
KP000047	KPLN-120-PSNA-HN-G12-N100	P,T : G1/2"	100 bar (1400 psi)	35-120 bar (500-1700 psi)	37 bar/turn (500 psi/turn)
KP000096	KPLN-120-PSNA-HN-G34-N350	P,T : G3/4"	350 bar (5000 psi)	140-350 bar (2000-5000 psi)	114 bar/turn (1600 psi/turn)
KP000159	KPLN-120-PSNA-HN-G34-N200	P,T : G3/4"	200 bar (2900 psi)	70-210 bar (1000-3000 psi)	69 bar/turn (950 psi/turn)
KP000160	KPLN-120-PSNA-HN-G34-N100	P,T : G3/4"	100 bar (1400 psi)	35-120 bar (500-1700 psi)	37 bar/turn (500 psi/turn)