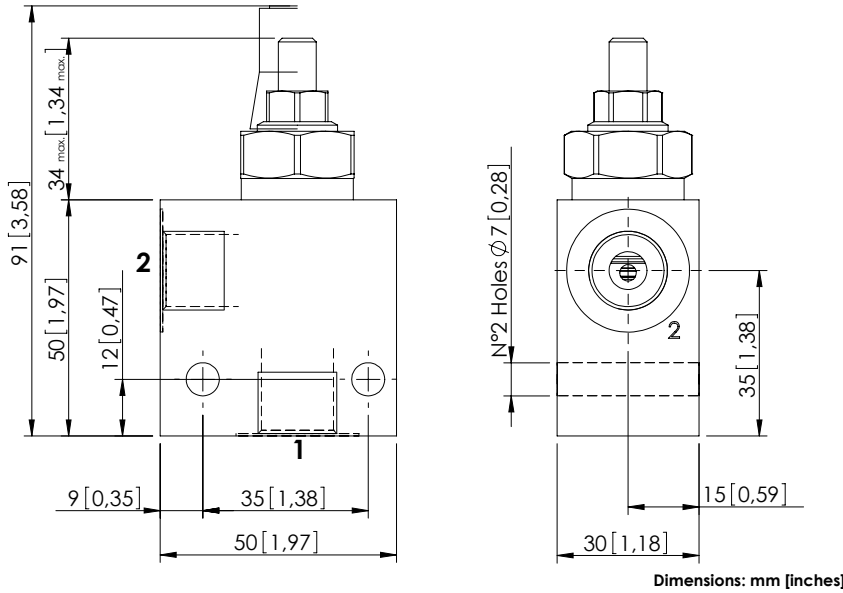
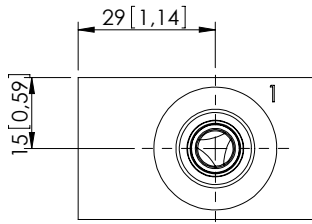


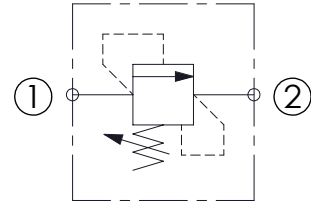
RELIEF VALVE IN BODY

KPLN-020-DPNA

DIRECT ACTING
STABILIZED PISTON



Dimensions: mm [inches]



SPECIFICATIONS

Max. operating pressure:	350 bar (5000 psi)
Rated flow:	20 l/min (5 gpm)
Manifold:	Aluminium
Weight:	0,25 kg (0,55 lbs)
Contamination class to ISO 4406:	See technical spec.
MTF _d :	150 years

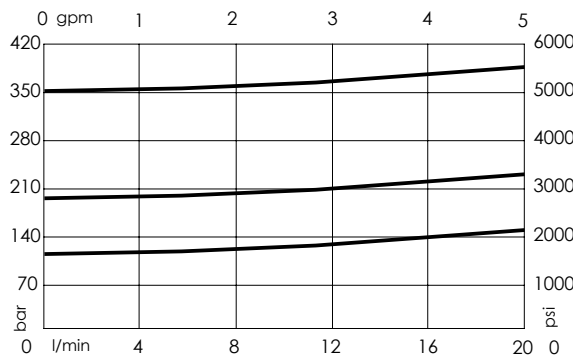
NOTES

SEALING CAP



Ordering code:
AT000020

CURVES



ORDERING CODES

Quick code	Description	Main ports size	Standard setting Q=5 l/min (1,3 gpm)	Adjustment range	Pressure increase
KP000010	KPLN-020-DPNA-SN-G38-N350	P,T : G 3/8"	350 bar (5000 psi)	175-350 bar (2500-5000 psi)	177 bar/turn (2500 psi/turn)
KP000037	KPLN-020-DPNA-SN-G38-N200	P,T : G 3/8"	200 bar (2900 psi)	105-210 bar (1500-3000 psi)	80 bar/turn (1200 psi/turn)
KP000038	KPLN-020-DPNA-SN-G38-N100	P,T : G 3/8"	100 bar (1400 psi)	35-140 bar (500-2000 psi)	49 bar/turn (700 psi/turn)
KP000008	KPLN-020-DPNA-SN-G14-N350	P,T : G 1/4"	350 bar (5000 psi)	175-350 bar (2500-5000 psi)	177 bar/turn (2500 psi/turn)
KP000039	KPLN-020-DPNA-SN-G14-N200	P,T : G 1/4"	200 bar (2900 psi)	105-210 bar (1500-3000 psi)	80 bar/turn (1200 psi/turn)
KP000040	KPLN-020-DPNA-SN-G14-N100	P,T : G 1/4"	100 bar (1400 psi)	35-140 bar (500-2000 psi)	49 bar/turn (700 psi/turn)