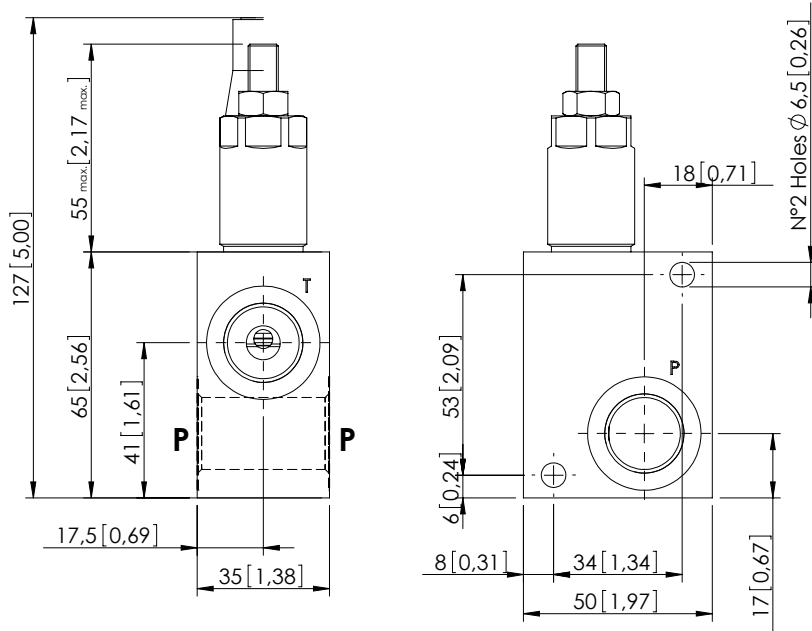
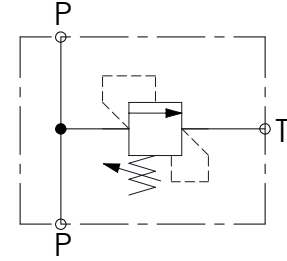


KPLN-030-DPNA

DIRECT ACTING
STABILIZED PISTON



SPECIFICATIONS

Max. operating pressure:	350 bar (5000 psi)
Rated flow:	30 l/min (8 gpm)
Manifold:	Aluminium
Weight:	0,4 kg (0,89 lbs)
Contamination class to ISO 4406:	See technical spec.
MTF _a :	150 years

NOTES

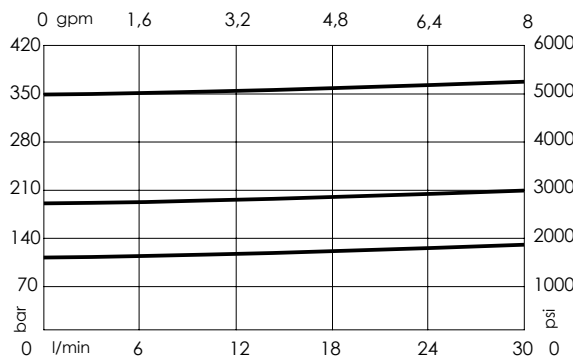
Codes available with steel manifold.

SEALING CAP



Ordering code:
AT000020

CURVES



ORDERING CODES

Quick code	Description	Main ports size	Standard setting Q=5 l/min (1,3 gpm)	Adjustment range	Pressure increase
KP000006	KPLN-030-DPNA-HN-G12-N350	P,T: G 1/2"	350 bar (5000 psi)	100-350 bar (1400-5000 psi)	91 bar/turn (1300 psi/turn)
KP000005	KPLN-030-DPNA-HN-G12-N200	P,T: G 1/2"	200 bar (2900 psi)	50-210 bar (700-3000 psi)	42 bar/turn (600 psi/turn)
KP000004	KPLN-030-DPNA-HN-G12-N100	P,T: G 1/2"	100 bar (1400 psi)	30-100 bar (400-1400 psi)	20 bar/turn (300 psi/turn)
KP000003	KPLN-030-DPNA-HN-G38-N350	P,T: G 3/8"	350 bar (5000 psi)	100-350 bar (1400-5000 psi)	91 bar/turn (1300 psi/turn)
KP000002	KPLN-030-DPNA-HN-G38-N200	P,T: G 3/8"	200 bar (2900 psi)	50-210 bar (700-3000 psi)	42 bar/turn (600 psi/turn)
KP000001	KPLN-030-DPNA-HN-G38-N100	P,T: G 3/8"	100 bar (1400 psi)	30-100 bar (400-1400 psi)	20 bar/turn (300 psi/turn)