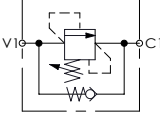
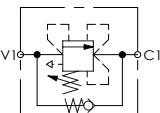
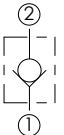
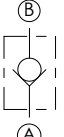

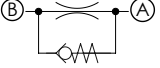




**ATLANTIC**  
Fluid Tech

In line  
valves

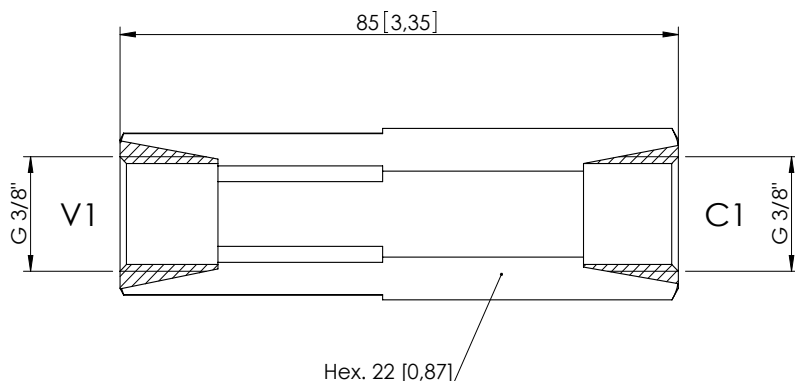
# IN LINE VALVES

Hydraulic scheme	Valve description	Valve type	Rated flow l/min (gpm)	Max. pressure bar (psi)	Installation	Main port size or cavity type	Page
	CPSN-060-DPGD	Direct acting, with anti-cavitation	60 (16)	350 (5000)	Sleve	G3/8"	1.00.010
	CPST-060-DHLD	Differential, compensated	60 (16)	350 (5000)	Sleve	G3/8"	1.00.020
	CPST-100-DHLD	Differential, compensated	100 (26)	350 (5000)	Sleve	G1/2"	1.00.030
	CDVN-015-SSNS	Sphere type, bidirectional	15 (4)	350 (5000)	Insert	G 1/4"	1.00.040
	CDVN-030-SSNS	Sphere type, bidirectional	30 (8)	350 (5000)	Insert	G 3/8"	1.00.050
	CDVN-050-SSNS	Sphere type, bidirectional	50 (13)	350 (5000)	Insert	G 1/2"	1.00.060
	CDVN-070-PSNS	Sphere type, bidirectional	70 (19)	350 (5000)	Insert	G1/2"	1.00.070
	CDVN-120-PSNS	Sphere type, bidirectional	120 (32)	350 (5000)	Insert	G3/4"	1.00.080
	CDVN-030-PSNC-MF	Poppet type	30 (8)	350 (5000)	Sleeve	G1/4"	1.00.090
	CDVN-050-PSNC-MF	Poppet type	50 (13)	350 (5000)	Sleeve	G3/8"	1.00.090
	CDVN-090-PSNC-MF	Poppet type	90 (24)	350 (5000)	Sleeve	G1/2"	1.00.090
	CDVN-150-PSNC-MF	Poppet type	150 (40)	350 (5000)	Sleeve	G3/4"	1.00.090
	CDVN-200-PSNC-MF	Poppet type	200 (53)	350 (5000)	Sleeve	G1"	1.00.090
	CDVN-250-PSNC-MF	Poppet type	250 (66)	350 (5000)	Sleeve	G1"1/4	1.00.090
	CDVN-030-PSNC-FF	Poppet type	30 (8)	350 (5000)	Sleeve	G1/4"	1.00.100
	CDVN-050-PSNC-FF	Poppet type	50 (13)	350 (5000)	Sleeve	G3/8"	1.00.100
	CDVN-090-PSNC-FF	Poppet type	90 (24)	350 (5000)	Sleeve	G1/2"	1.00.100
	CDVN-150-PSNC-FF	Poppet type	150 (40)	350 (5000)	Sleeve	G3/4"	1.00.100
	CDVN-200-PSNC-FF	Poppet type	200 (53)	350 (5000)	Sleeve	G1"	1.00.100
	CDVN-250-PSNC-FF	Poppet type	250 (66)	350 (5000)	Sleeve	G1"1/4	1.00.100
	CDFN-010-PSNC	Poppet type	10 (3)	350 (5000)	Sleeve	G1/4"	1.00.110

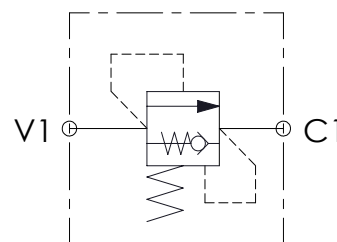
SEQUENCE SLEEVE VALVE

# CPSN-060-DPGD

DIRECT ACTING  
WITH ANTI-CAVITATION  
POPPET TYPE



Dimensions: mm [inches]



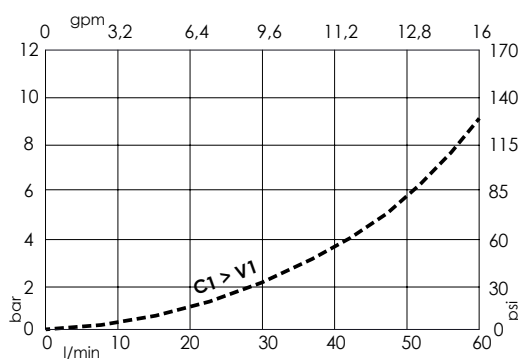
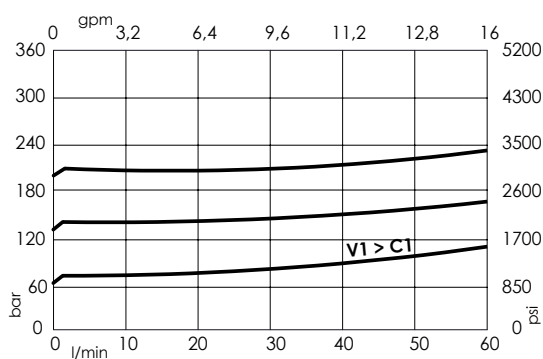
## SPECIFICATIONS

Max. operating pressure:	350 bar (5000 psi)
Rated flow:	60 l/min (16 gpm)
Ports:	G 3/8"
Weight:	0,2 kg (0,44 lbs)
Leakage:	1 cm <sup>3</sup> /min (0,06 in <sup>3</sup> /min) to 80% of nominal set point
Manifold:	Steel
Contamination class to ISO 4406:	See technical spec.
MTF <sub>d</sub> :	150 years

## NOTES

For other configurations/quick codes not available in this catalogue page please consult factory

## CURVES



## ORDERING CODES

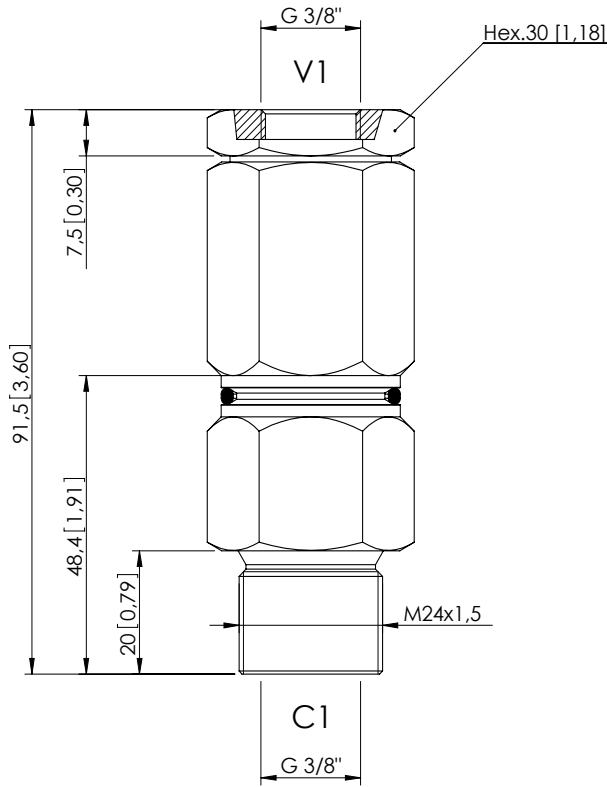
Quick code	Standard setting Q=1 l/min (0,3 gpm)	Quick code	Standard setting Q=1 l/min (0,3 gpm)	Quick code	Standard setting Q=1 l/min (0,3 gpm)	Quick code	Standard setting Q=1 l/min (0,3 gpm)
CP000194	20 bar (300 psi)	CP000203	80 bar (1200 psi)	CP000210	140 bar (2000 psi)	CP000216	200 bar (2900 psi)
CP000197	30 bar (400 psi)	CP000204	90 bar (1300 psi)	CP000211	150 bar (2200 psi)	CP000217	210 bar (3000 psi)
CP000198	40 bar (600 psi)	CP000205	100 bar (1400 psi)	CP000212	160 bar (2300 psi)		
CP000199	50 bar (700 psi)	CP000206	110 bar (1600 psi)	CP000213	170 bar (2500 psi)		
CP000200	60 bar (900 psi)	CP000207	120 bar (1700 psi)	CP000214	180 bar (2600 psi)		
CP000201	70 bar (1000 psi)	CP000208	130 bar (1900 psi)	CP000215	190 bar (2800 psi)		

Revision A1

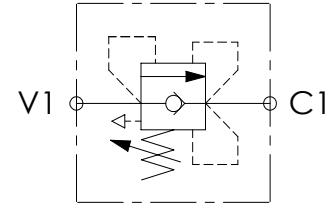
SEQUENCE VALVE

# CPST-060-DHLD

DIFFERENTIAL AREA COMPENSATED



Dimensions: mm [inches]



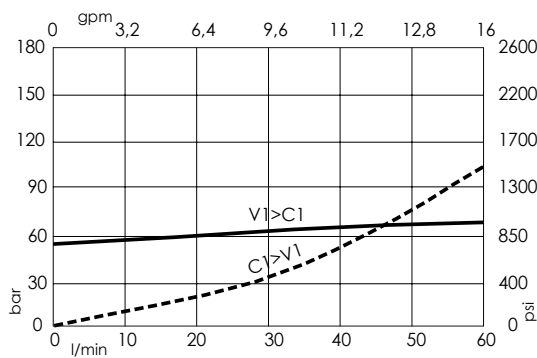
### SPECIFICATIONS

Max. operating pressure:	350 bar (5000 psi)
Rated flow:	60 l/min (16 gpm)
Body:	Steel
Weight:	0,39 kg (0,86 lbs)
Contamination class to ISO 4406:	See technical spec.
MTTF <sub>d</sub> :	150 years

### NOTES

For other configurations/quick codes not available in this catalogue page please consult factory

### CURVES



### ORDERING CODES

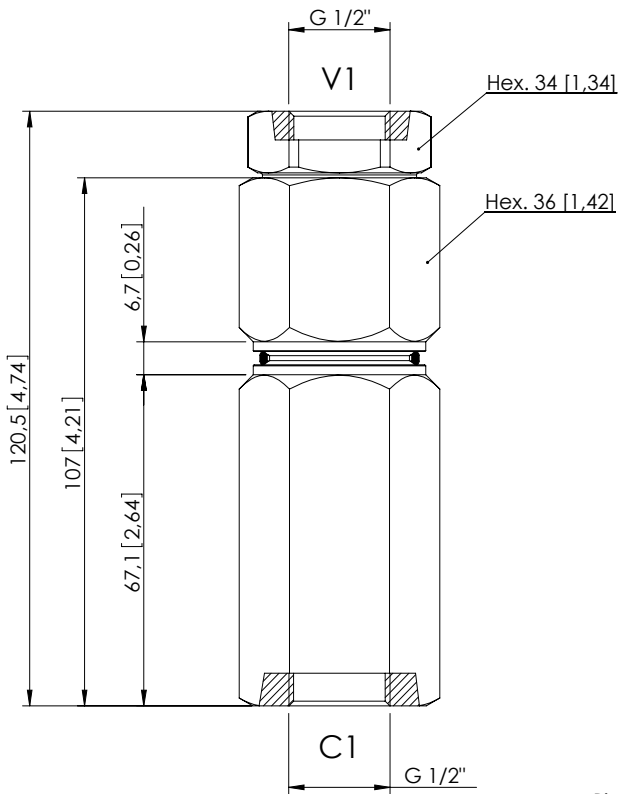
Quick code	Description	Main ports size	Standard setting Q=5 l/min (1,3 gpm)	Adjustment range	Pressure increase
CP000091	CPST-060-DHLD-GN-G38-N100	V1,C1 : G 3/8"	100 bar (1400 psi)	50-140 bar (700-2000 psi)	26 bar/turn (400 psi/turn)
CP000435	CPST-060-DHLD-GN-G38-N120	V1,C1 : G 3/8"	120 bar (1700 psi)	50-140 bar (700-2000 psi)	26 bar/turn (400 psi/turn)

Revision A1

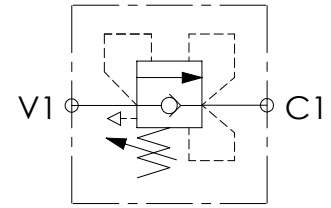
SEQUENCE VALVE

# CPST-100-DHLD

DIFFERENTIAL AREA  
POPPET TYPE  
COMPENSATED



Dimensions: mm [inches]



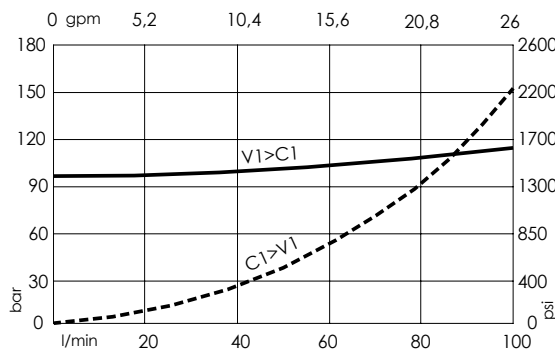
## SPECIFICATIONS

Max. operating pressure:	350 bar (5000 psi)
Rated flow:	100 l/min (26 gpm)
Body:	Steel
Weight:	0,82 kg (1,81 lbs)
Contamination class to ISO 4406:	See technical spec.
MTF <sub>d</sub> :	150 years

## NOTES

For other configurations/quick codes not available in this catalogue page please consult factory

## CURVES



## ORDERING CODES

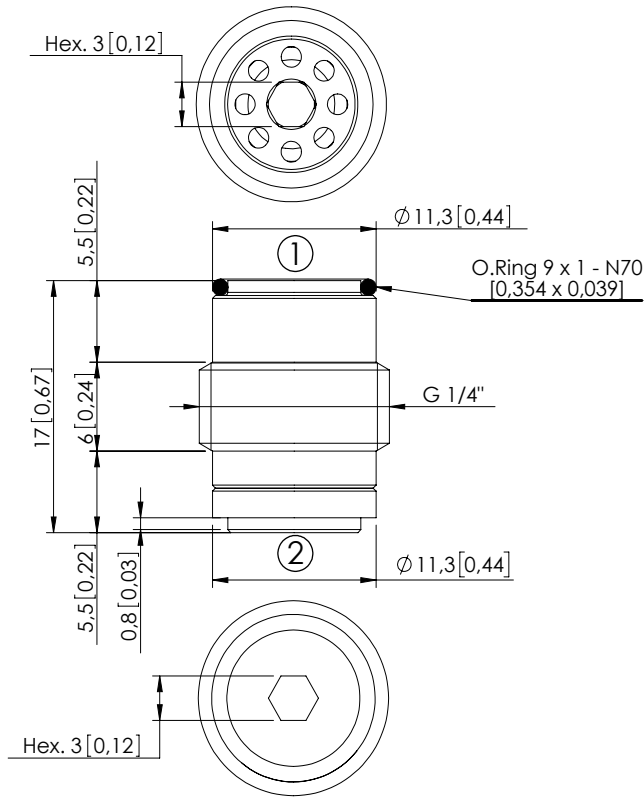
Quick code	Description	Main ports size	Standard setting Q=5 l/min (1,3 gpm)	Adjustment range	Pressure increase
CP000092	CPST-100-DHLD-GN-G12-N140	V1,C1: G1/2"	100 bar (1400 psi)	50-140 bar (700-2000 psi)	27 bar/turn (400 psi/turn)
CP000269	CPST-100-DHLD-GN-G12-N220	V1,C1: G1/2"	200 bar (2900 psi)	100-220 bar (1400-3200 psi)	39 bar/turn (550 psi/turn)

Revision B1

CHECK VALVE

# CDVN-015-SSNS

MONO-DIRECTIONAL  
SPHERE TYPE



## SPECIFICATIONS

Max. operating pressure:	350 bar (5000 psi)
Rated flow:	15 l/min (4 gpm)
Cavity:	VP000098
Weight:	0,01 kg (0,02 lbs)
Contamination class to ISO 4406:	See technical spec.
Installation torque:	6 Nm (4,5 ft-lb)
MTF <sub>d</sub> :	150 years

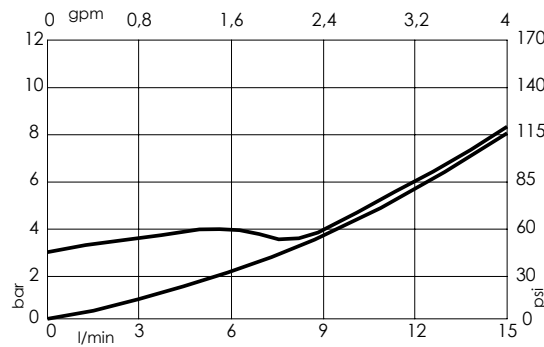
Dimensions: mm [inches]

## NOTES

Bidirectional installations. Fit O-Ring to side first inserted in cavity.

For other configurations/quick codes not available in this catalogue page please consult factory

## CURVES



## ORDERING CODES

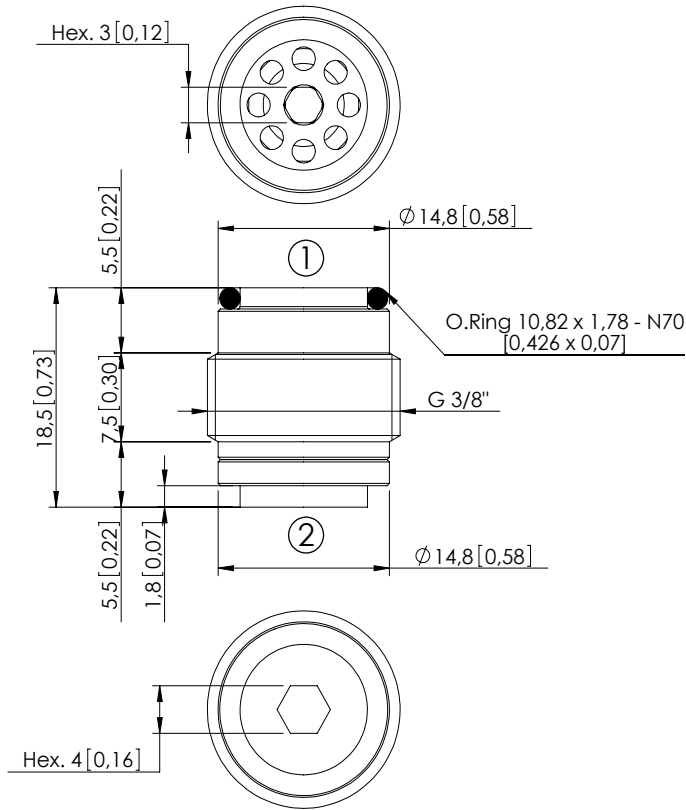
Quick code	Description	Cracking pressure	
CD000026	CDVN-015-SSNS-FN-098-N003	3 bar (50 psi)	
CD000043	CDVN-015-SSNS-FN-098-N000	0	

Revision A1

CHECK VALVE

# CDVN-030-SSNS

MONO DIRECTIONAL  
SPHERE TYPE



## SPECIFICATIONS

Max. operating pressure:	350 bar (5000 psi)
Rated flow:	30 l/min (8 gpm)
Cavity:	VP000310
Weight:	0,02 kg (0,04 lbs)
Contamination class to ISO 4406:	See technical spec.
Installation torque:	8 Nm (6 ft-lb)
MTTFa:	150 years

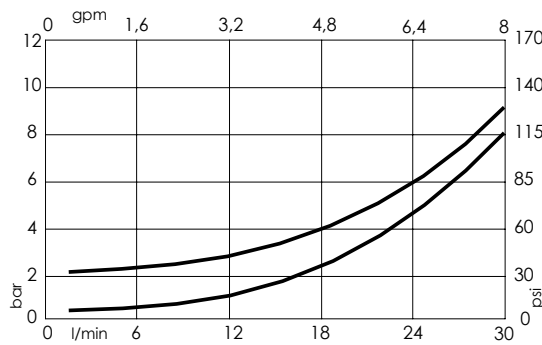
Dimensions: mm [inches]

## NOTES

Bidirectional installations. Fit O-Ring to side first inserted in cavity.

For other configurations/quick codes not available in this catalogue page please consult factory

## CURVES



## ORDERING CODES

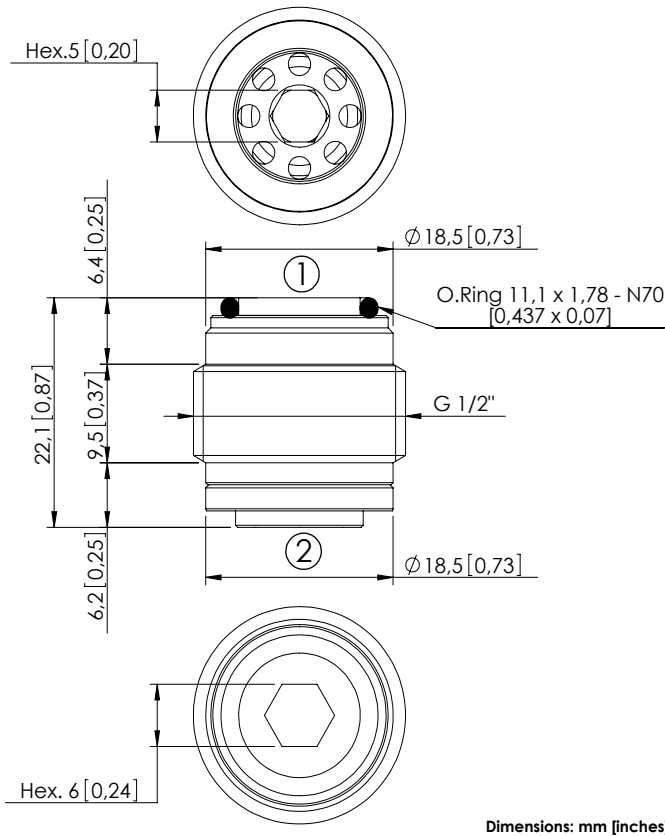
Quick code	Description	Cracking pressure	
CD000029	CDVN-030-SSNS-FN-310-N002	2 bar (25 psi)	
CD000058	CDVN-030-SSNS-FN-310-N000	0	

Revision A1

CHECK VALVE

# CDVN-050-SSNS

BIDIRECTIONAL  
SPHERE TYPE



## SPECIFICATIONS

Max. operating pressure:	350 bar (5000 psi)
Rated flow:	50 l/min (13 gpm)
Cavity:	VP000158
Weight:	0,04 kg (0,09 lbs)
Contamination class to ISO 4406:	See technical spec.
Installation torque:	25 Nm (19 ft-lb)
MTF <sub>d</sub> :	150 years

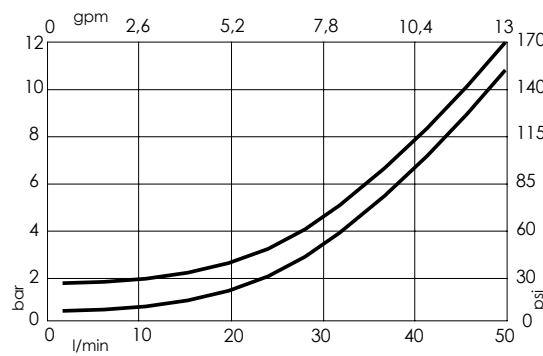
Dimensions: mm [inches]

## NOTES

Bidirectional installations. Fit O-Ring to side first inserted in cavity.

For other configurations/quick codes not available in this catalogue page please consult factory

## CURVES



## ORDERING CODES

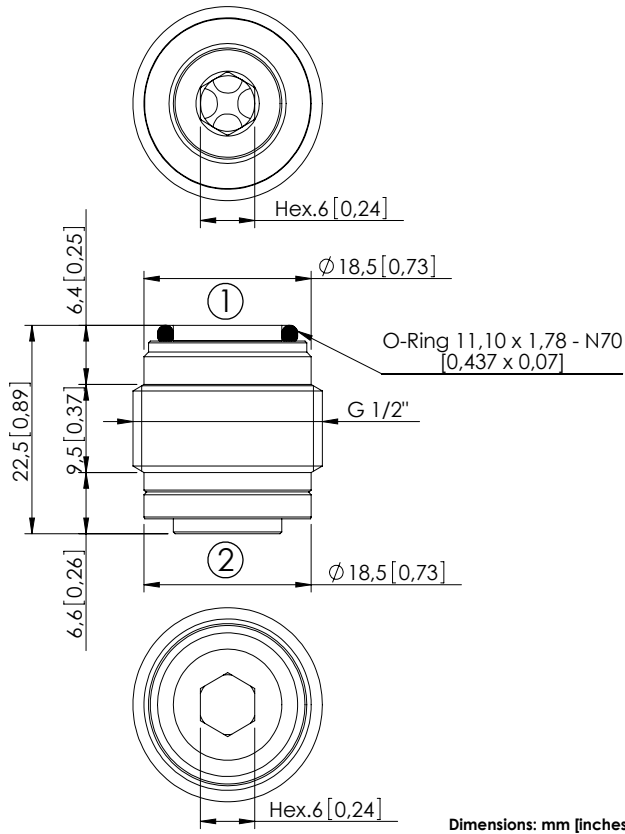
Quick code	Description	Cracking pressure	
CD000098	CDVN-050-SSNS-FN-158-N002	1,5 bar (25 psi)	
CD000059	CDVN-050-SSNS-FN-158-N000	0	

Revision A1



# CDVN-070-PSNS

BIDIRECTIONAL  
POPPET TYPE



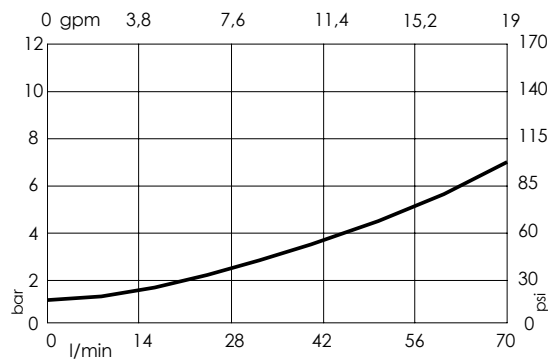
## SPECIFICATIONS

Max. operating pressure:	350 bar (5000 psi)
Rated flow:	70 l/min (19 gpm)
Cavity:	VP000158
Weight:	0,04 kg (0,09 lbs)
Contamination class to ISO 4406:	See technical spec.
Installation torque:	25 - 30 Nm (18 - 22 ft-lb)
MTF <sub>a</sub> :	150 years

## NOTES

Bidirectional installations. Fit O-Ring to side first inserted in cavity.  
For other configurations/quick codes not available in this catalogue page please consult factory

## CURVES



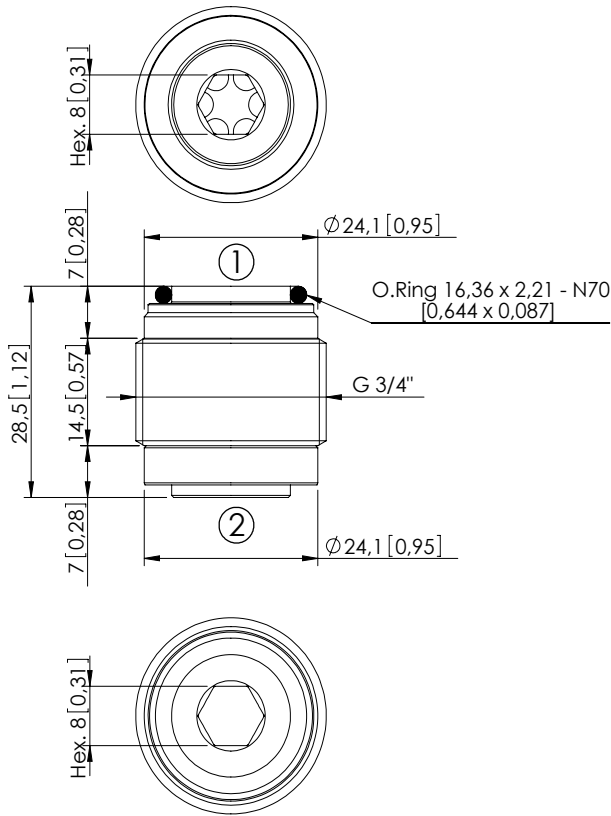
## ORDERING CODES

Quick code	Description	Cracking pressure
CD000107	CDVN-070-PSNS-FN-158-N001	1 bar (15 psi)

CHECK VALVE

# CDVN-120-PSNS

BIDIRECTIONAL  
POPPET TYPE



## SPECIFICATIONS

Max. operating pressure:	350 bar (5000 psi)
Rated flow:	120 l/min (32 gpm)
Cavity:	VP000202
Weight:	0,08 kg (0,18 lbs)
Contamination class to ISO 4406:	See technical spec.
Installation torque:	60 - 75 Nm (44 - 55 ft-lb)
MTTFa:	150 years

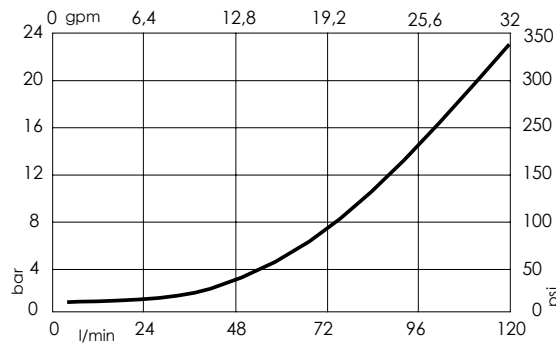
Dimensions: mm [inches]

## NOTES

Bidirectional installations. Fit O-Ring to side first inserted in cavity.

For other configurations/quick codes not available in this catalogue page please consult factory

## CURVES



## ORDERING CODES

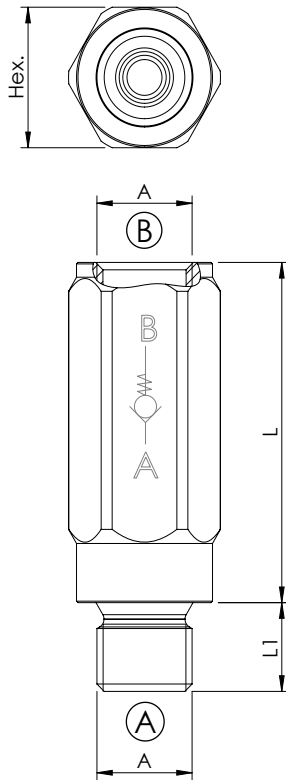
Quick code	Description	Cracking pressure
CD000106	CDVN-120-PSNS-FN-202-N001	1 bar (15 psi)

Revision A1

CHECK VALVE

# CDVN-XXX-PSNC

SLEEVE  
POPPEY TYPE

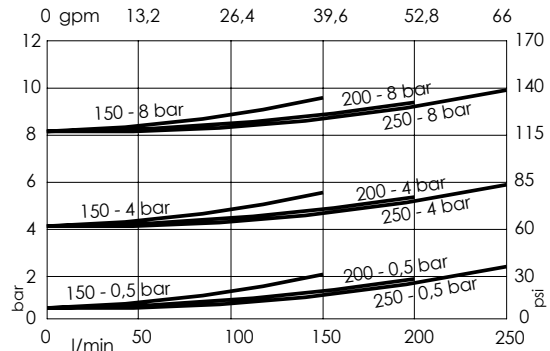
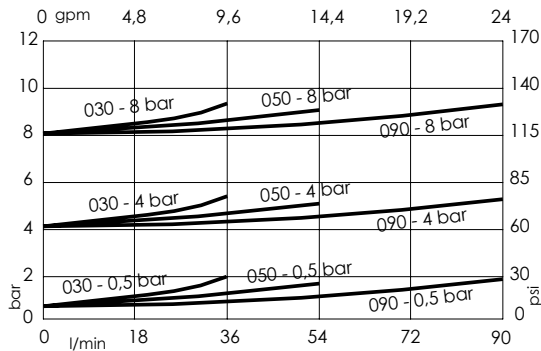


## SPECIFICATIONS

Max. operating pressure:	350 bar (5000 psi)
Rated flow:	30 - 250 l/min (8 - 66 gpm)
Body:	Zinc plated steel
Weight:	0,09 - 1,47 kg (0,2 - 3,24 lbs)
Contamination class to ISO 4406:	See technical spec.
MTF <sub>d</sub> :	150 years

Dimensions: mm [inches]

## CURVES



## ORDERING CODES

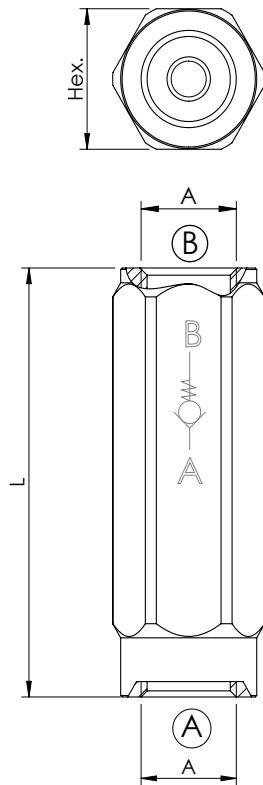
Quick code	Description	Rated flow	Cracking pressure	Dimension			
				A	L	L1	HEX
CD000425	CDVN-030-PSNC-MF-G14-N008	30 l/min (8 gpm)	8 bar (100 psi)	G 1/4"	46 [1,81]	12 [0,47]	19 [0,75]
CD000424	CDVN-030-PSNC-MF-G14-N004	30 l/min (8 gpm)	4 bar (50 psi)	G 1/4"	46 [1,81]	12 [0,47]	19 [0,75]
CD000423	CDVN-030-PSNC-MF-G14-N001	30 l/min (8 gpm)	0,5 bar (5 psi)	G 1/4"	46 [1,81]	12 [0,47]	19 [0,75]
CD000428	CDVN-050-PSNC-MF-G38-N008	50 l/min (13 gpm)	8 bar (100 psi)	G 3/8"	50 [1,97]	12 [0,47]	24 [0,95]
CD000427	CDVN-050-PSNC-MF-G38-N004	50 l/min (13 gpm)	4 bar (50 psi)	G 3/8"	50 [1,97]	12 [0,47]	24 [0,95]
CD000426	CDVN-050-PSNC-MF-G38-N001	50 l/min (13 gpm)	0,5 bar (5 psi)	G 3/8"	50 [1,97]	12 [0,47]	24 [0,95]
CD000136	CDVN-090-PSNC-MF-G12-N008	90 l/min (24 gpm)	8 bar (100 psi)	G 1/2"	58 [2,28]	14 [0,55]	30 [1,18]
CD000291	CDVN-090-PSNC-MF-G12-N004	90 l/min (24 gpm)	4 bar (50 psi)	G 1/2"	58 [2,28]	14 [0,55]	30 [1,18]
CD000142	CDVN-090-PSNC-MF-G12-N001	90 l/min (24 gpm)	0,5 bar (5 psi)	G 1/2"	58 [2,28]	14 [0,55]	30 [1,18]
CD000139	CDVN-150-PSNC-MF-G34-N008	150 l/min (40 gpm)	8 bar (100 psi)	G 3/4"	60 [2,36]	16 [0,63]	36 [1,42]
CD000292	CDVN-150-PSNC-MF-G34-N004	150 l/min (40 gpm)	4 bar (50 psi)	G 3/4"	60 [2,36]	16 [0,63]	36 [1,42]
CD000143	CDVN-150-PSNC-MF-G34-N001	150 l/min (40 gpm)	0,5 bar (5 psi)	G 3/4"	60 [2,36]	16 [0,63]	36 [1,42]
CD000140	CDVN-200-PSNC-MF-G10-N008	200 l/min (53 gpm)	8 bar (100 psi)	G 1"	88 [3,47]	18 [0,71]	45 [1,77]
CD000293	CDVN-200-PSNC-MF-G10-N004	200 l/min (53 gpm)	4 bar (50 psi)	G 1"	88 [3,47]	18 [0,71]	45 [1,77]
CD000144	CDVN-200-PSNC-MF-G10-N001	200 l/min (53 gpm)	0,5 bar (5 psi)	G 1"	88 [3,47]	18 [0,71]	45 [1,77]
CD000141	CDVN-250-PSNC-MF-G11-N008	250 l/min (66 gpm)	8 bar (100 psi)	G 1" 1/4	102 [4,01]	20 [0,79]	55 [2,17]
CD000294	CDVN-250-PSNC-MF-G11-N004	250 l/min (66 gpm)	4 bar (50 psi)	G 1" 1/4	102 [4,01]	20 [0,79]	55 [2,17]
CD000145	CDVN-250-PSNC-MF-G11-N001	250 l/min (66 gpm)	0,5 bar (5 psi)	G 1" 1/4	102 [4,01]	20 [0,79]	55 [2,17]

Revision B1

CHECK VALVE

# CDVN-XXX-PSNC

SLEEVE  
POPPEY TYPE

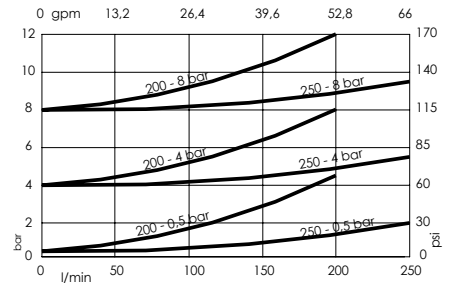
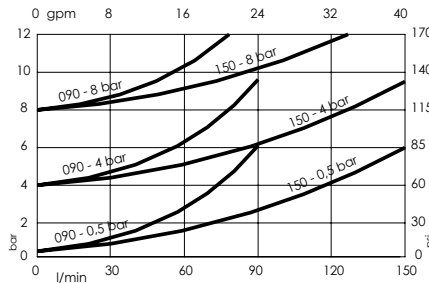
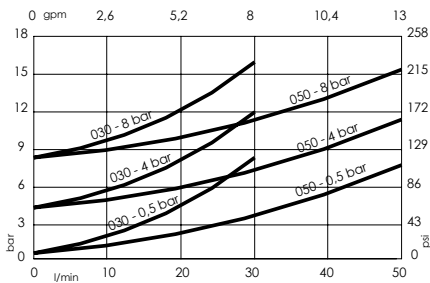


## SPECIFICATIONS

Max. operating pressure:	350 bar (5000 psi)
Rated flow:	30 - 250 l/min (8 - 66 gpm)
Body:	Zinc plated steel
Weight:	0,1 - 1,59 kg (0,22 - 3,51 lbs)
Contamination class to ISO 4406:	See technical spec.
MTF <sub>d</sub> :	150 years

Dimensions: mm [inches]

## CURVES



## ORDERING CODES

Quick code	Description	Rated flow	Cracking pressure	Dimension		
				A	L	HEX
CD000324	CDVN-030-PSNC-FF-G14-N008	30 l/min (8 gpm)	8 bar (100 psi)	G 1/4"	58 [2,28]	19 [0,75]
CD000312	CDVN-030-PSNC-FF-G14-N004	30 l/min (8 gpm)	4 bar (50 psi)	G 1/4"	58 [2,28]	19 [0,75]
CD000317	CDVN-030-PSNC-FF-G14-N001	30 l/min (8 gpm)	0,5 bar (5 psi)	G 1/4"	58 [2,28]	19 [0,75]
CD000323	CDVN-050-PSNC-FF-G38-N008	50 l/min (13 gpm)	8 bar (100 psi)	G 3/8"	62 [2,44]	24 [0,95]
CD000318	CDVN-050-PSNC-FF-G38-N004	50 l/min (13 gpm)	4 bar (50 psi)	G 3/8"	62 [2,44]	24 [0,95]
CD000212	CDVN-050-PSNC-FF-G38-N001	50 l/min (13 gpm)	0,5 bar (5 psi)	G 3/8"	62 [2,44]	24 [0,95]
CD000277	CDVN-090-PSNC-FF-G12-N008	90 l/min (24 gpm)	8 bar (100 psi)	G 1/2"	75 [2,95]	30 [1,18]
CD000287	CDVN-090-PSNC-FF-G12-N004	90 l/min (24 gpm)	4 bar (50 psi)	G 1/2"	75 [2,95]	30 [1,18]
CD000281	CDVN-090-PSNC-FF-G12-N001	90 l/min (24 gpm)	0,5 bar (5 psi)	G 1/2"	75 [2,95]	30 [1,18]
CD000278	CDVN-150-PSNC-FF-G34-N008	150 l/min (40 gpm)	8 bar (100 psi)	G 3/4"	83 [3,27]	36 [1,42]
CD000421	CDVN-150-PSNC-FF-G34-N006	150 l/min (40 gpm)	6 bar (75 psi)	G 3/4"	83 [3,27]	36 [1,42]
CD000288	CDVN-150-PSNC-FF-G34-N004	150 l/min (40 gpm)	4 bar (50 psi)	G 3/4"	83 [3,27]	36 [1,42]
CD000282	CDVN-150-PSNC-FF-G34-N001	150 l/min (40 gpm)	0,5 bar (5 psi)	G 3/4"	83 [3,27]	36 [1,42]
CD000279	CDVN-200-PSNC-FF-G10-N008	200 l/min (53 gpm)	8 bar (100 psi)	G 1"	106 [4,17]	45 [1,77]
CD000289	CDVN-200-PSNC-FF-G10-N004	200 l/min (53 gpm)	4 bar (50 psi)	G 1"	106 [4,17]	45 [1,77]
CD000283	CDVN-200-PSNC-FF-G10-N001	200 l/min (53 gpm)	0,5 bar (5 psi)	G 1"	106 [4,17]	45 [1,77]
CD000280	CDVN-250-PSNC-FF-G11-N008	250 l/min (66 gpm)	8 bar (100 psi)	G 1" 1/4	127 [5]	55 [2,17]
CD000290	CDVN-250-PSNC-FF-G11-N004	250 l/min (66 gpm)	4 bar (50 psi)	G 1" 1/4	127 [5]	55 [2,17]
CD000284	CDVN-250-PSNC-FF-G11-N001	250 l/min (66 gpm)	0,5 bar (5 psi)	G 1" 1/4	127 [5]	55 [2,17]

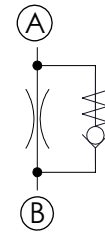
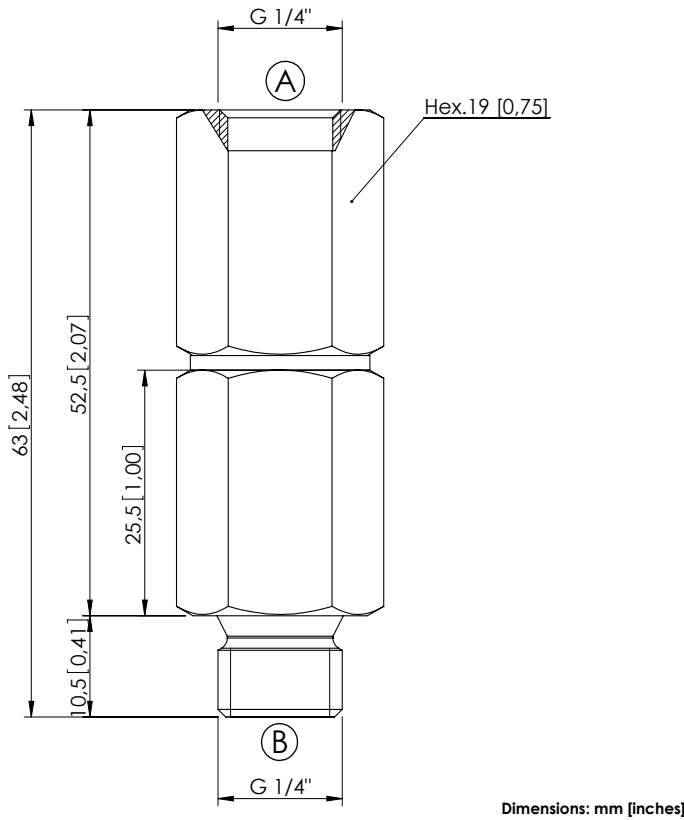
Revision B1

FLOW RESTRICTOR



# CDFN-010-PSNC

MONO DIRECTIONAL  
NOT COMPENSATED



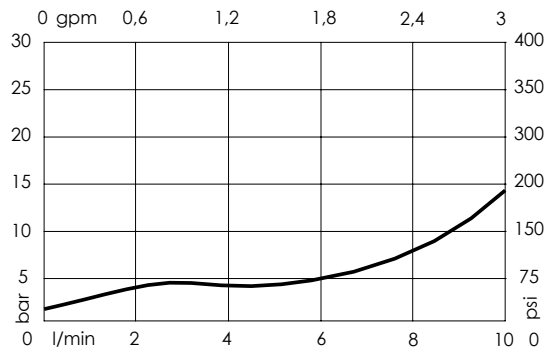
## SPECIFICATIONS

Max. operating pressure:	350 bar (5000 psi)
Rated flow (A to B):	10 l/min (3 gpm)
Material:	Steel
Weight:	0,11 kg (0,24 lbs)
Contamination class to ISO 4406:	See technical spec.
MTTF:	150 years

## NOTES

For other configurations/quick codes not available in this catalogue page please consult factory

## CURVES



Quick code	Description	Cracking Pressure	Ports	Ø Hole
CD000084	CDFN-010-PSNC-05-G14-N350	5 bar (75 psi)	A,B: G 1/4"	0,5 mm (0,019 inch)
CD000085	CDFN-010-PSNC-06-G14-N350	5 bar (75 psi)	A,B: G 1/4"	0,6 [0,023]
CD000086	CDFN-010-PSNC-07-G14-N350	5 bar (75 psi)	A,B: G 1/4"	0,7 [0,027]
CD000087	CDFN-010-PSNC-08-G14-N350	5 bar (75 psi)	A,B: G 1/4"	0,8 [0,031]
CD000089	CDFN-010-PSNC-10-G14-N350	5 bar (75 psi)	A,B: G 1/4"	1 [0,039]
CD000091	CDFN-010-PSNC-13-G14-N350	5 bar (75 psi)	A,B: G 1/4"	1,3 [0,051]
CD000167	CDFN-010-PSNC-03-G14-N350	5 bar (75 psi)	A,B: G 1/4"	0,5 & wire 0,4 [0,019 & wire 0,016]
CD000168	CDFN-010-PSNC-04-G14-N350	5 bar (75 psi)	A,B: G 1/4"	0,6 & wire 0,4 [0,023 & wire 0,016]

Revision A1