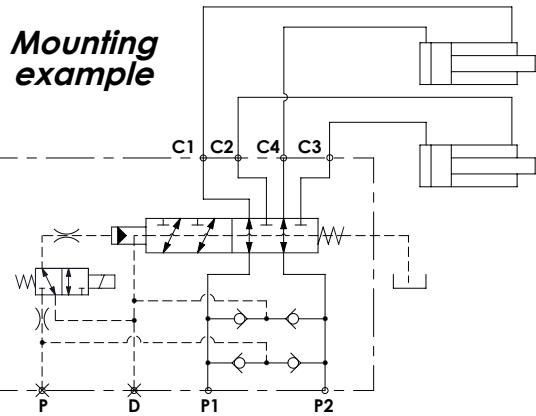
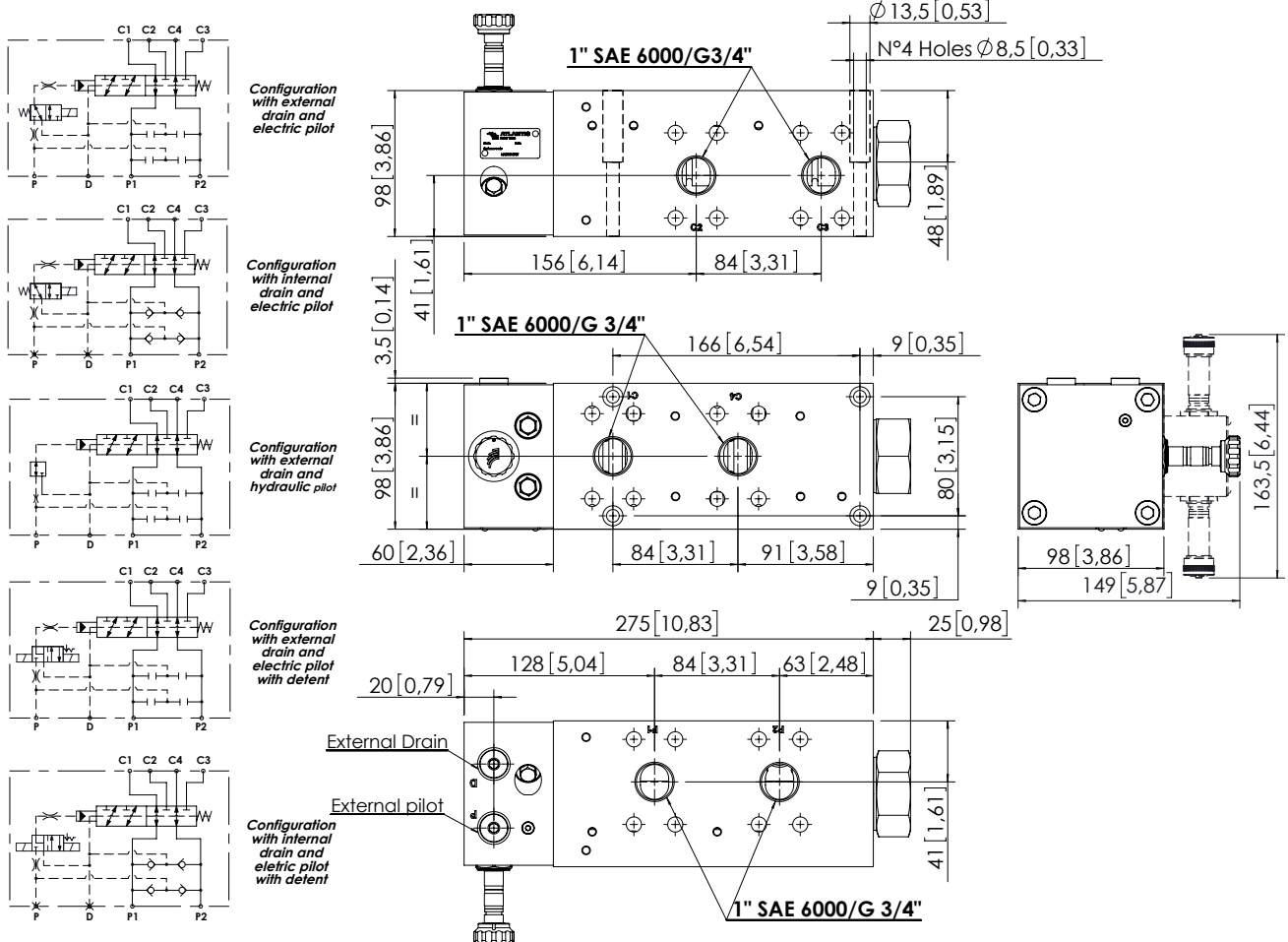


Technical data			
Rated flow		l/min (gpm)	400 (106)
Operating pressure	with internal drain "N"	bar (psi)	210 (3000)
	with external drain "E"	bar (psi)	420 (6000)
Minimum pilot pressure		bar (psi)	20 (290)
Valve weight		Kg (lb)	17,2 (38)
Standard Ports	1" SAE 6000		



OVERALL DIMENSIONS

Dimensions: mm [inches]

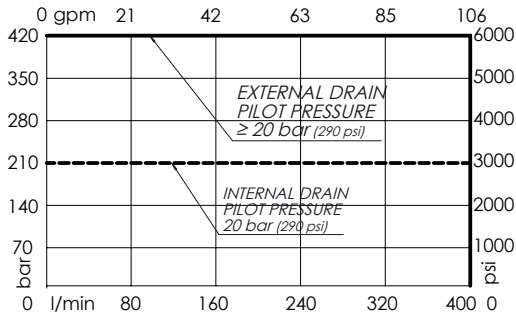


Characteristic curves

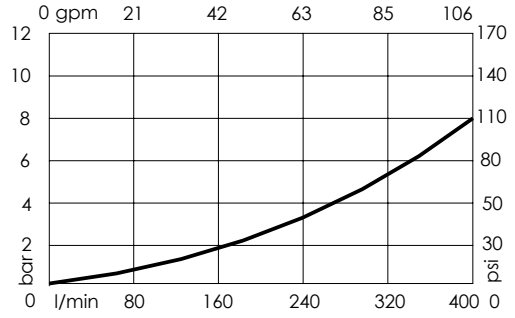
With pressure and flow in P1 or P2 and C4 and C1 without pressure



MAXIMUM PERFORMANCE



PRESSURE DROP



* OPERATED	Circuit
H Hydraulic 	
E Electric 	
D Electric with detent 	

Max. pilot pressure with external drain: 250 bar

* DRAIN	Circuit
N Internal	
E External	

* COIL	Type	Protection class
-	Without coil	
HR	DIN 43650 - ISO 4400 Class H	M7 IP65
AJ	AMP JUNIOR Class H	M7 IP65
DT	DEUTSCH DT04-2P-L Class H	M7 IP69

* or M3 coil type

PORTS		
***	Main (C)	Drain (D) Pilot (P)
S10 G34	1" SAE 6000 G3/4"	1/4" Gas

Special port sizes available

ELFB - 400 - * S F * - 01 - * - * ** ***

* Voltage (V)	Resistance (Ω) ± 7%	Power (W)	Current (A)
-	Without coil		
A	12 DC	7,2	20
B	24 DC	28,7	20

Special voltages available on request

KIT	Type	Ordering code
HP	Hydraulic pilot	RG100032
EP	Electrical pilot	CE000824
ID	Internal drain	RG100033
ED	External drain	RG100034

